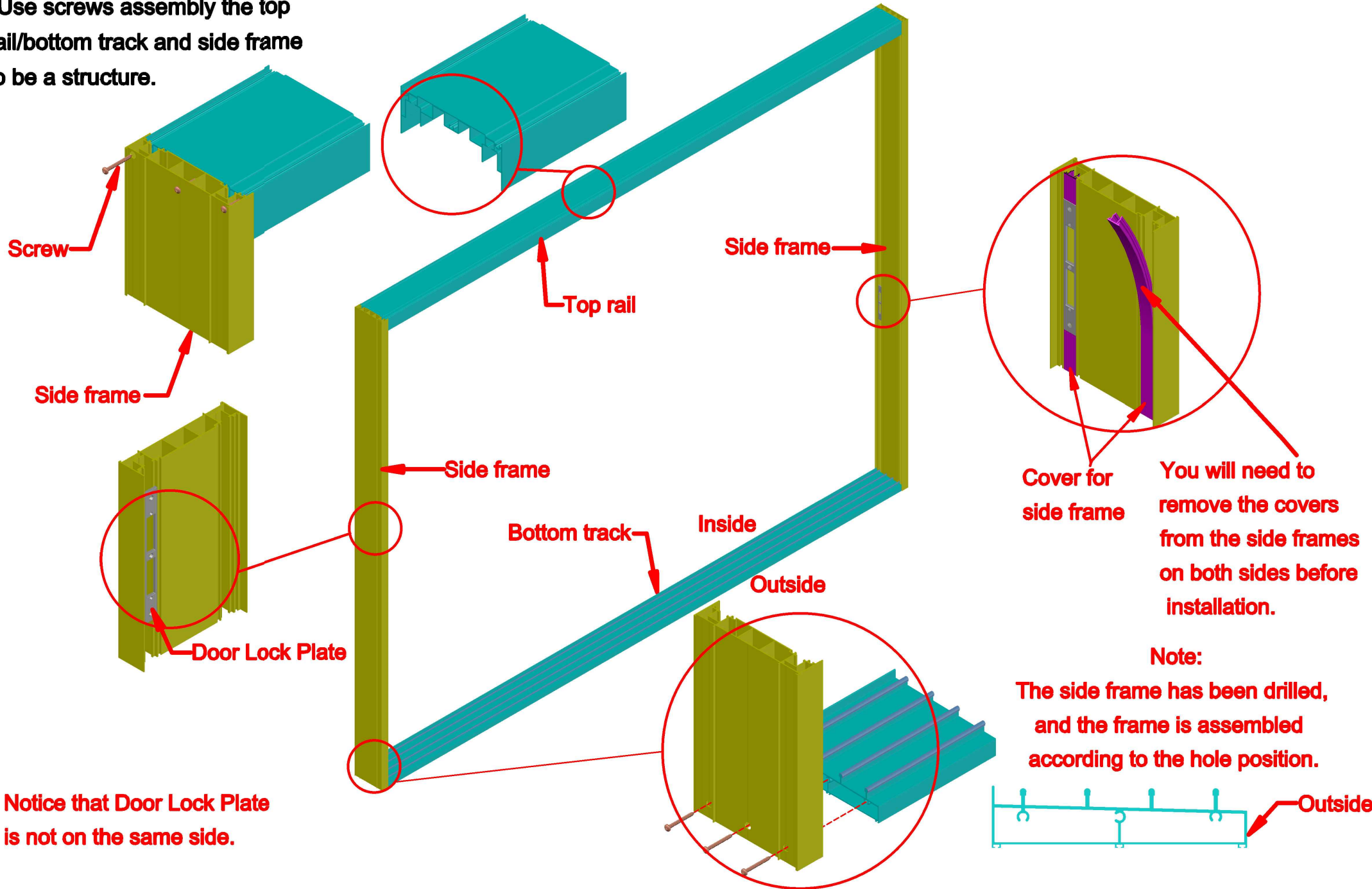


# Four Panels with Four Rails Slim Framed Sliding Glass Door Installation Manual

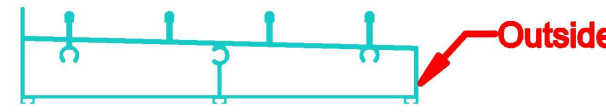
1. Use screws assembly the top rail/bottom track and side frame to be a structure.



You will need to remove the covers from the side frames on both sides before installation.

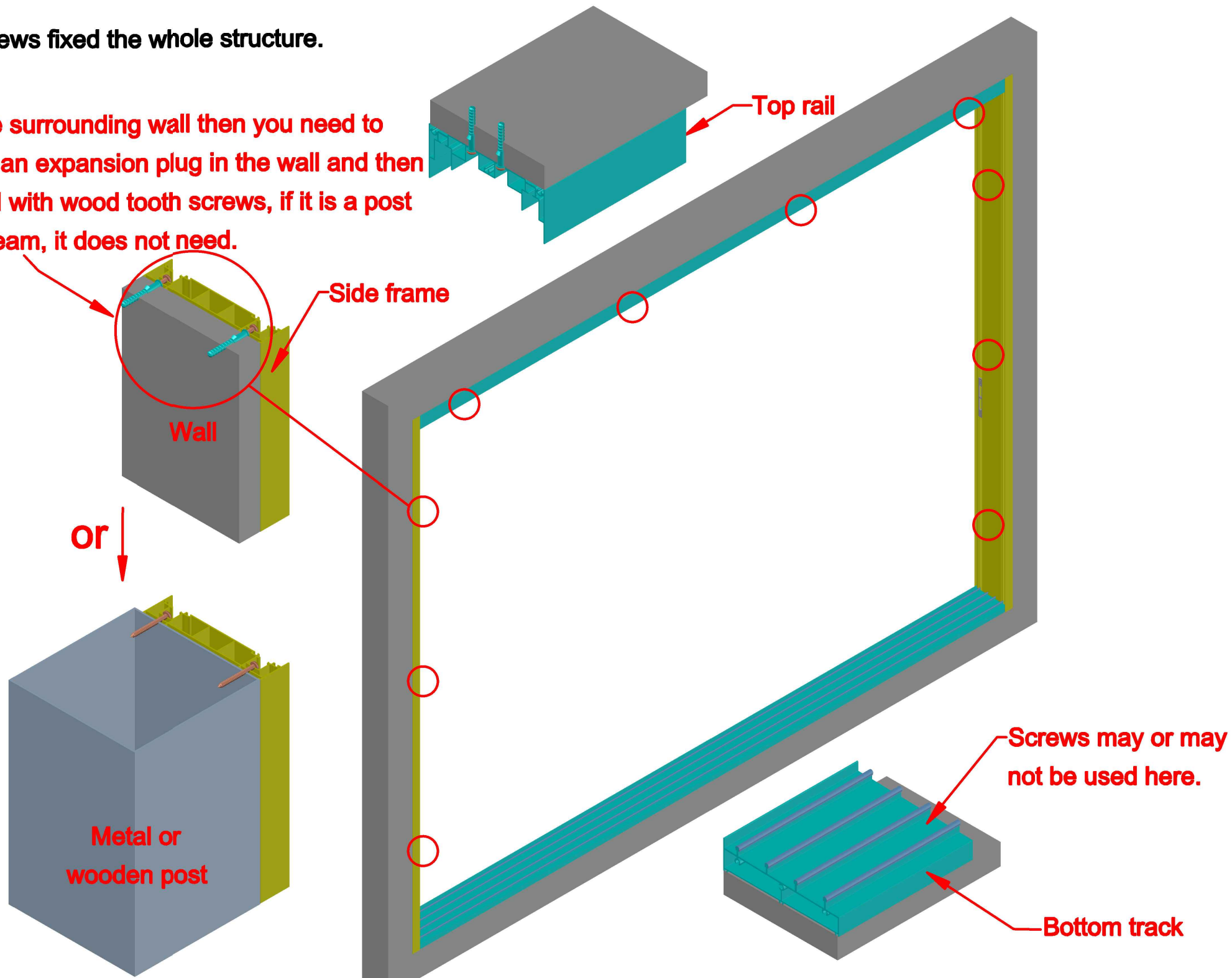
Note:  
The side frame has been drilled, and the frame is assembled according to the hole position.

Notice that Door Lock Plate is not on the same side.

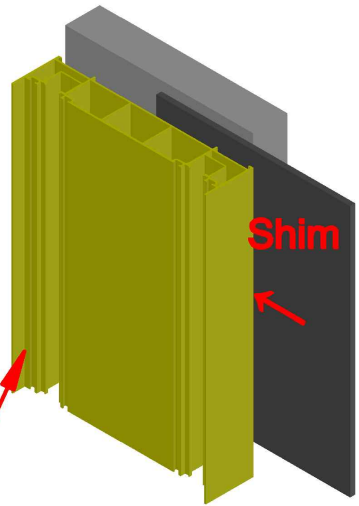
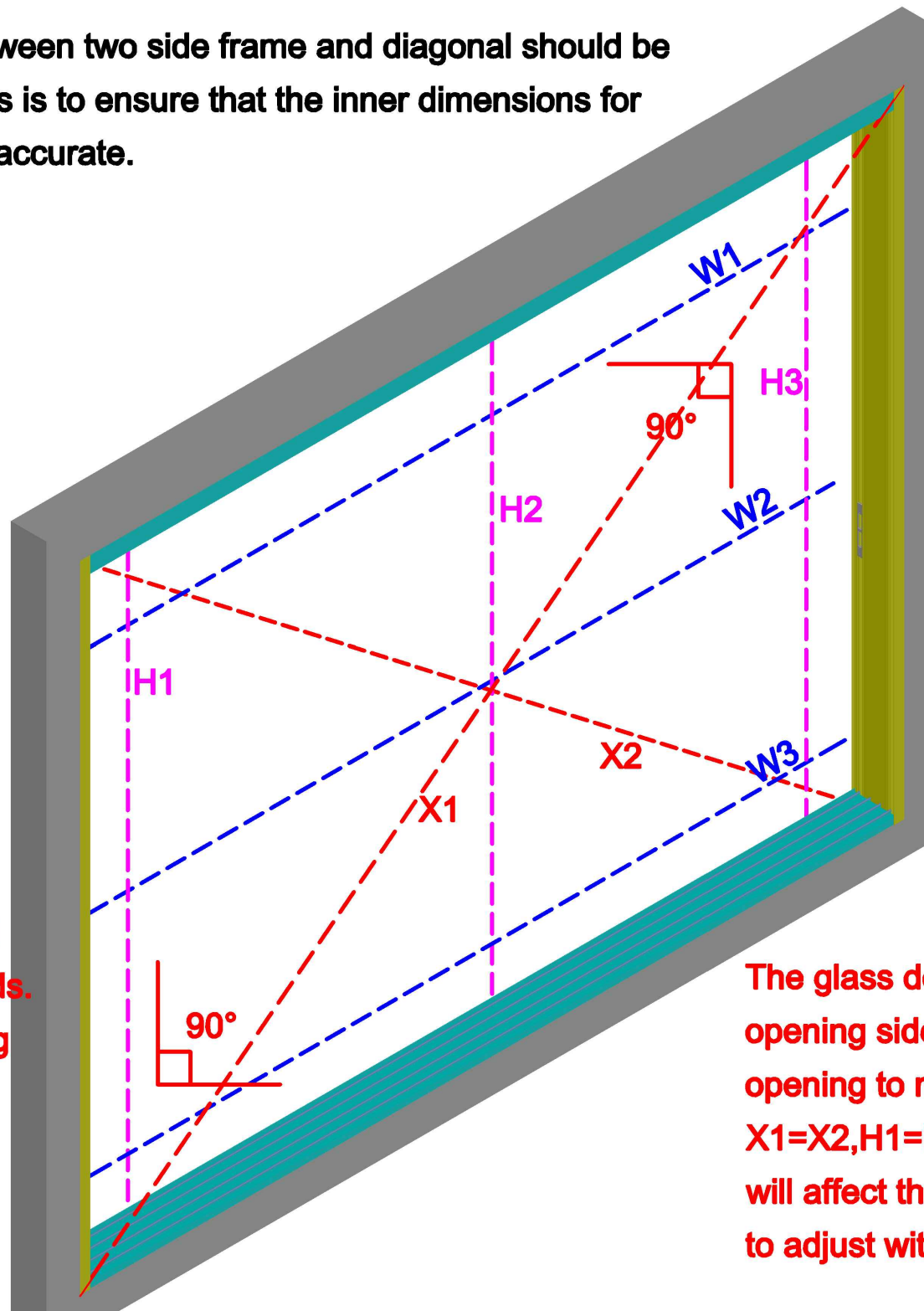


## 2. Use screws fixed the whole structure.

If the surrounding wall then you need to play an expansion plug in the wall and then fixed with wood tooth screws, if it is a post or beam, it does not need.



3. As shown, the width between two side frame and diagonal should be measured and leveled. This is to ensure that the inner dimensions for installing the glass door is accurate.



Shim

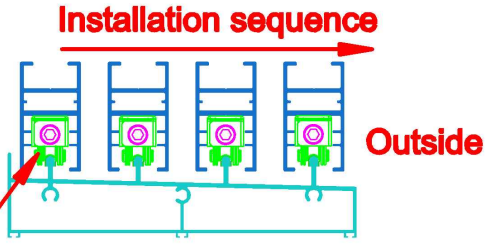
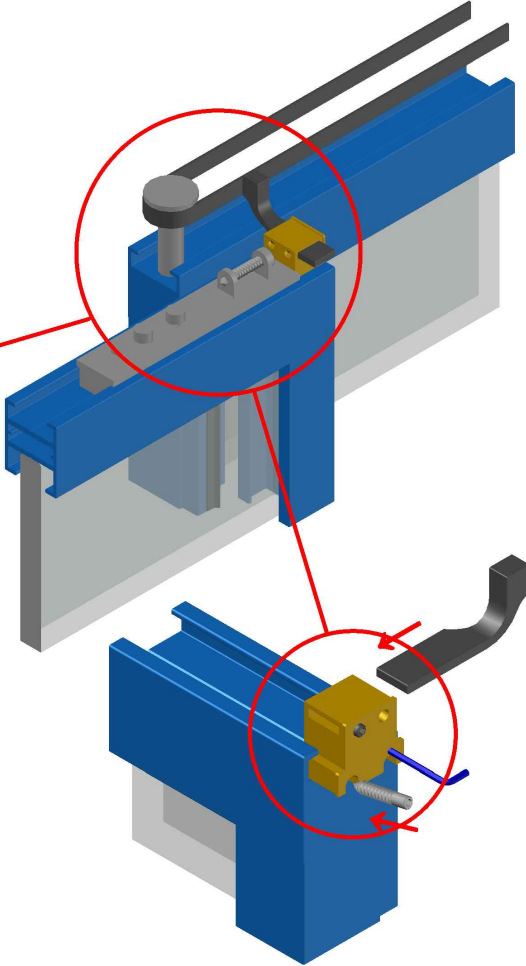
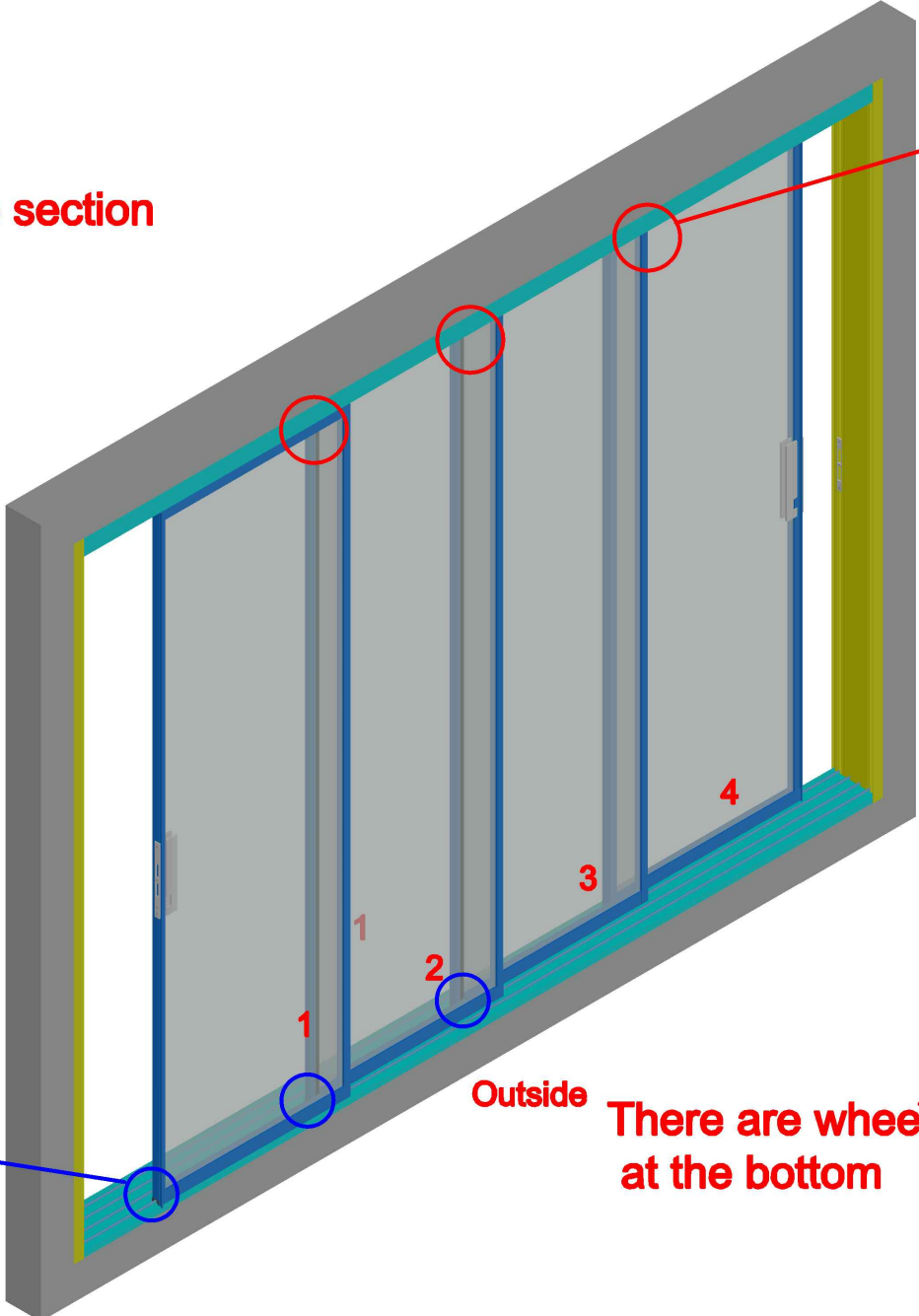
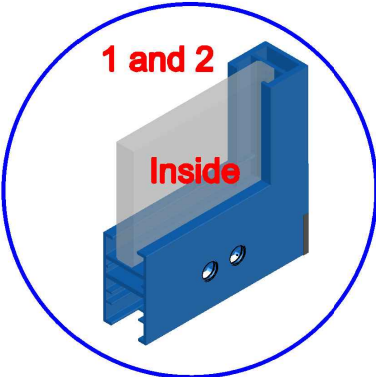
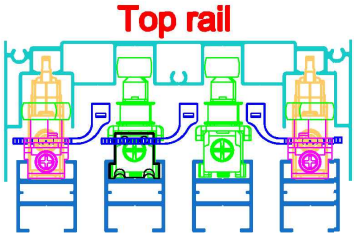
If there is still a gap after adjustment, it can be leveled by adding shims or other pads. Please fix the shim according to the site(not provided).

Note:

The glass door install inside any type of opening sidewall, it must adjust the size of opening to make sure  $(W1=W2=W3; X1=X2, H1=H2=H3)$  all equal and fix. If not, it will affect the glass door operation. It is best to adjust with a level gauge.

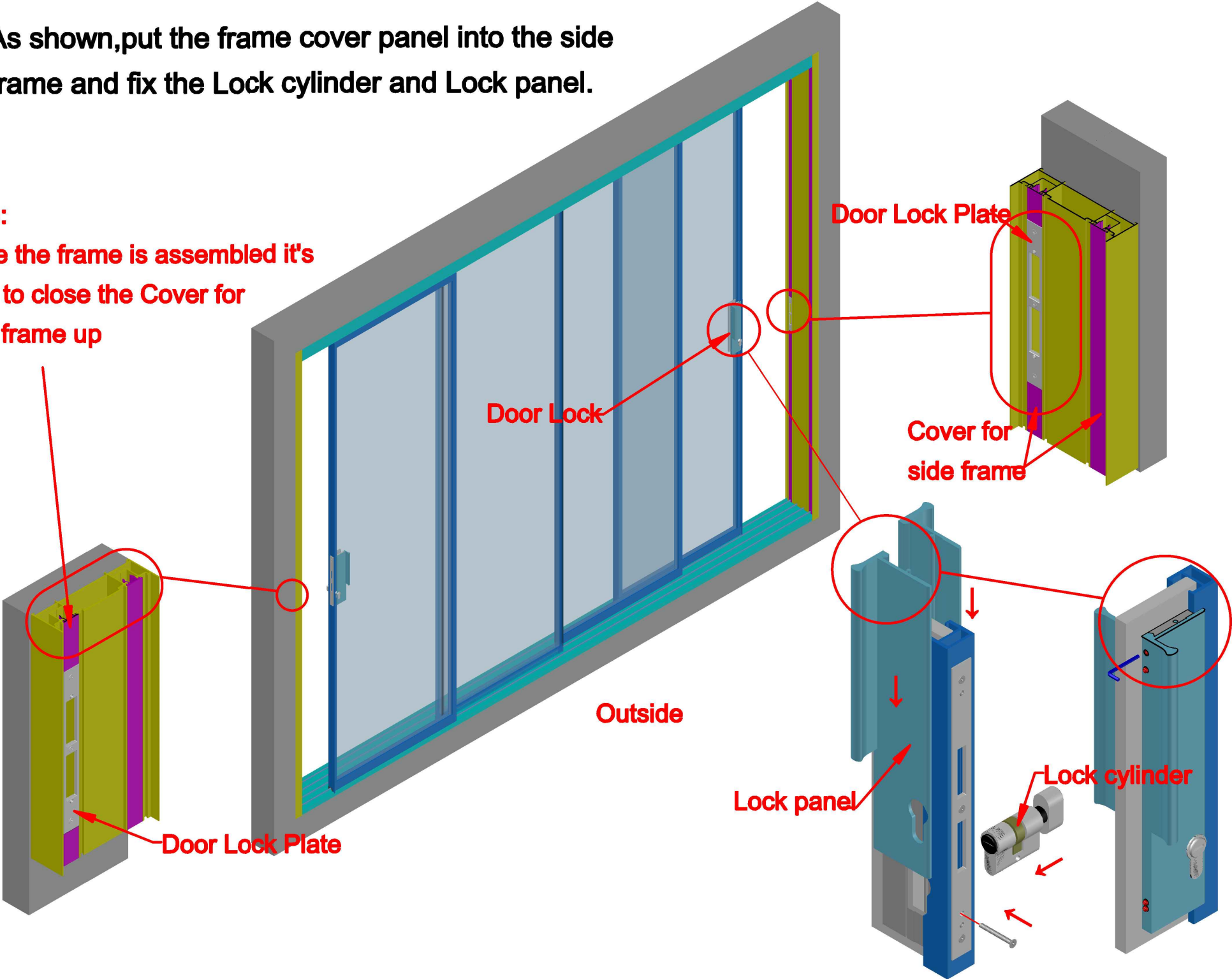
# 4. Assembling the glass door to the track and attaching the top of the glass door.

**Note:** Please note the section direction.



5. As shown, put the frame cover panel into the side frame and fix the Lock cylinder and Lock panel.

**Note:**  
Once the frame is assembled it's time to close the Cover for side frame up



Door Lock Plate

Door Lock

Cover for side frame

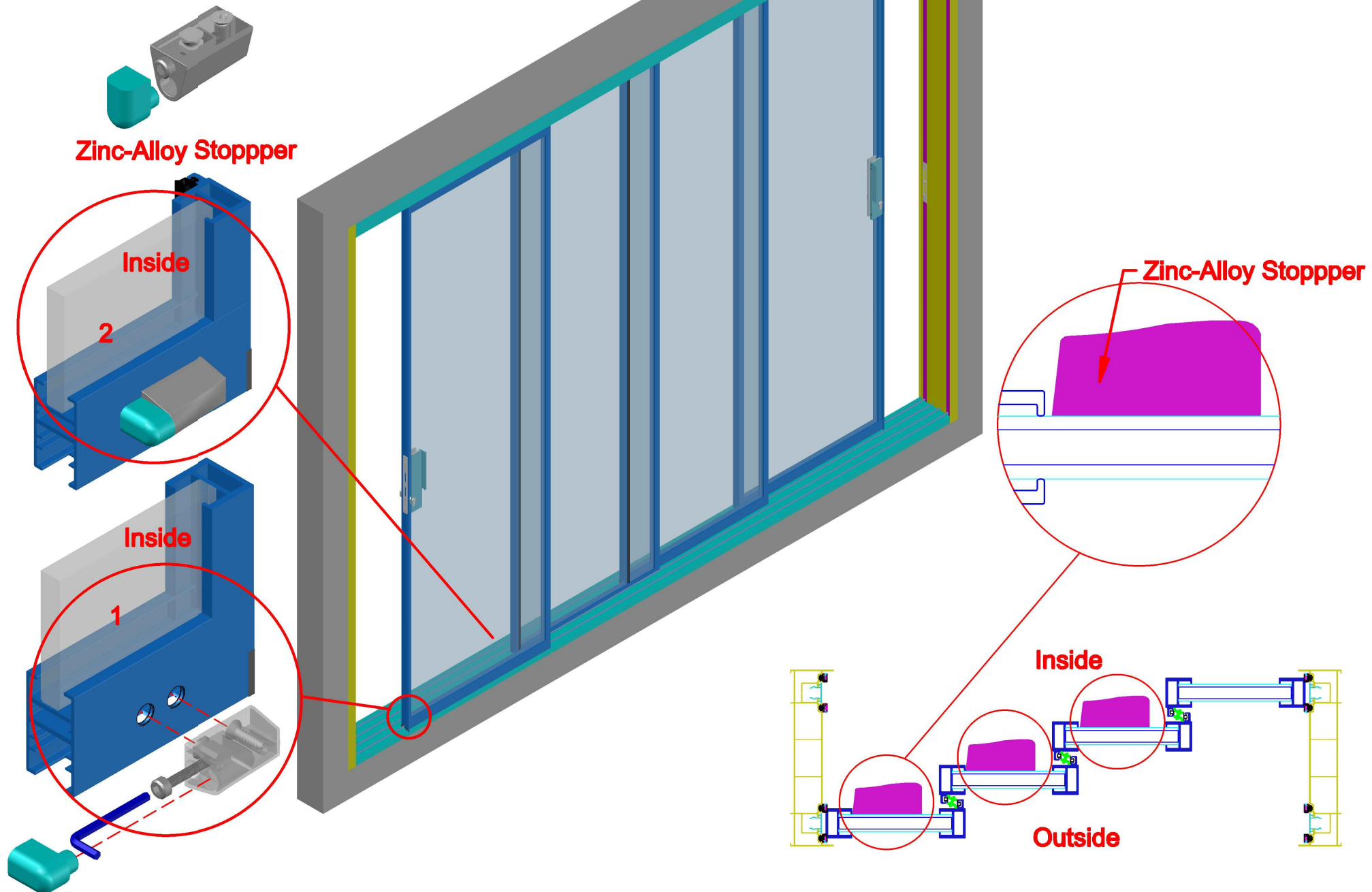
Door Lock Plate

Outside

Lock panel

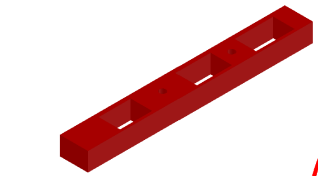
Lock cylinder

# 6. Put the Zinc-Alloy Stopper to the glass door .

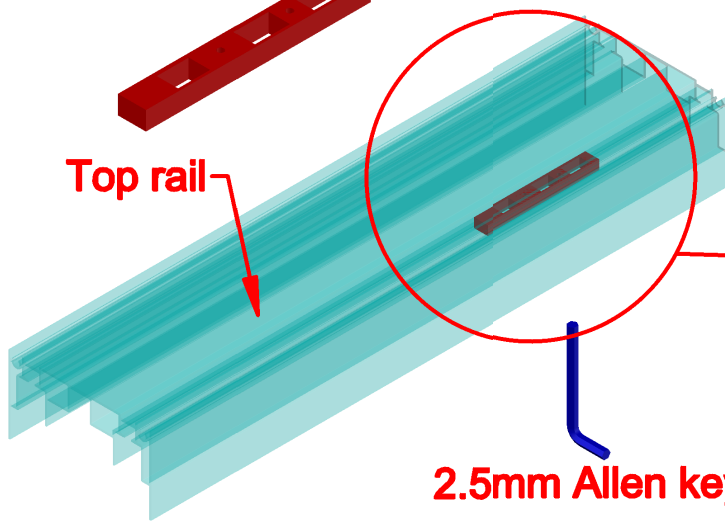


## 7. Function and adjustment of Buffer limit block.

Buffer limit block

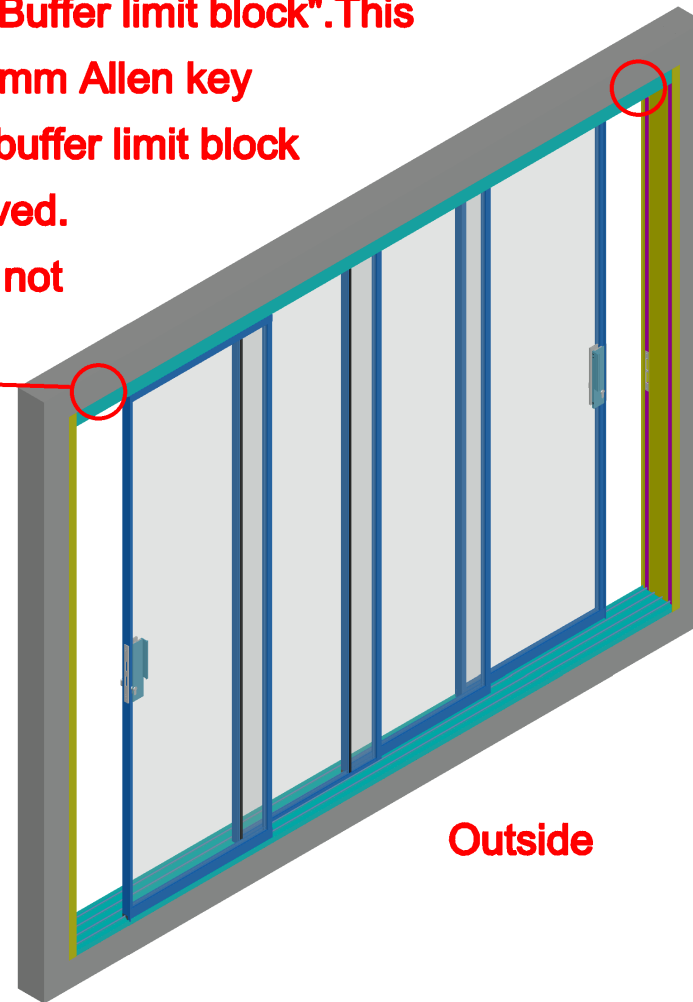


Top rail



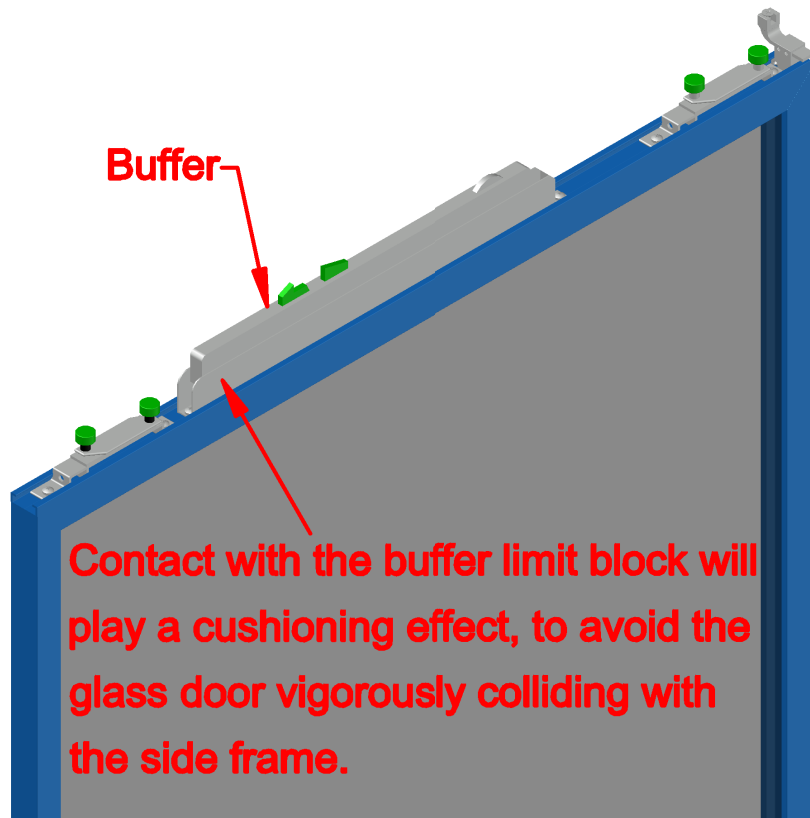
2.5mm Allen key

Note: 1. Top rail fitted with "Buffer limit block". This can be adjusted with a 2.5mm Allen key adjustment. Make the the buffer limit block is left and right can be moved. (Adjust only if the buffer is not effective).



Outside

Buffer

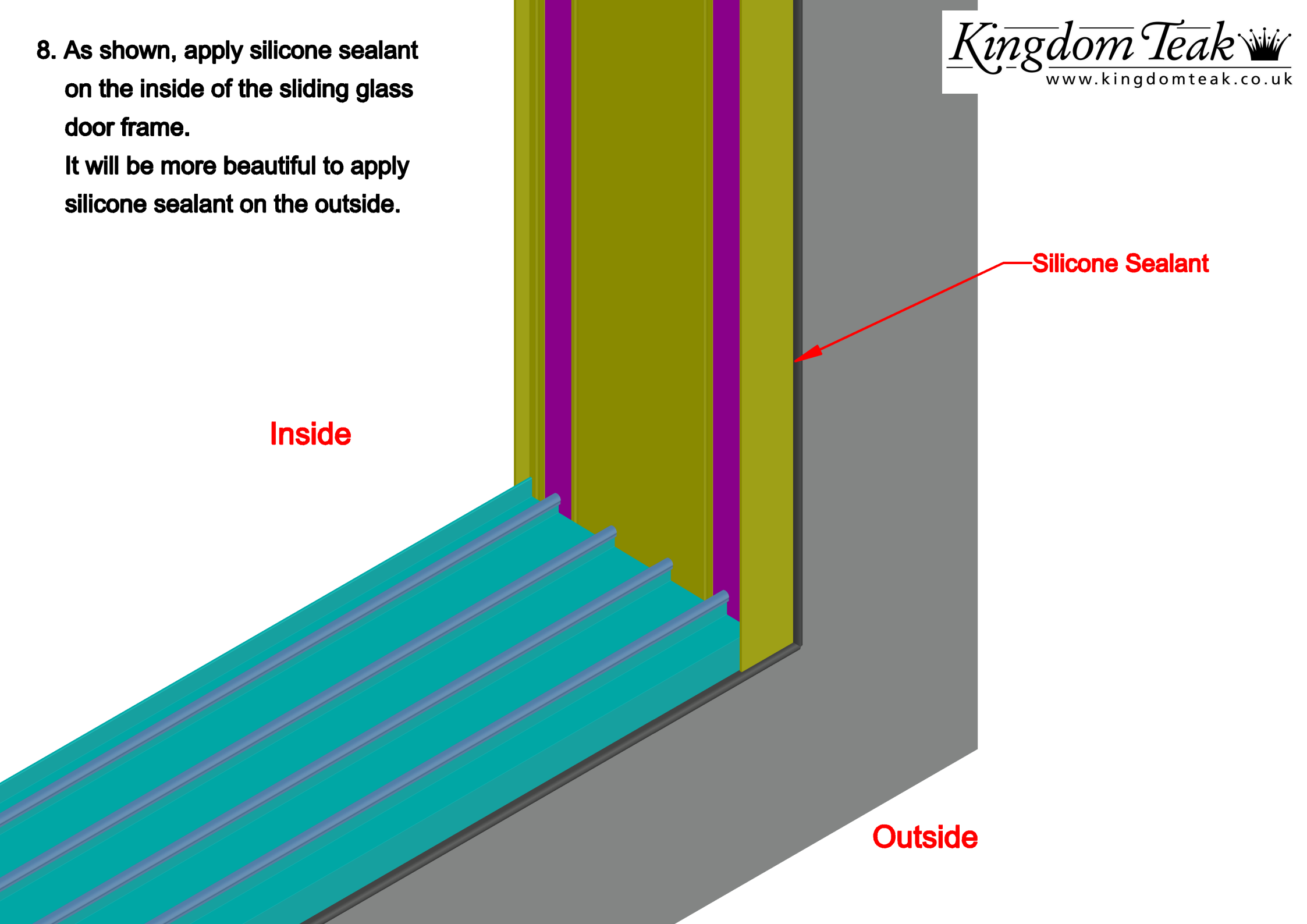


Contact with the buffer limit block will play a cushioning effect, to avoid the glass door vigorously colliding with the side frame.

3. The buffers are commissioned at the factory. In the later user installation, if buffer does not reach the ideal state, the buffer limit block can be adjusted.  
2. If the door is too low for the top buffer to work with A, you can adjust the pulleys at the bottom of the glass door to lift it up

8. As shown, apply silicone sealant on the inside of the sliding glass door frame.

It will be more beautiful to apply silicone sealant on the outside.



Inside

Silicone Sealant

Outside