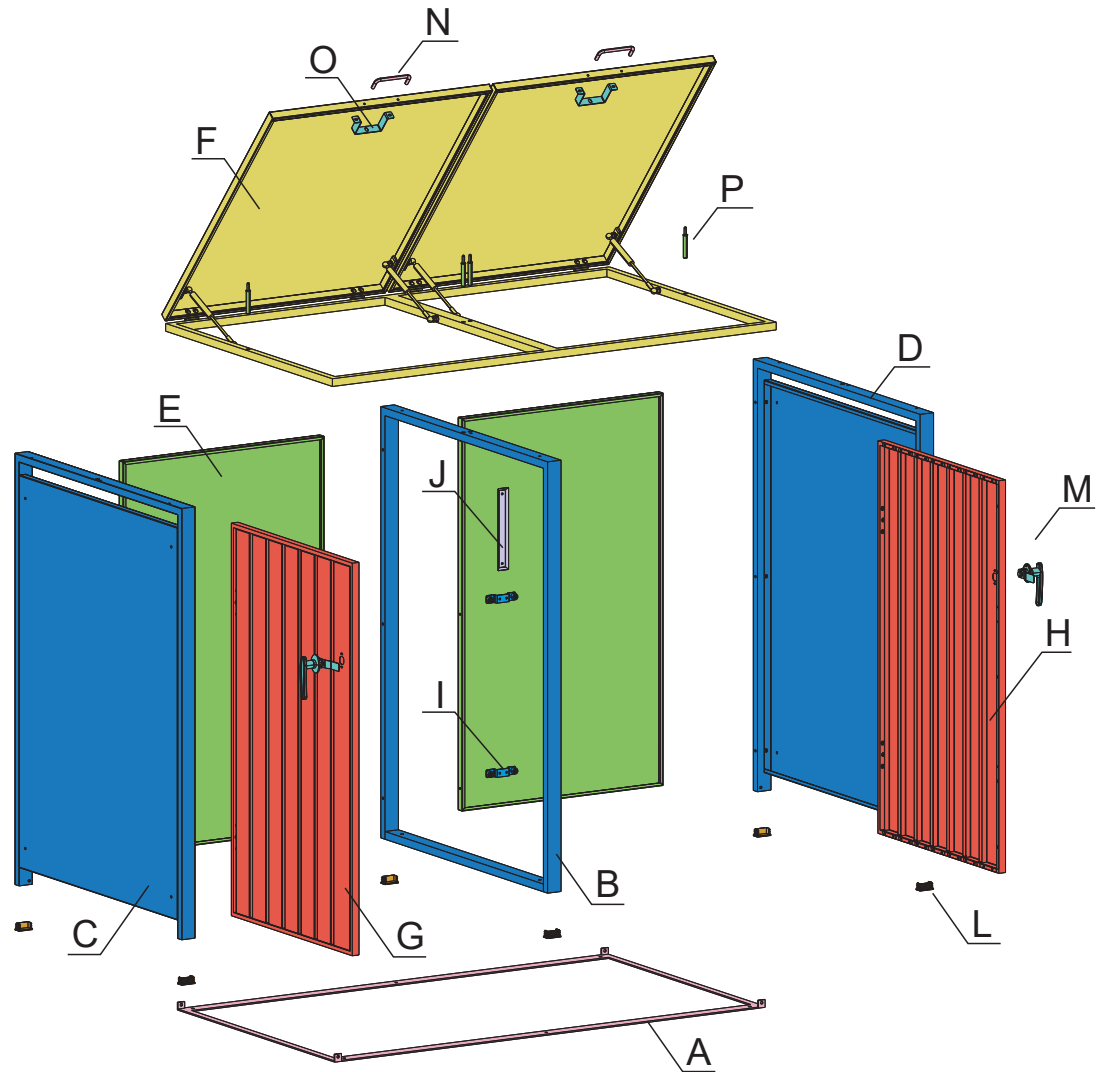
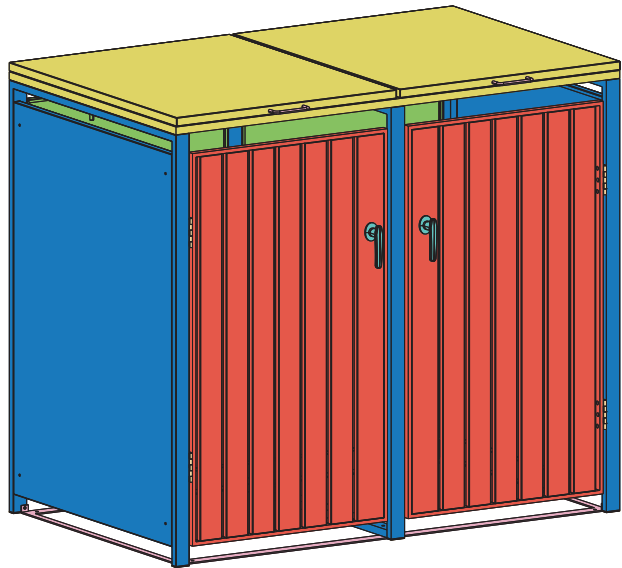
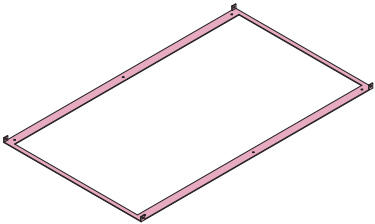
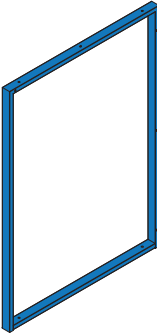
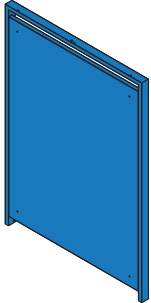
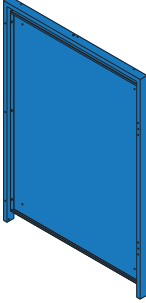
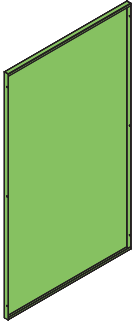
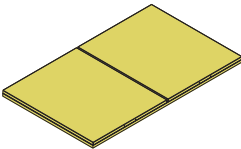
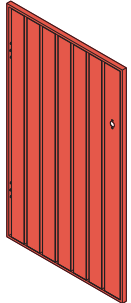
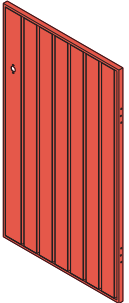
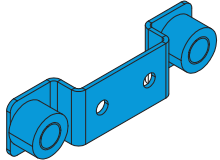
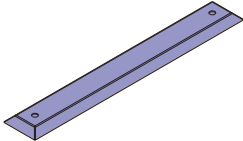
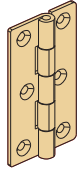
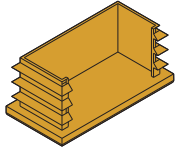
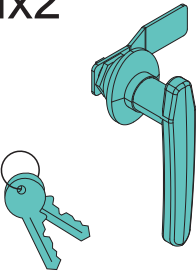
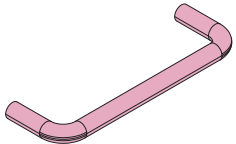
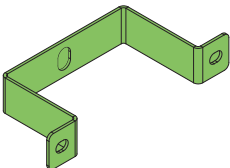

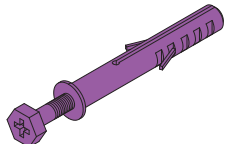
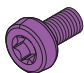
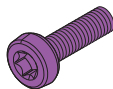
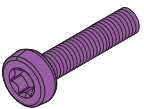
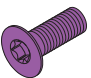
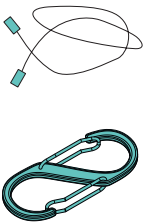


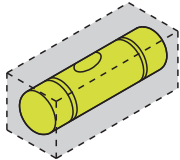
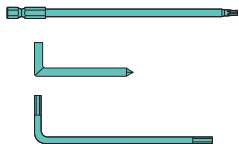


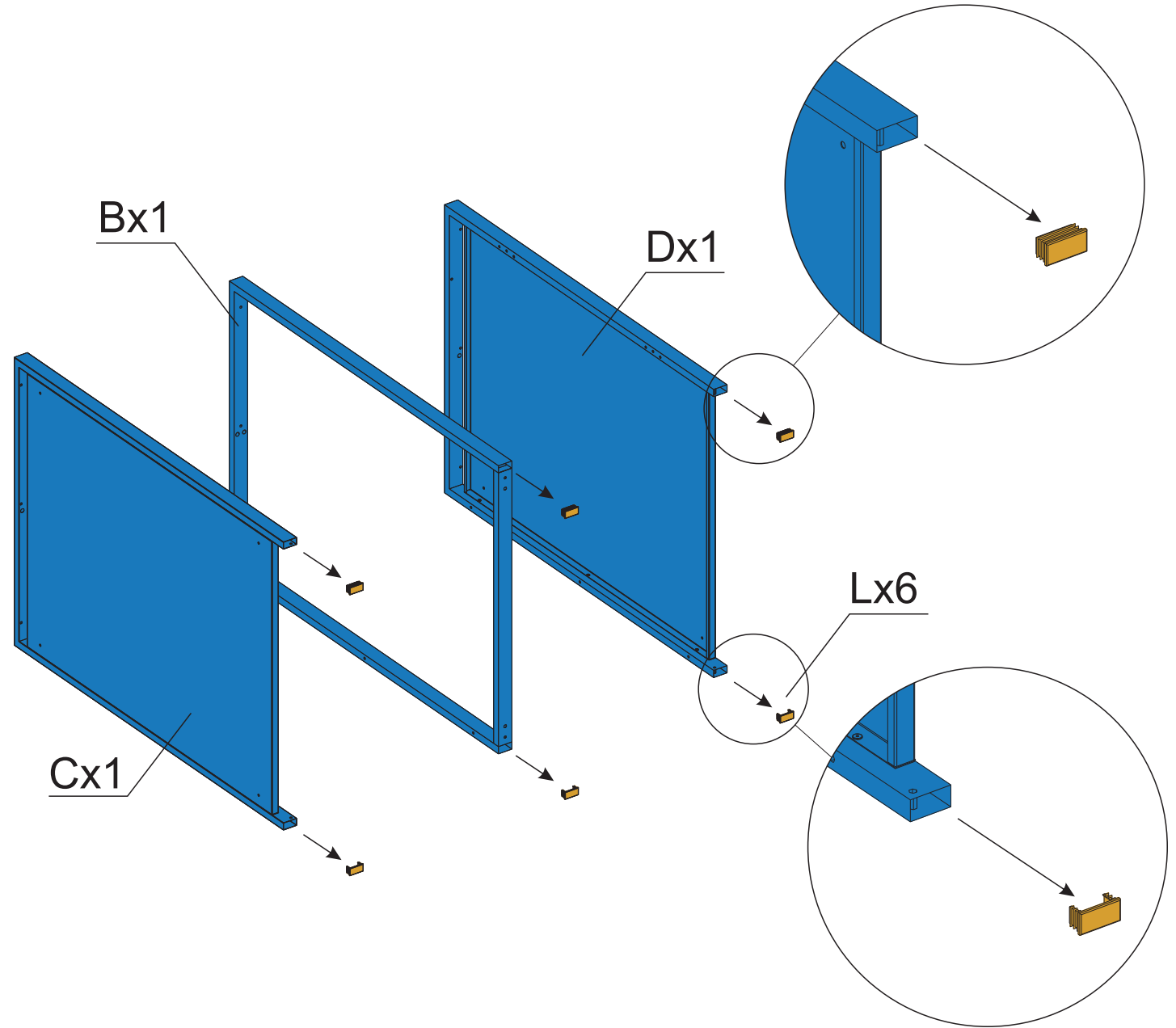
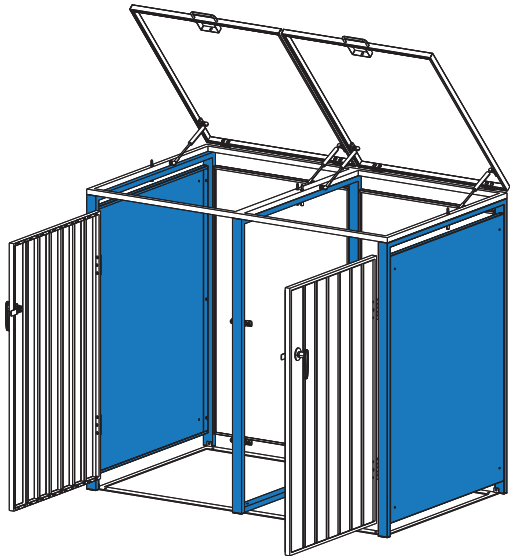
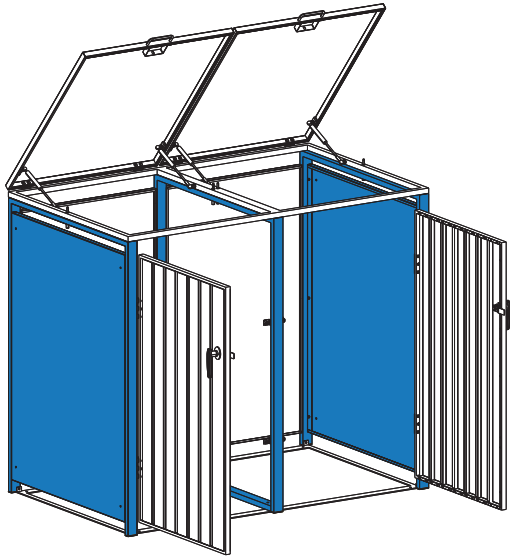
Kingdom Teak



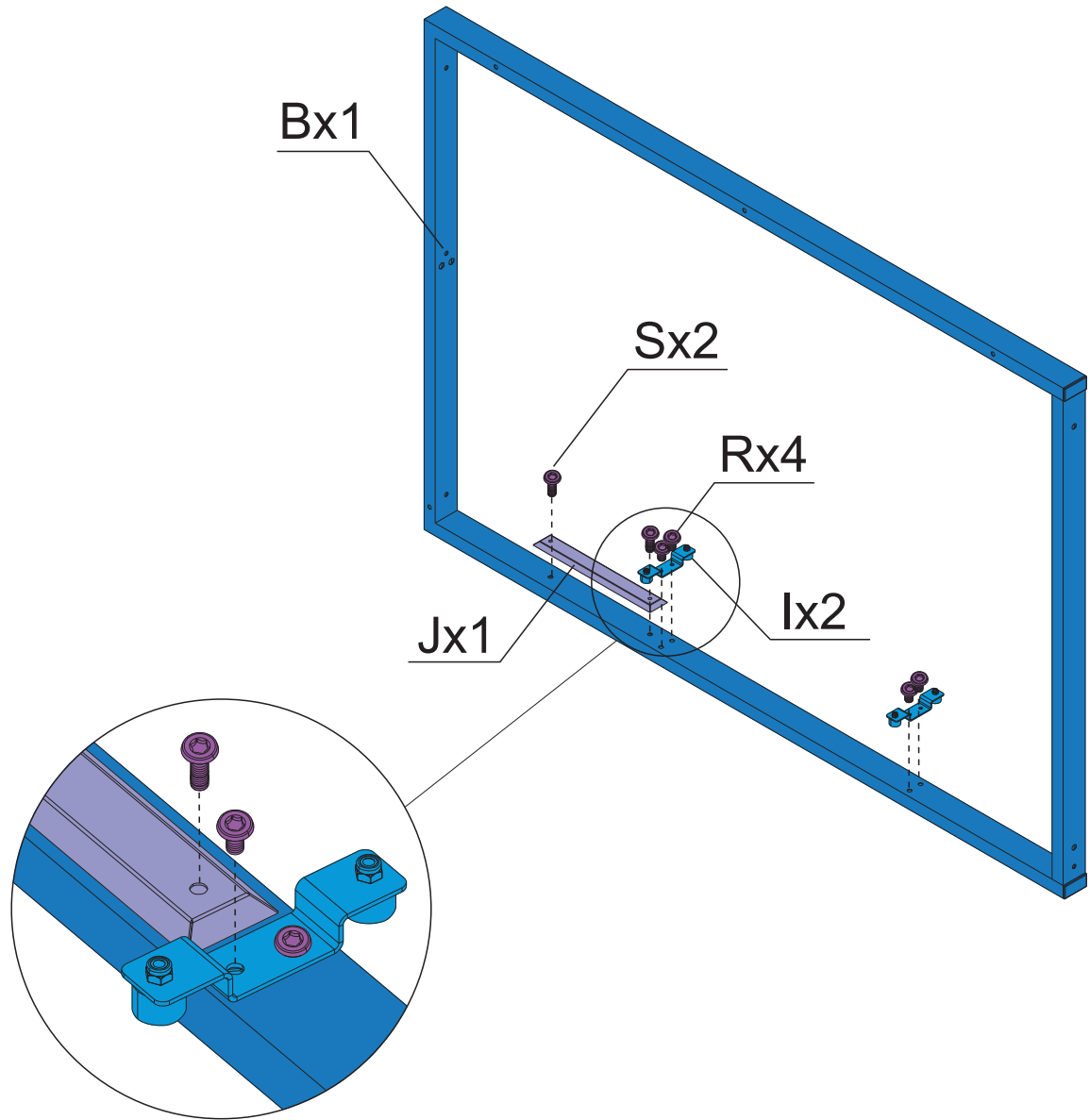
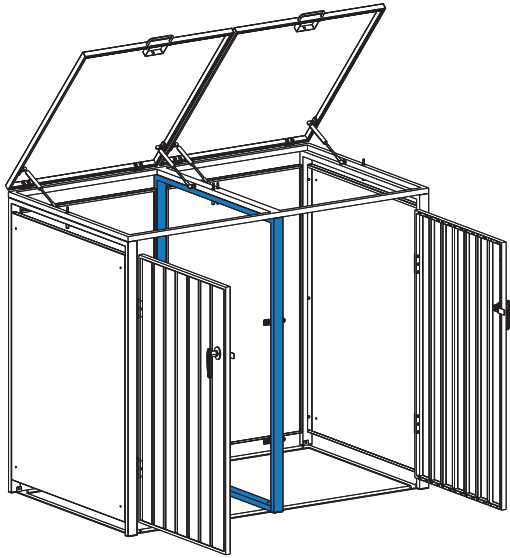
Ax1 	Bx1 	Cx1 	Dx1 	Ex2 		
Fx1 	Gx1 	Hx1 	Ix2 	Jx1 	Kx4 	Lx6 
Mx2 	Nx2 	Ox2 	Px4 	Qx6 	Rx16  M4x10mm	Sx10  M4x20mm
Tx9  M4x30mm	Ux30  M4x14mm	Vx2 	Wx4 	Xx4 	Yx1 	Zx1 

Note: If you want to connect the similar trash can, please use part S,W,X.

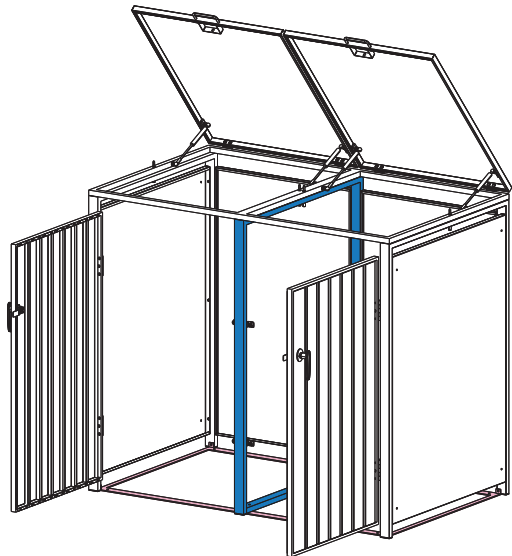
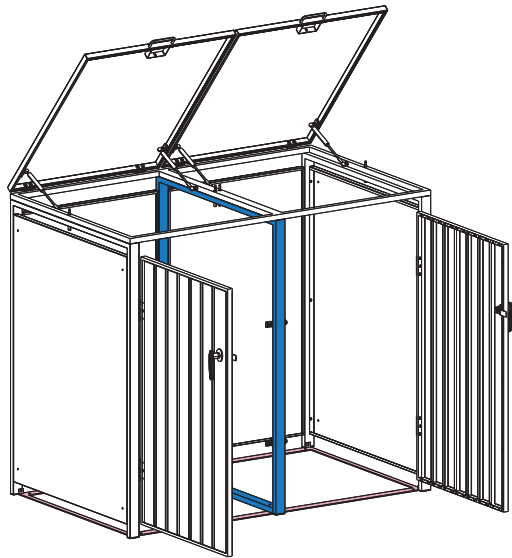
STEP 1



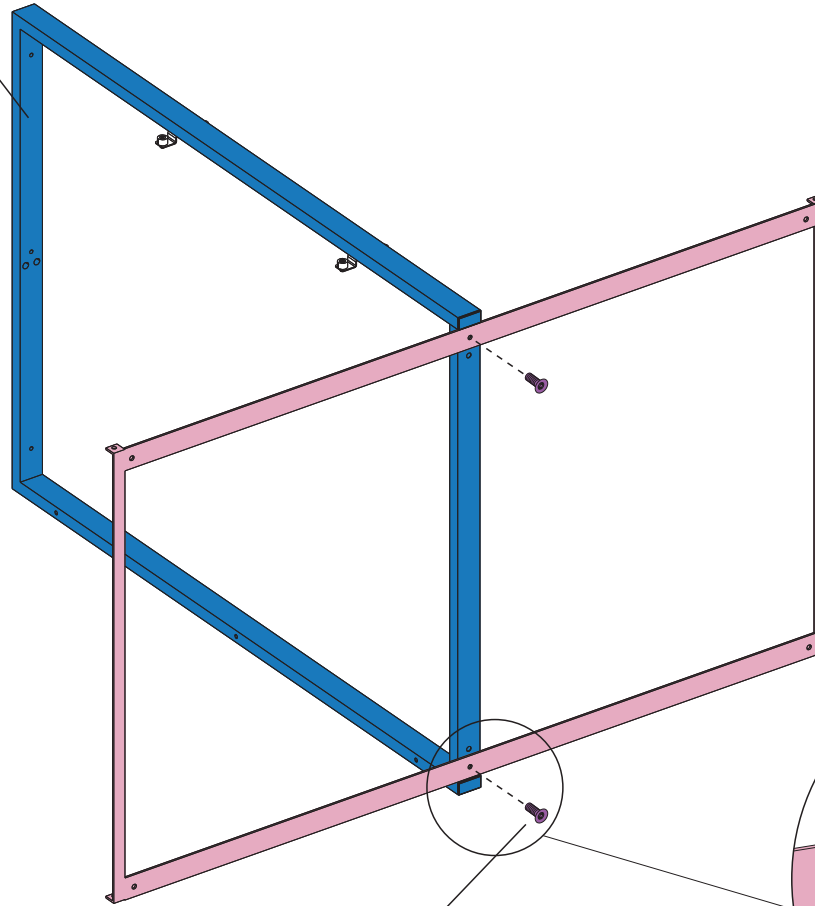
STEP2



STEP3

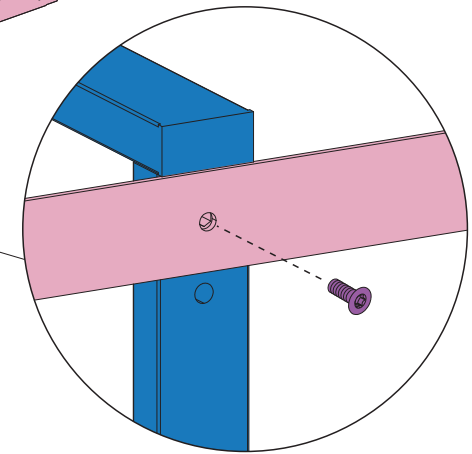


Bx1

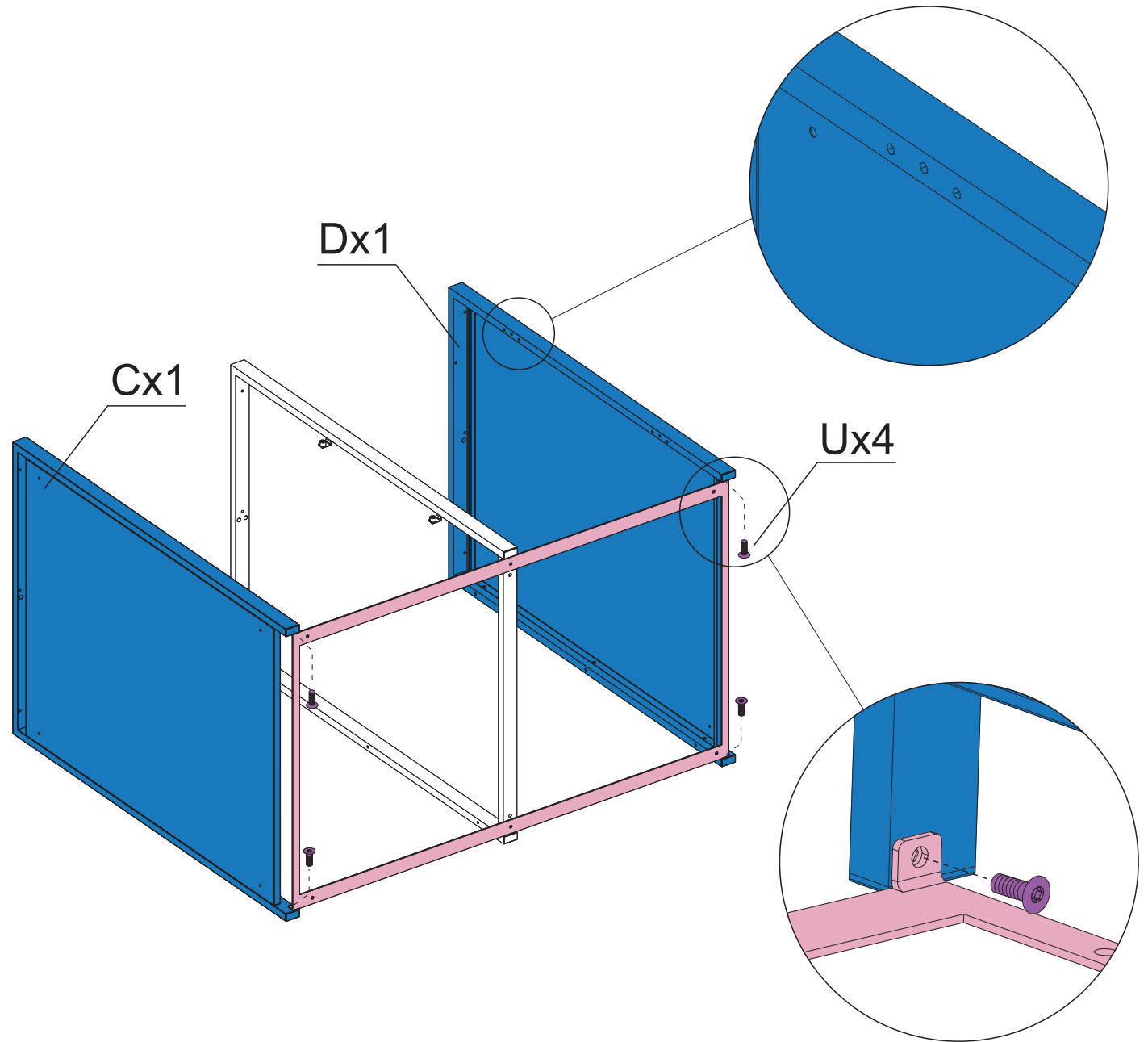
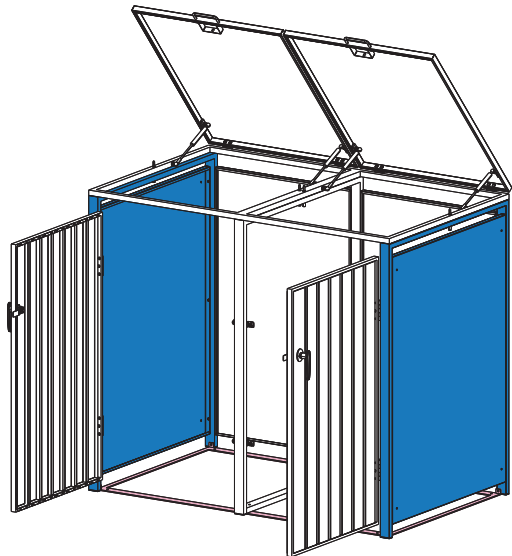
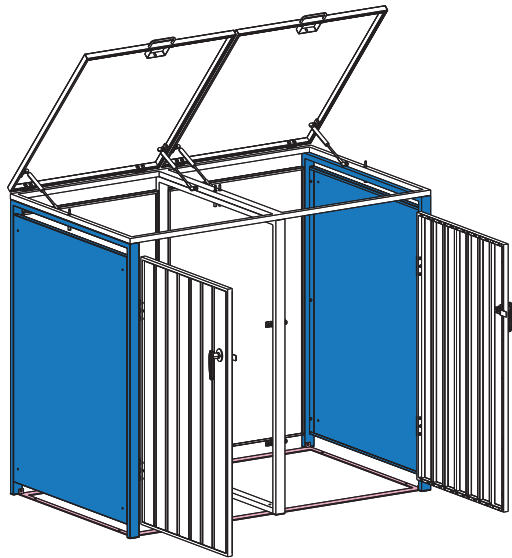


Ax1

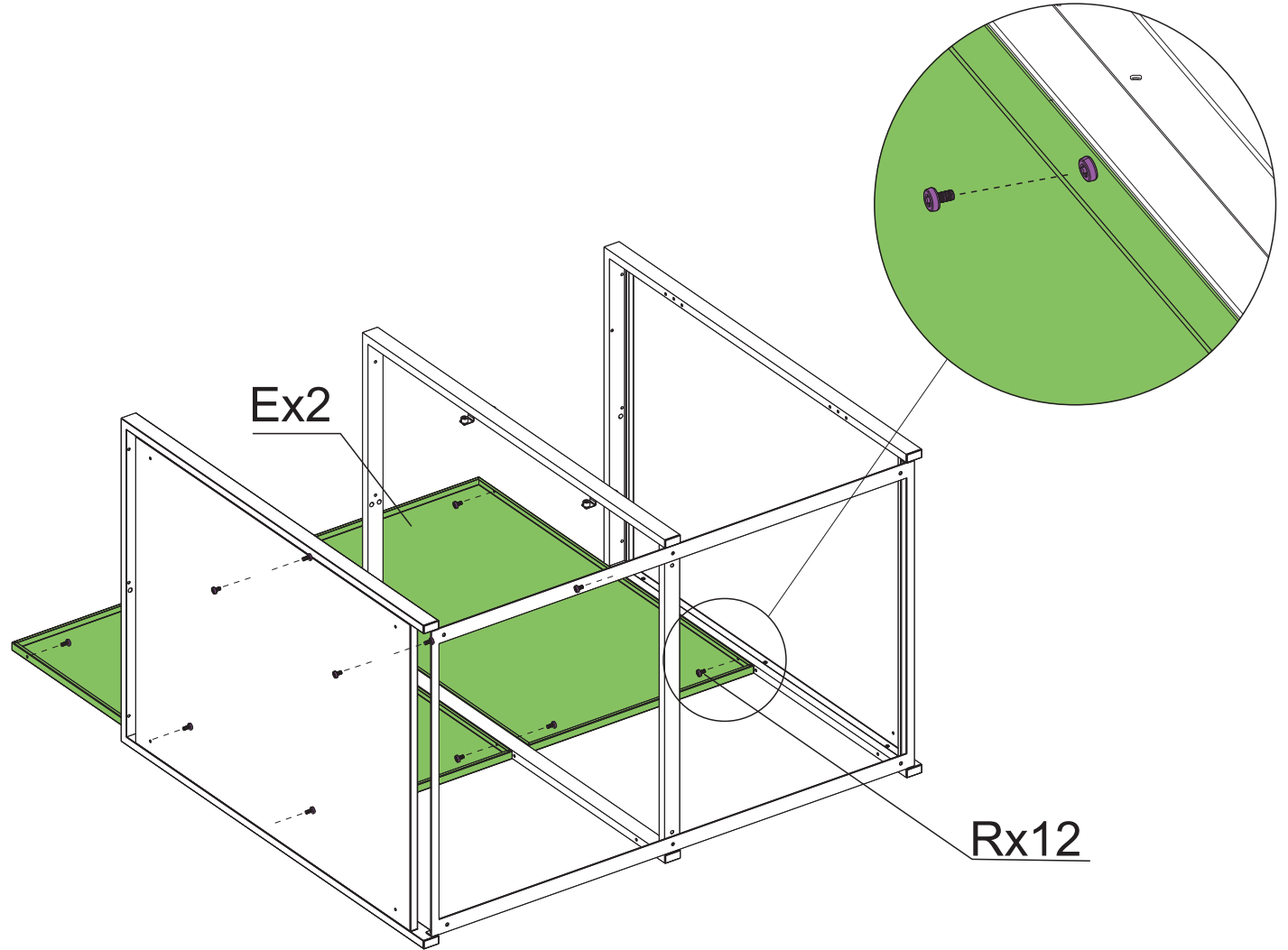
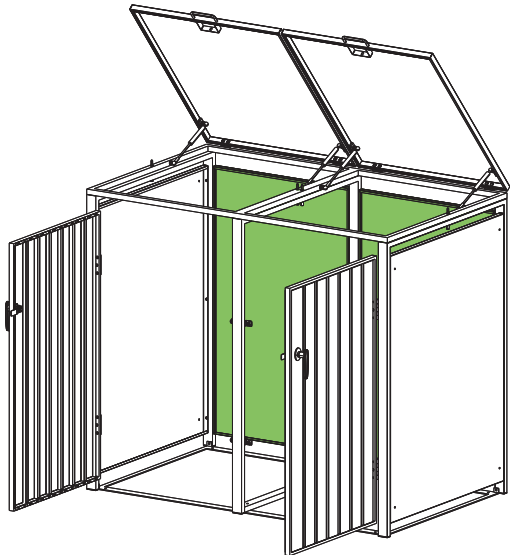
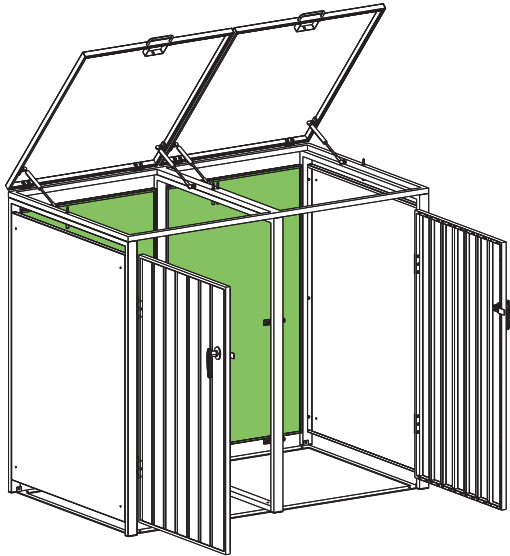
Ux2



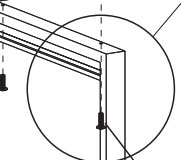
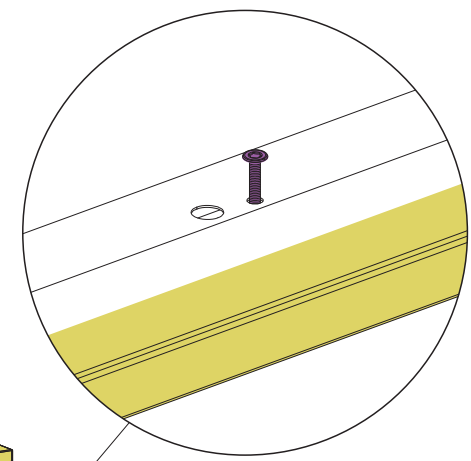
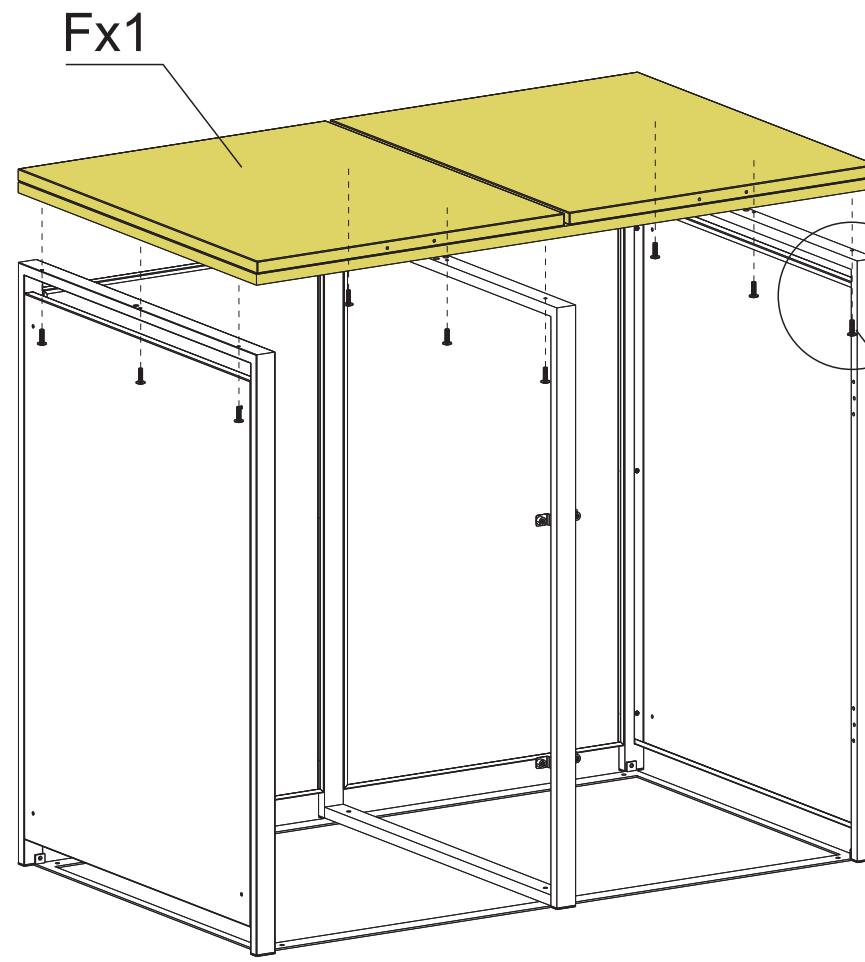
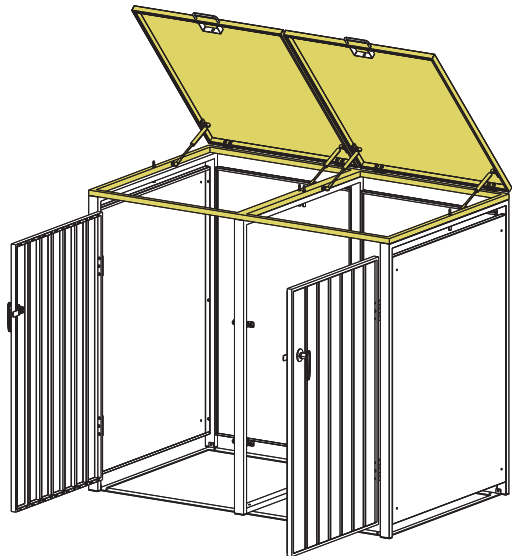
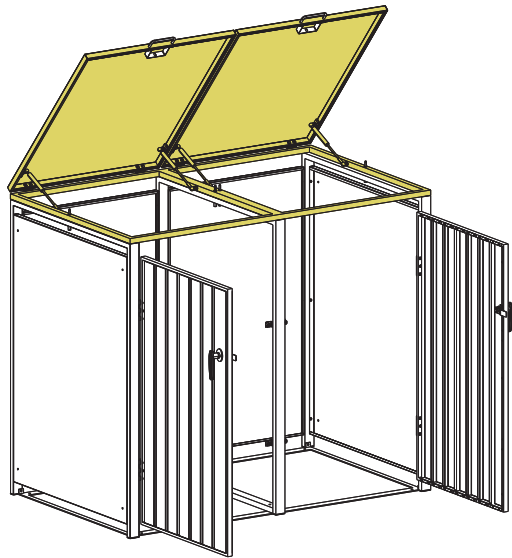
STEP4



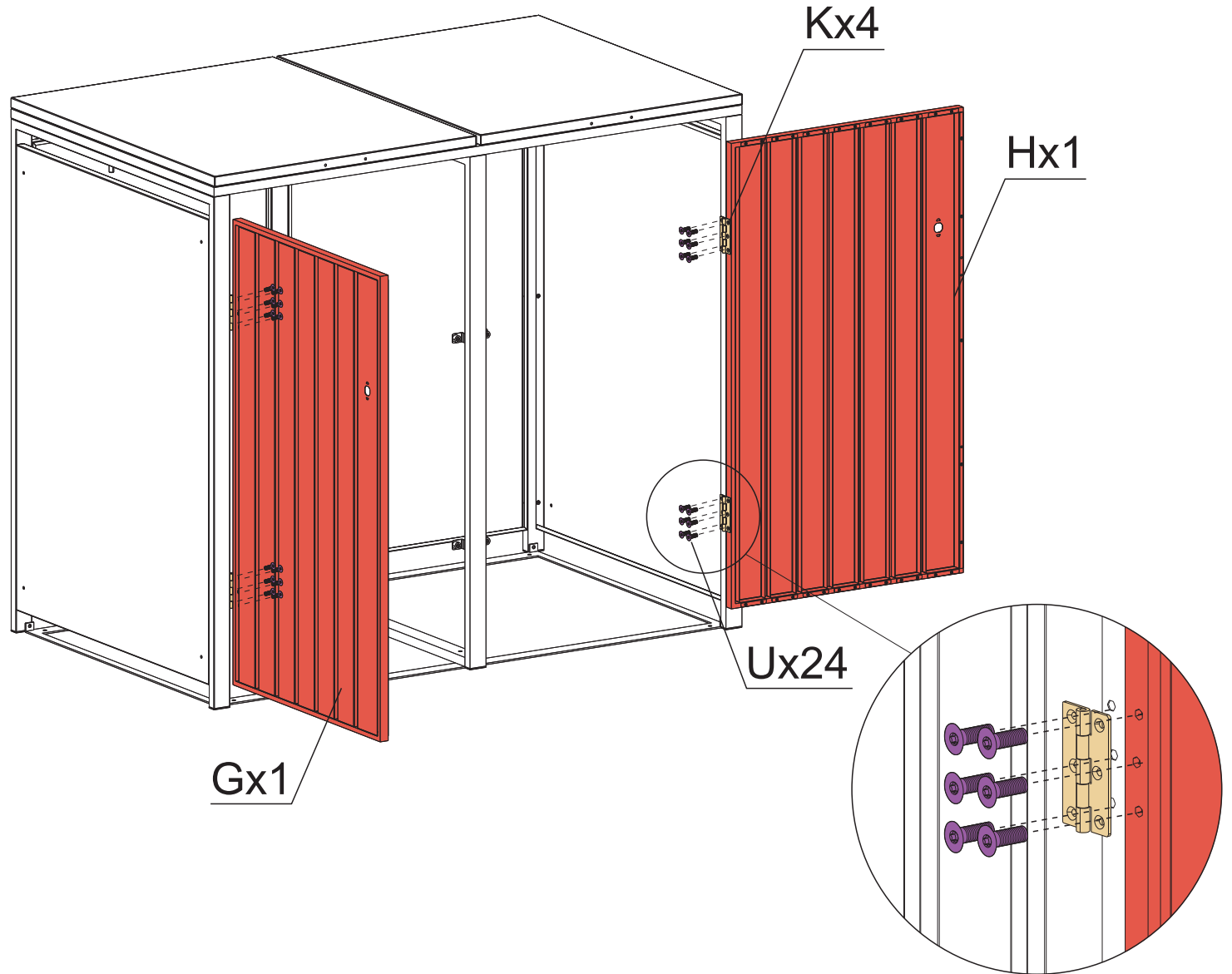
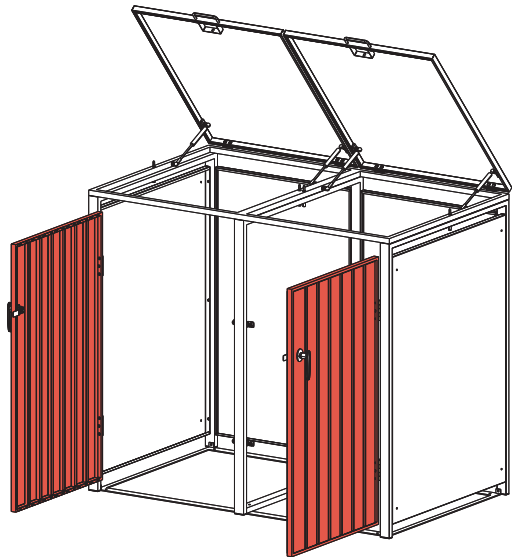
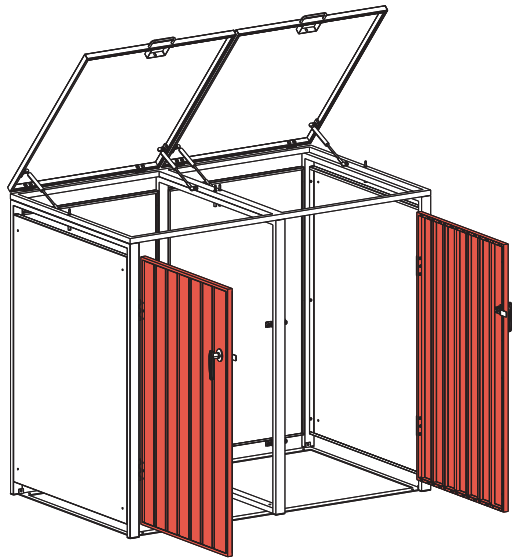
STEP5



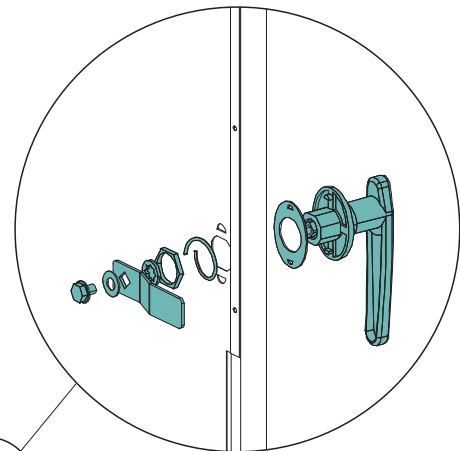
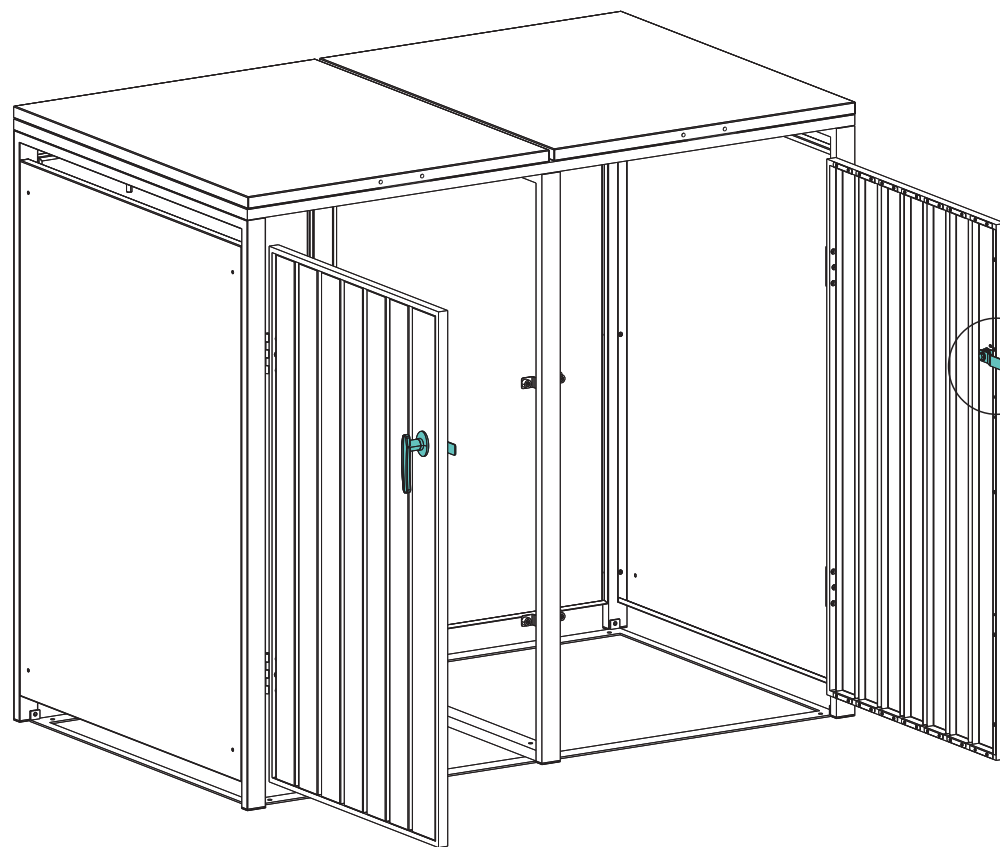
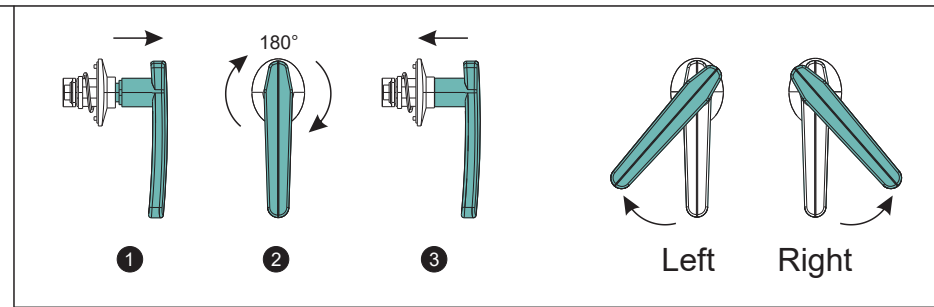
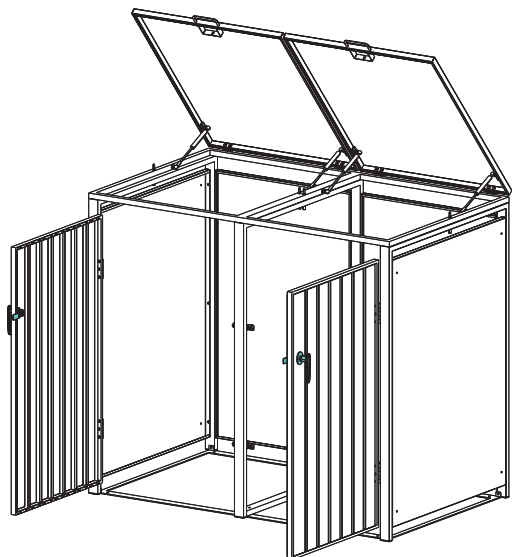
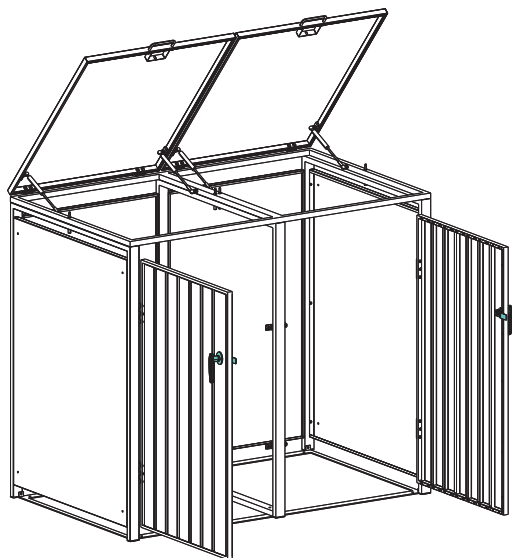
STEP 6



STEP 7

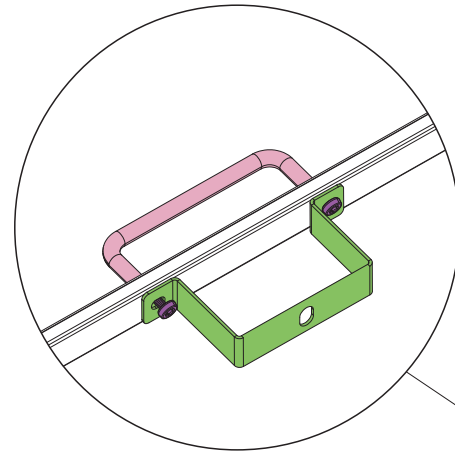
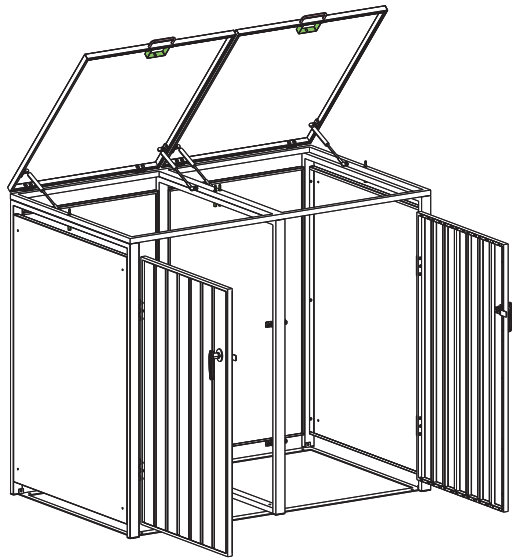


STEP 8



Mx2

STEP 9

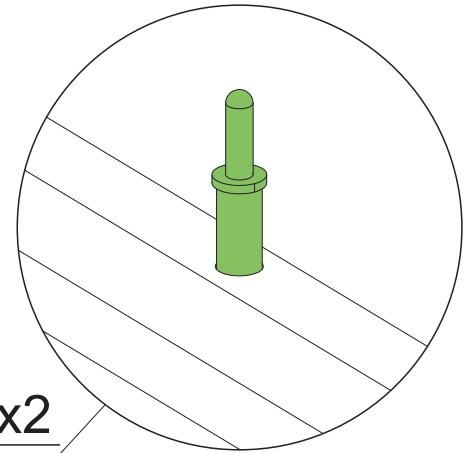
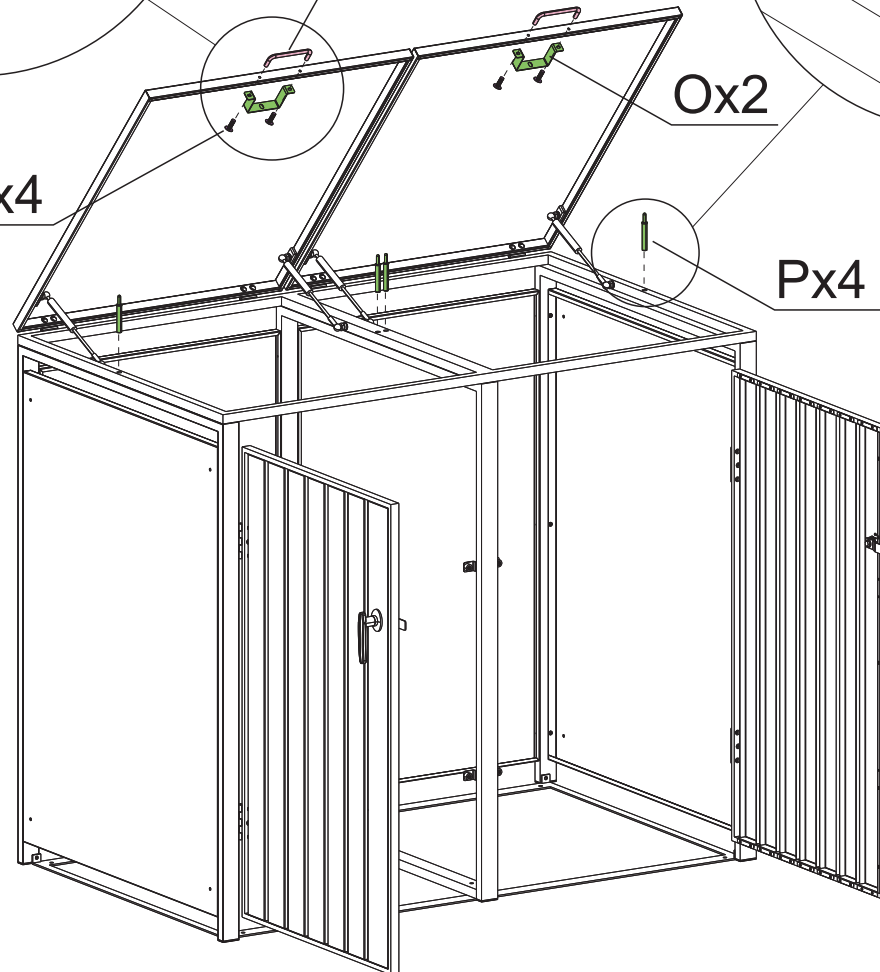


Nx2

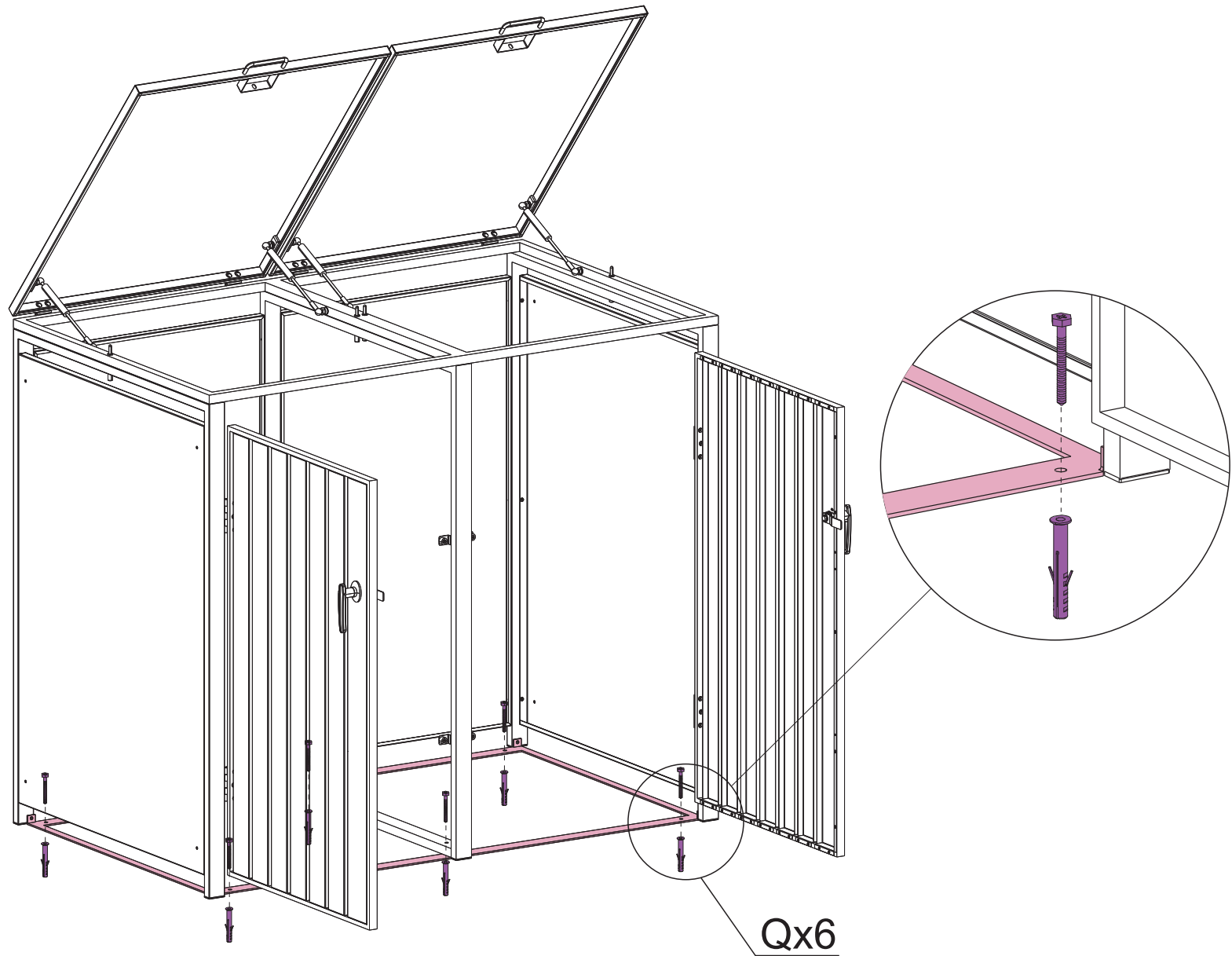
Ox2

Px4

Sx4



STEP10



STEP11

