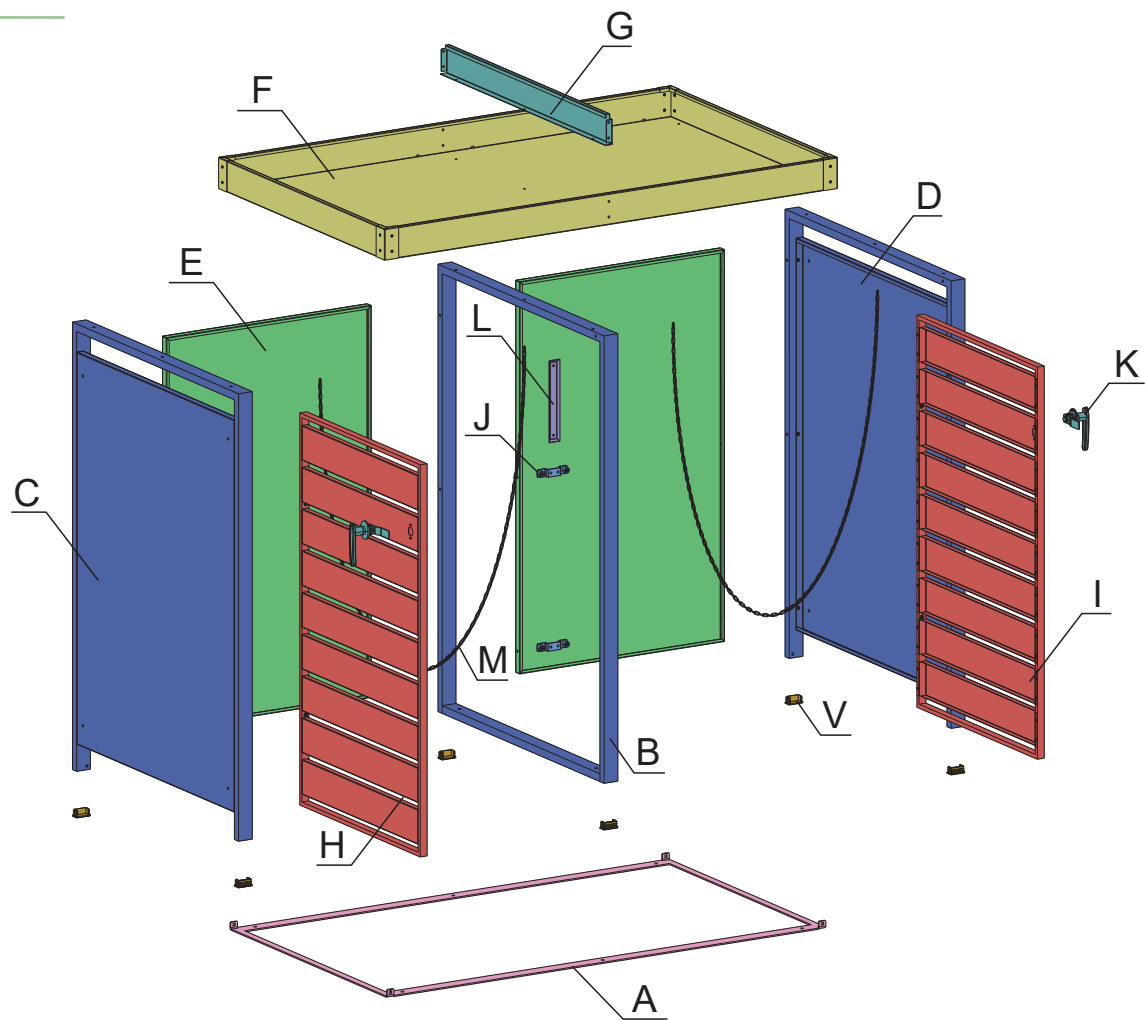
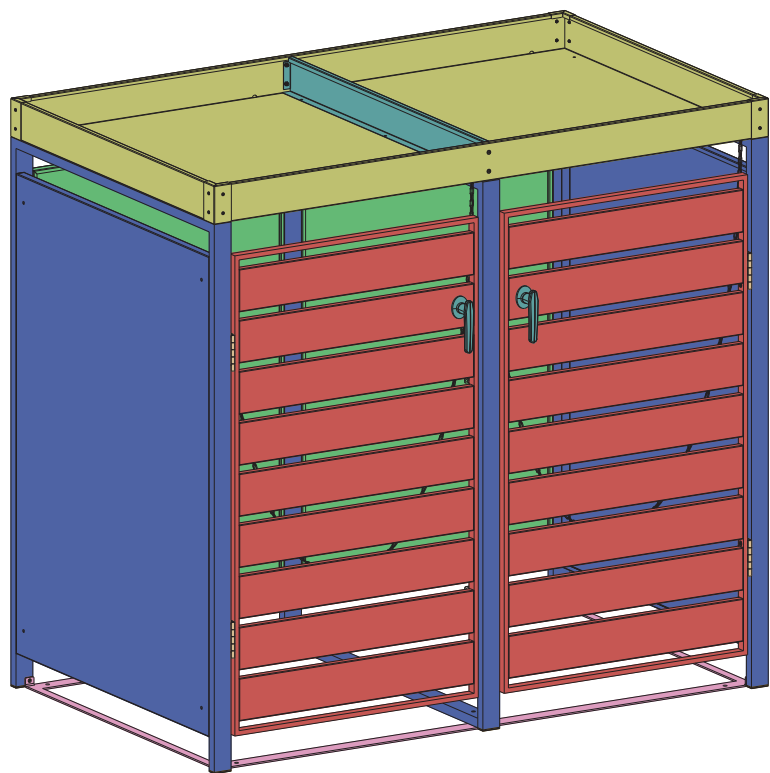
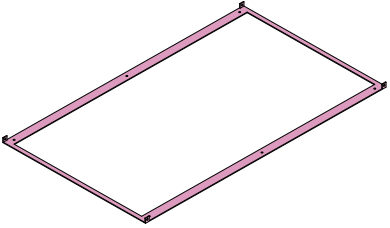
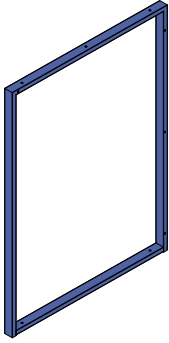
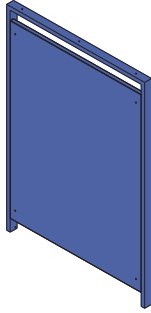
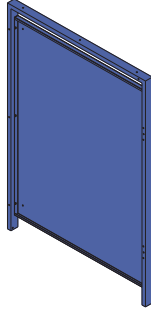
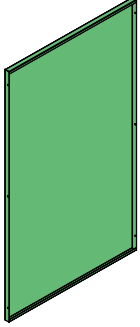
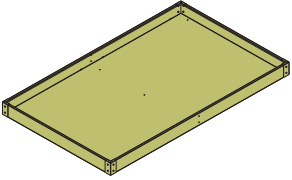
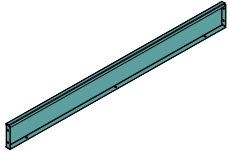


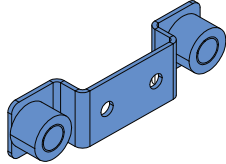
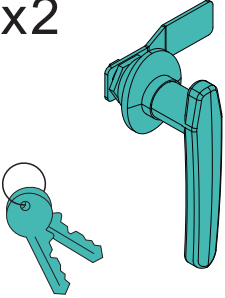
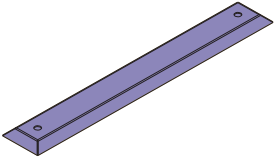
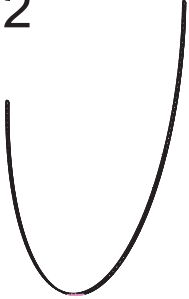
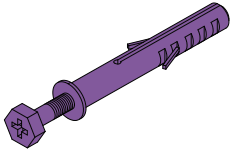
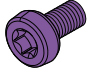
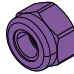
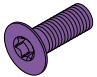
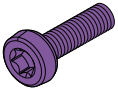

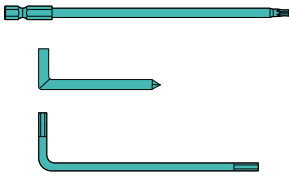
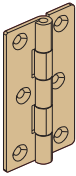
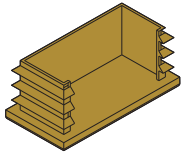
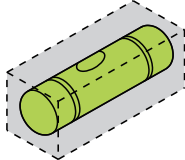


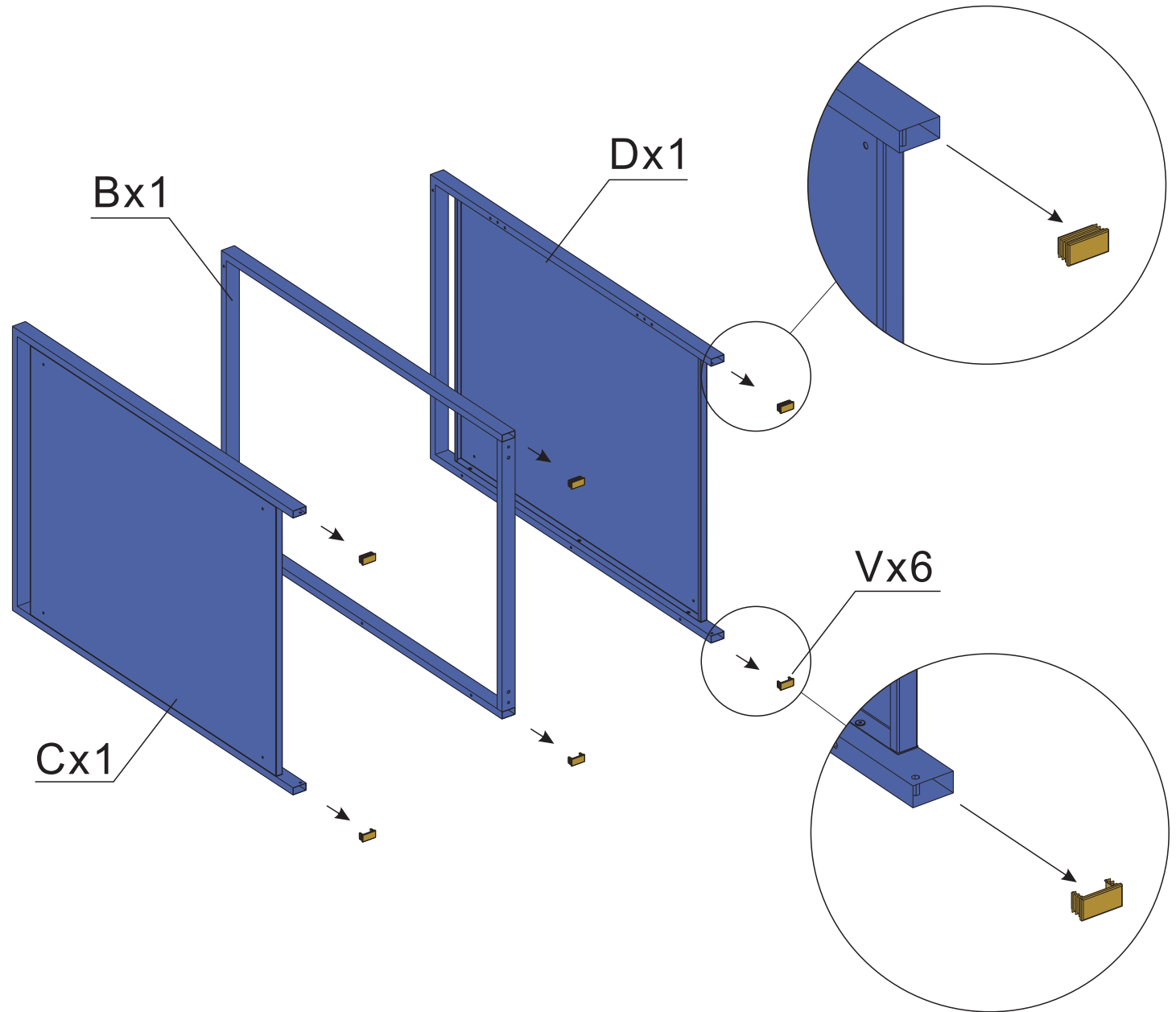
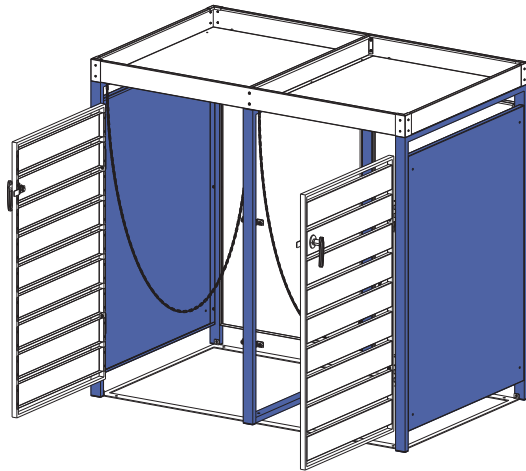
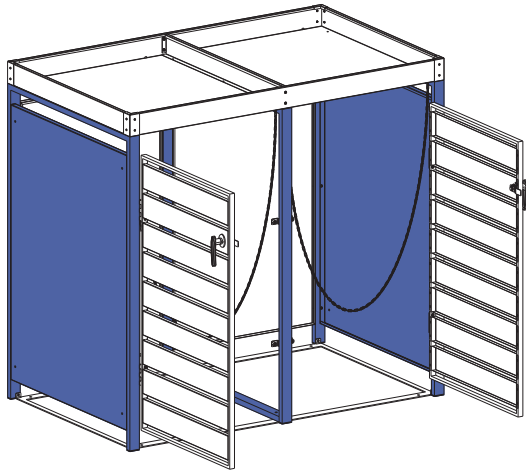
# Kingdom Teak



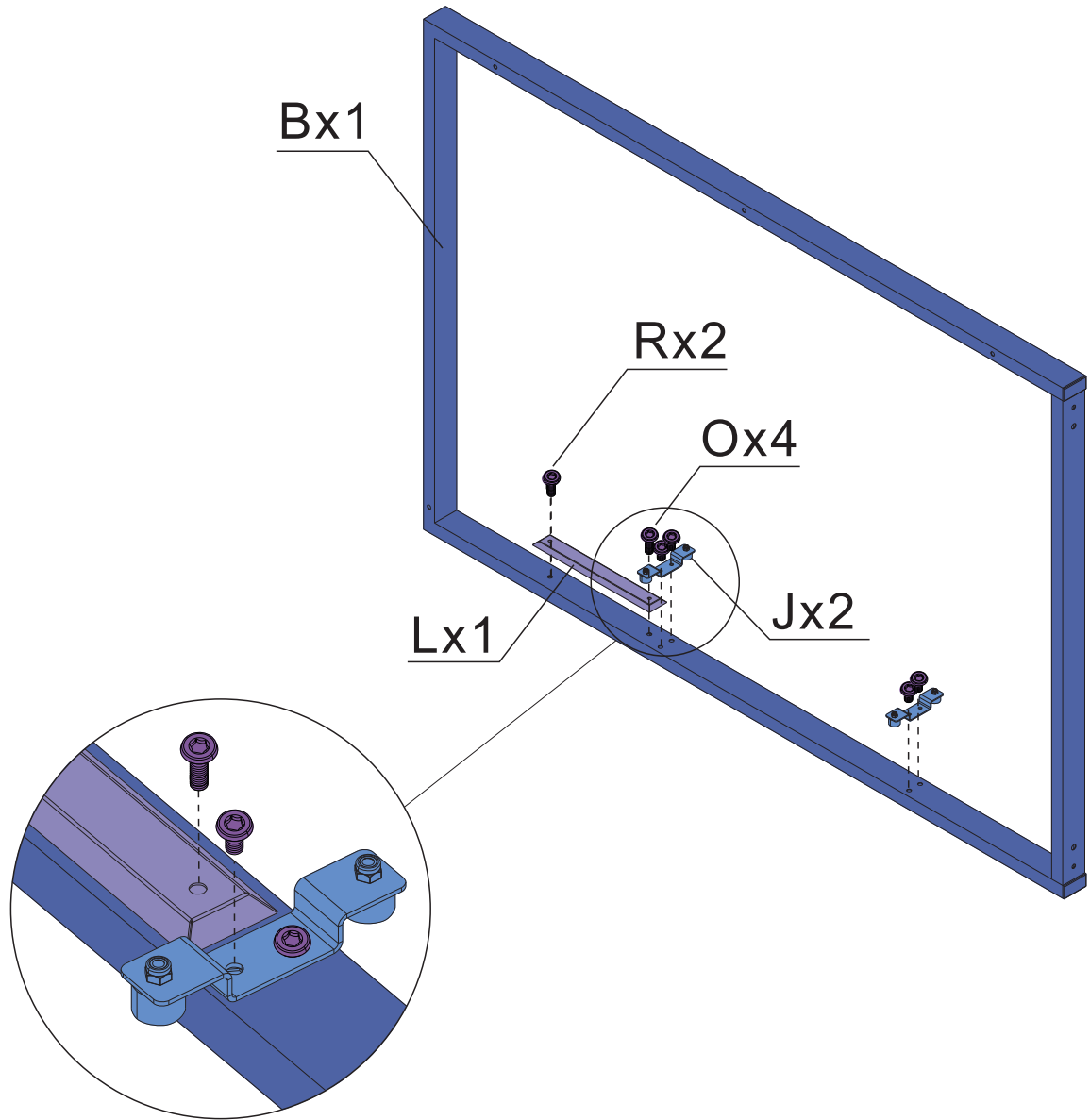
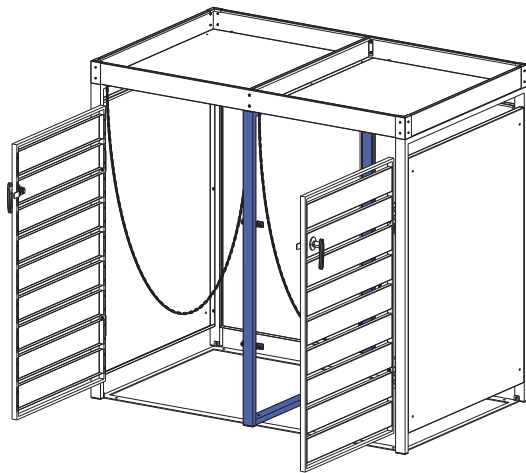
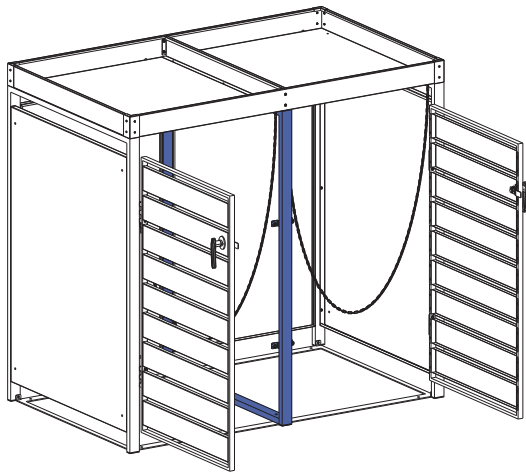
<p>Ax1</p> 	<p>Bx1</p> 	<p>Cx1</p> 	<p>Dx1</p> 	<p>Ex2</p> 	
<p>Fx1</p> 	<p>Gx1</p> 	<p>Hx1</p> 	<p>Ix1</p> 	<p>Jx2</p> 	<p>Kx2</p> 
<p>Lx1</p> 	<p>Mx2</p> 	<p>Nx6</p> 	<p>Ox33</p>  <p>M4x10mm</p>	<p>Px4</p> 	<p>Qx30</p>  <p>M4x14mm</p>
<p>Rx6</p>  <p>M4x20mm</p>	<p>Sx4</p> 	<p>Tx1</p> 	<p>Ux4</p> 	<p>Vx6</p> 	<p>Wx1</p> 

Note: If you want to connect the similar trash can, please use part R,S,P.

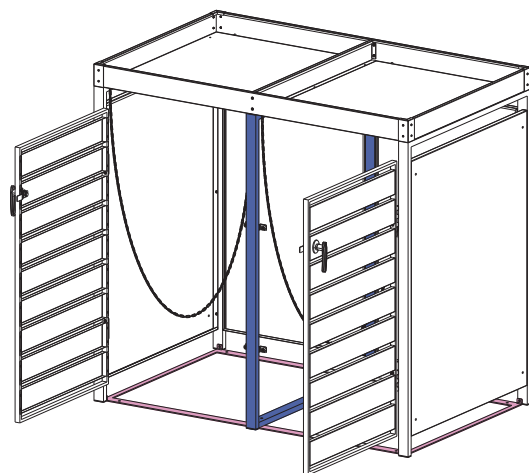
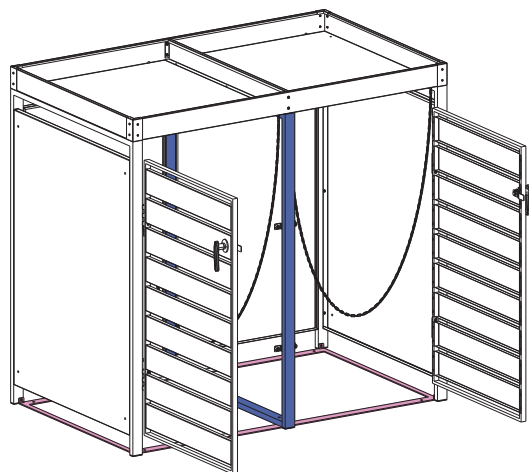
# STEP 1



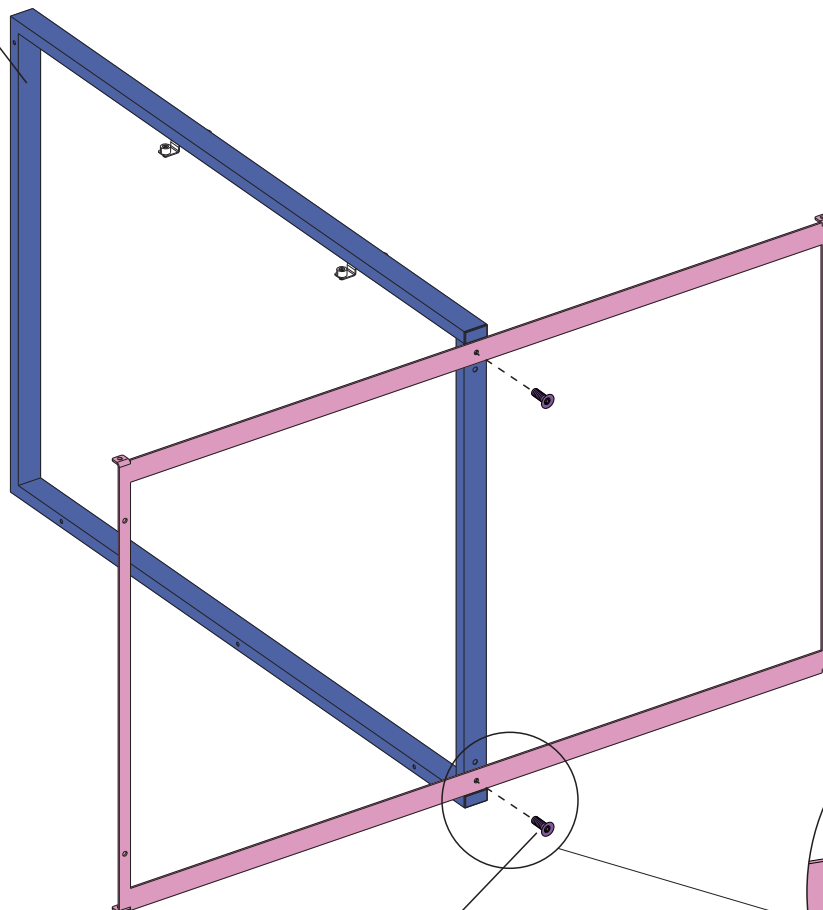
# STEP 2



# STEP 3



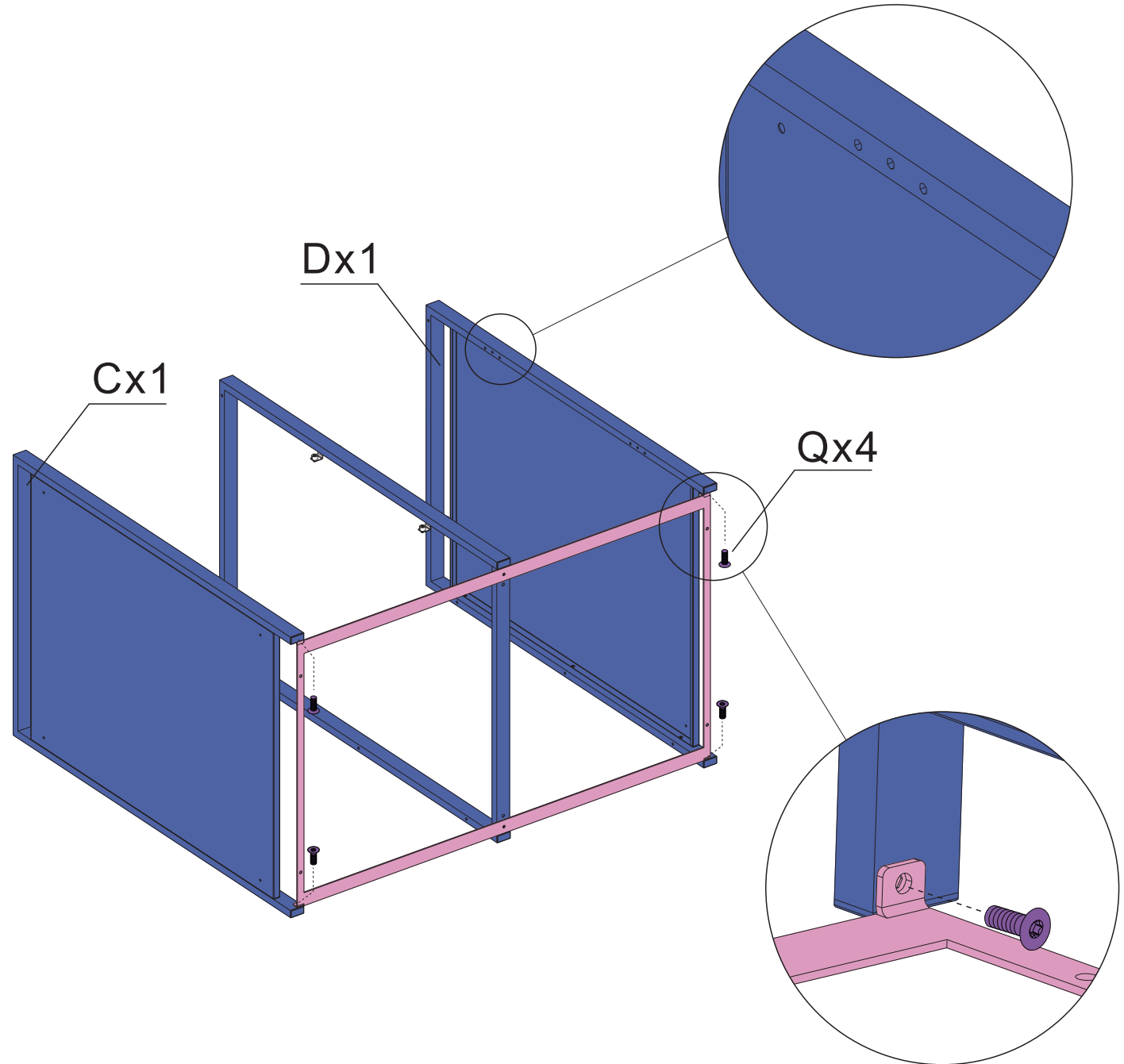
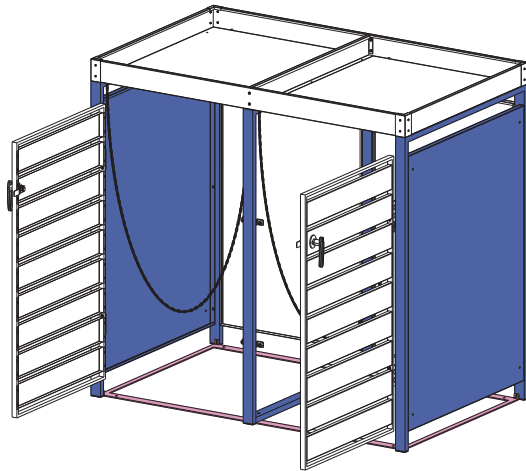
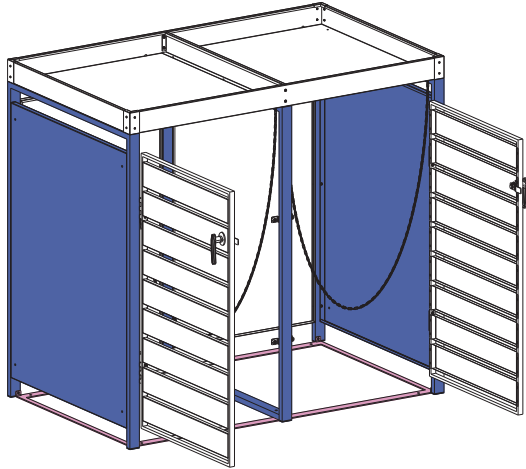
Bx1



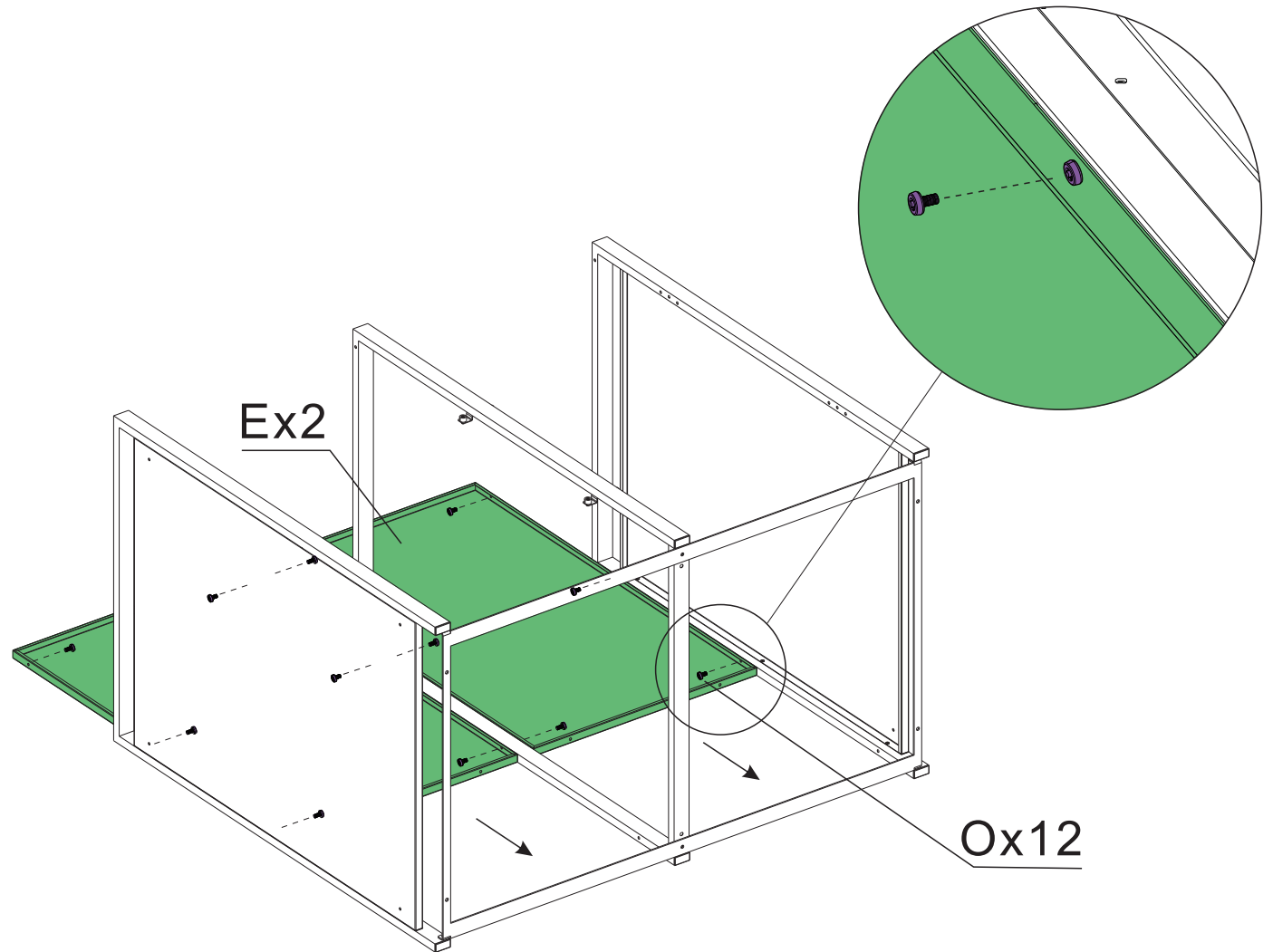
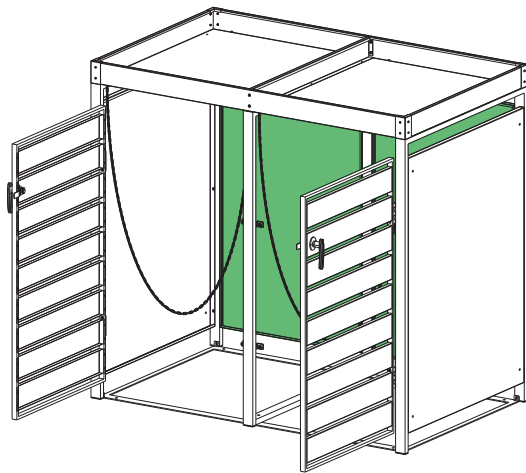
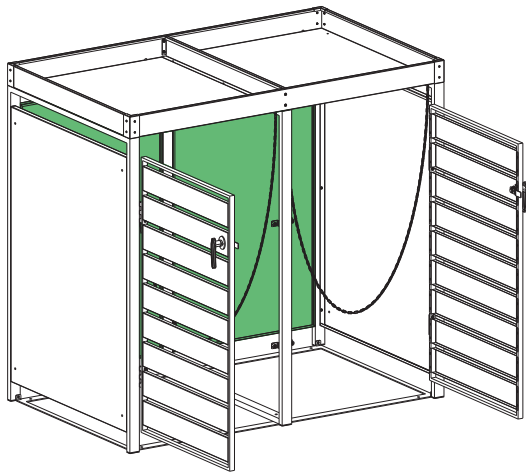
Ax1

Qx2

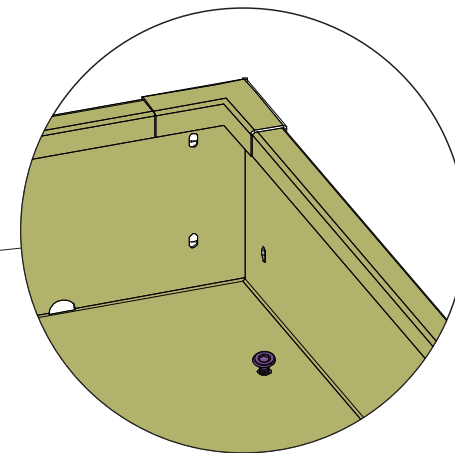
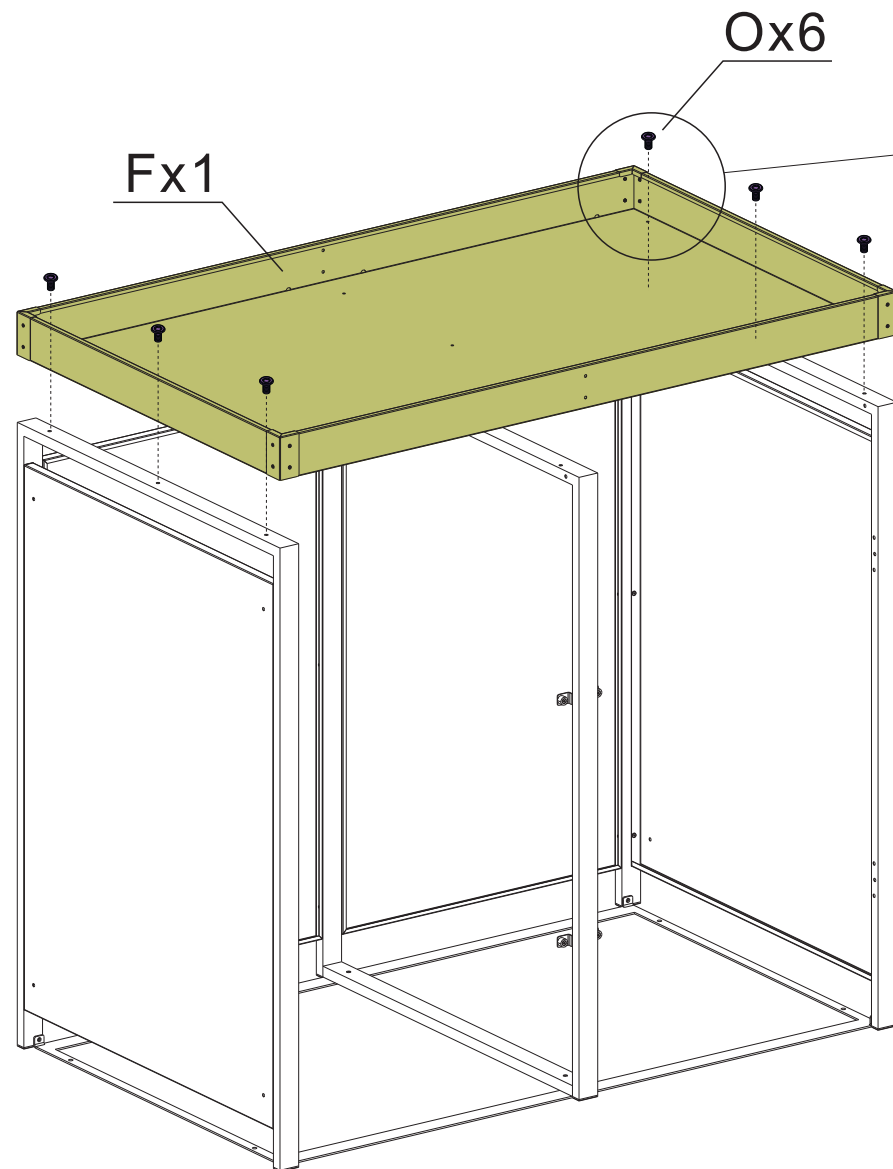
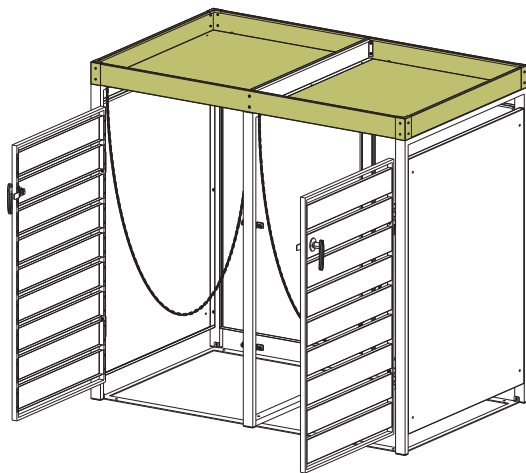
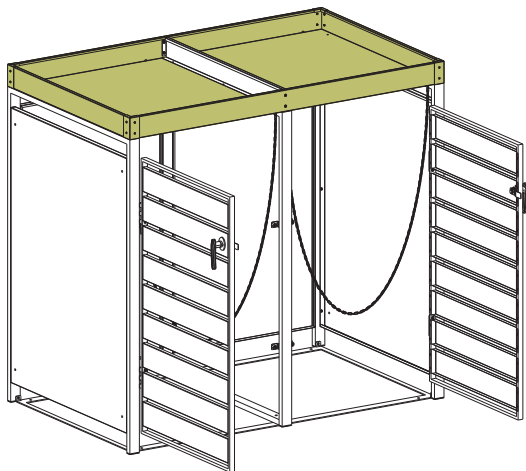
# STEP 4



# STEP 5

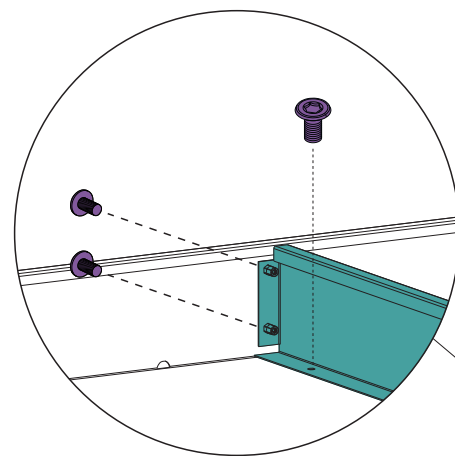
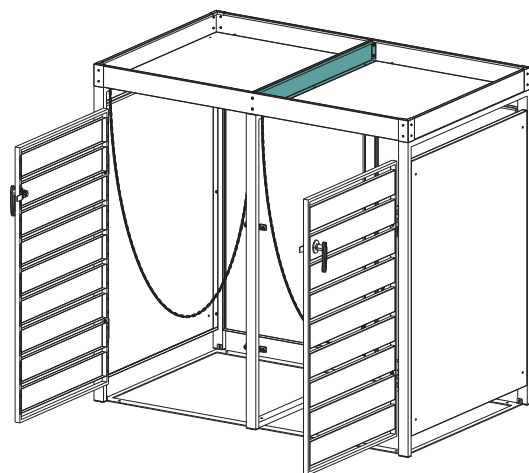
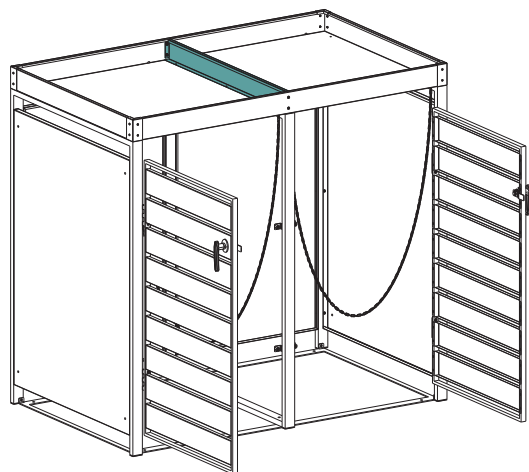


# STEP 6



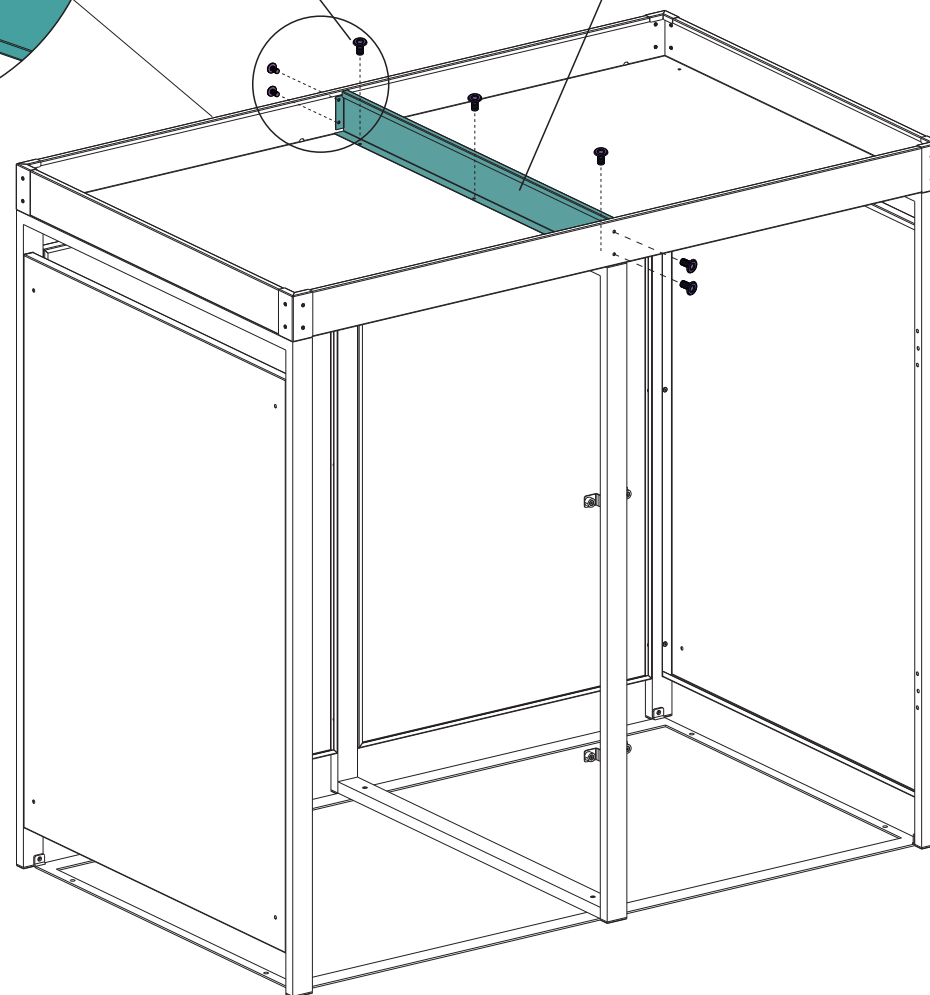


# STEP 7

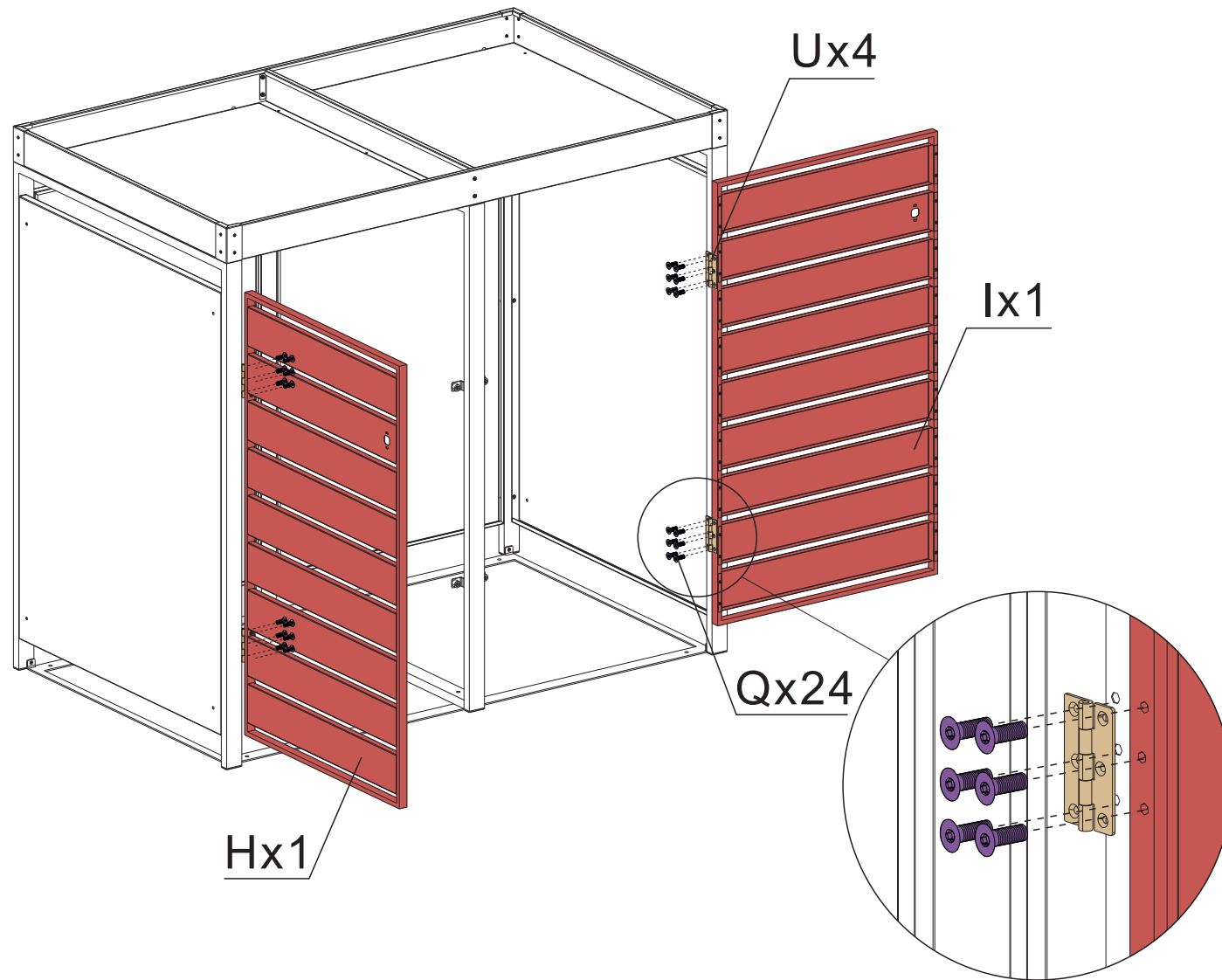
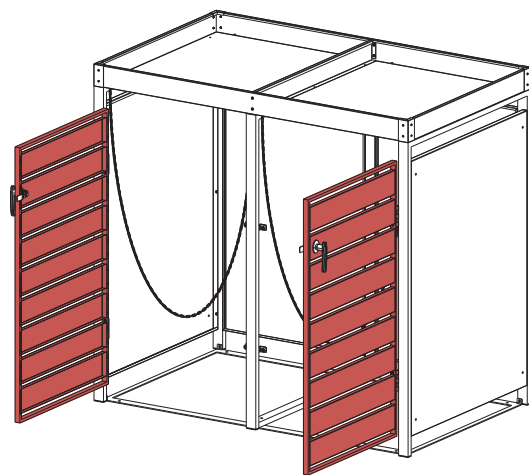
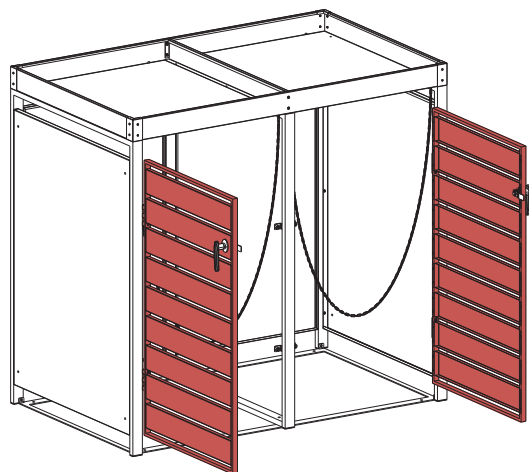


Ox7

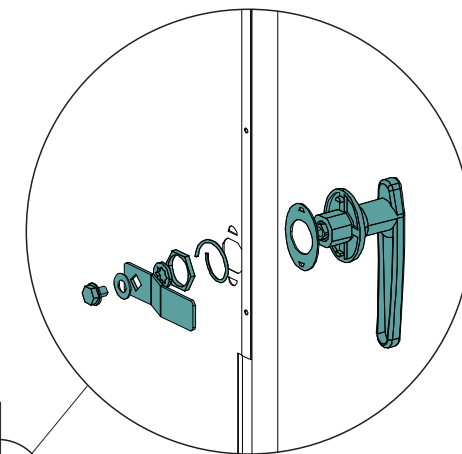
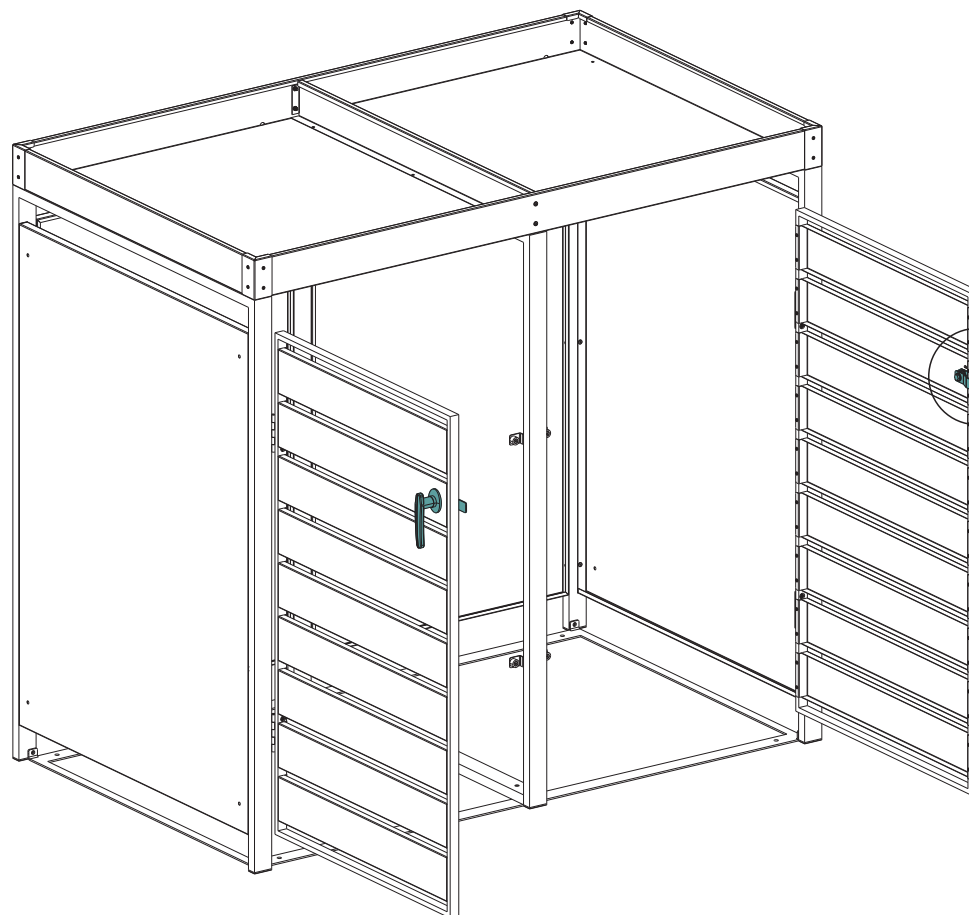
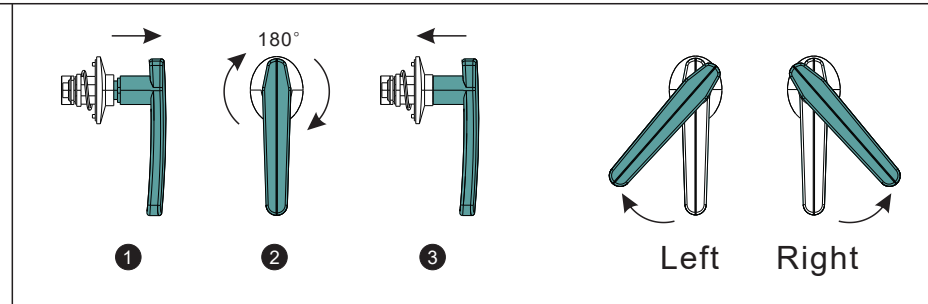
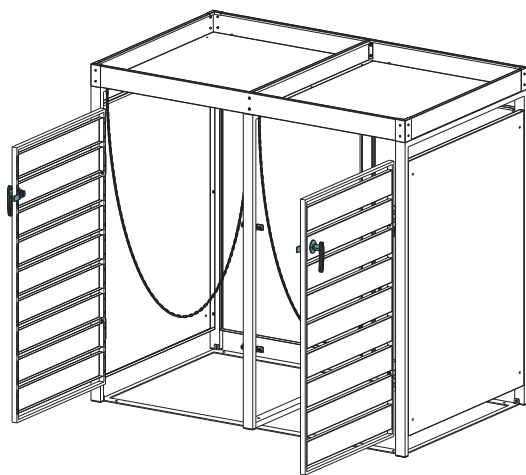
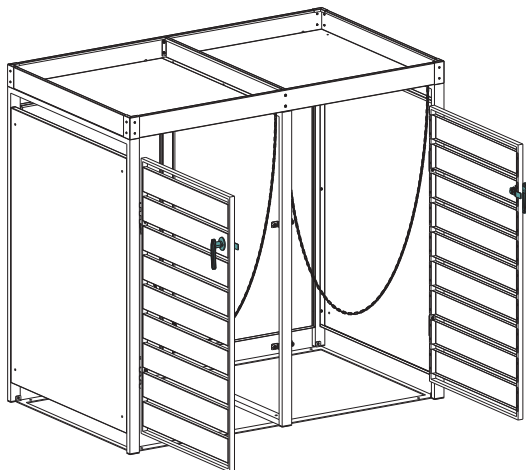
Gx1



# STEP 8

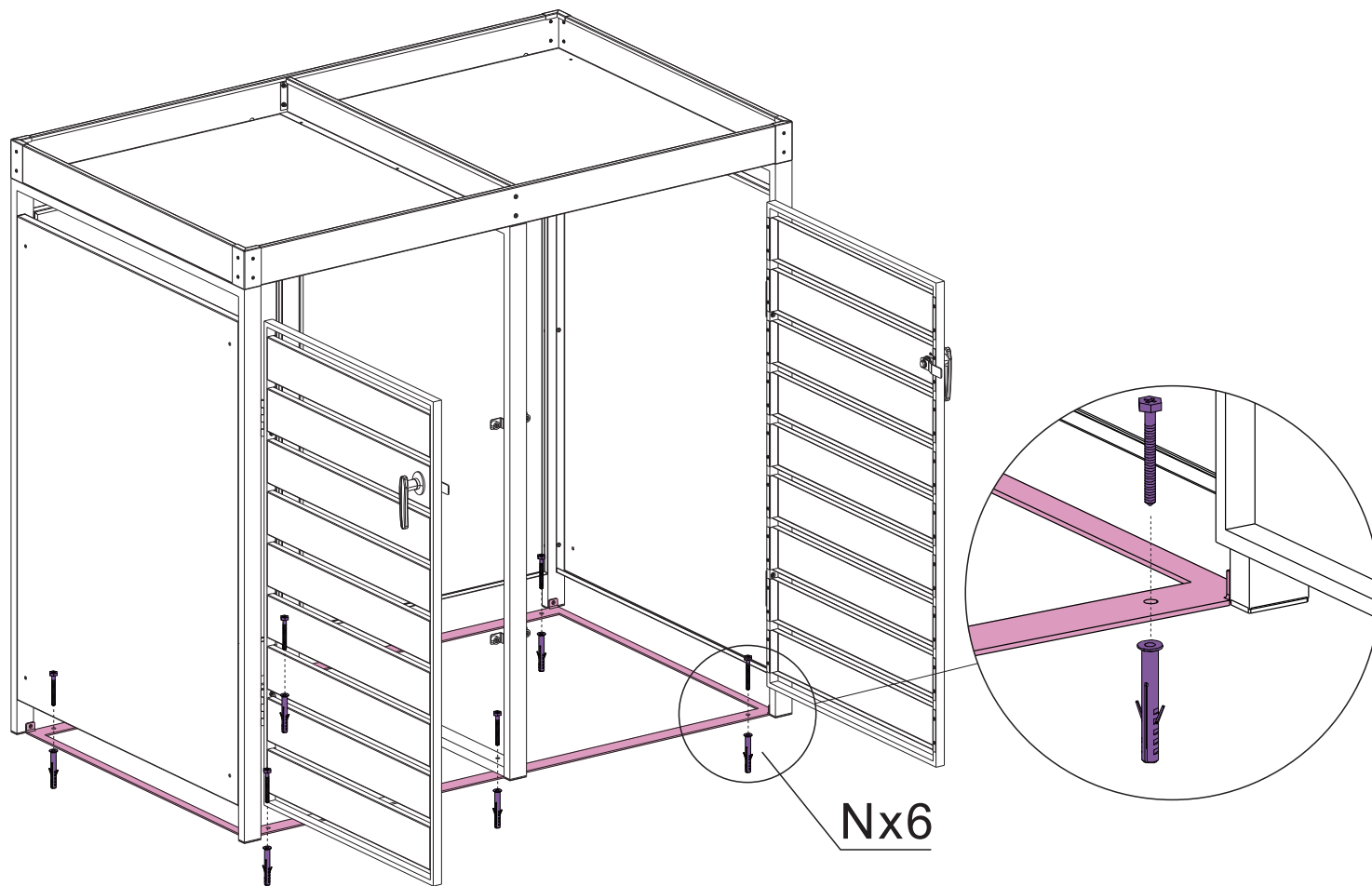


# STEP 9

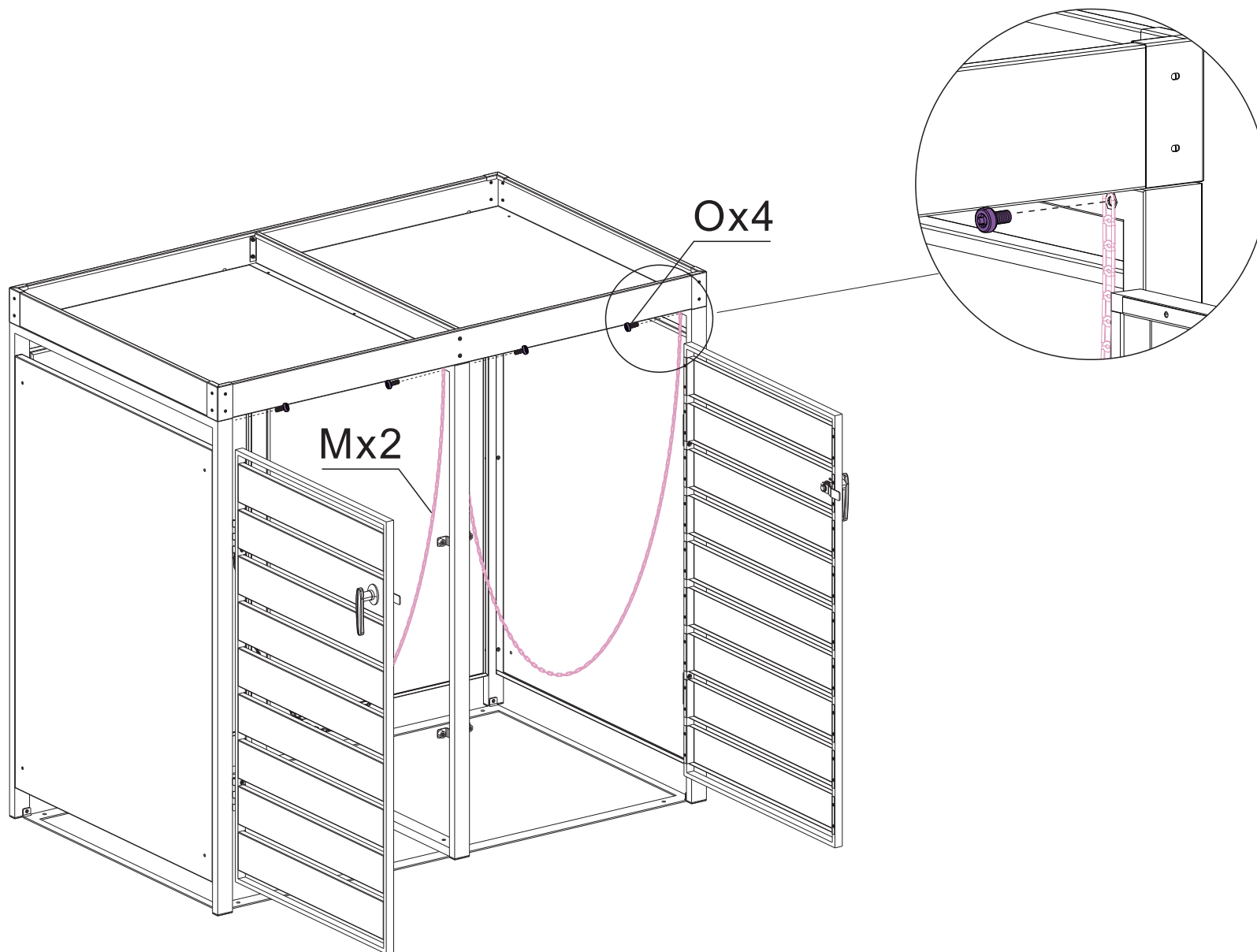


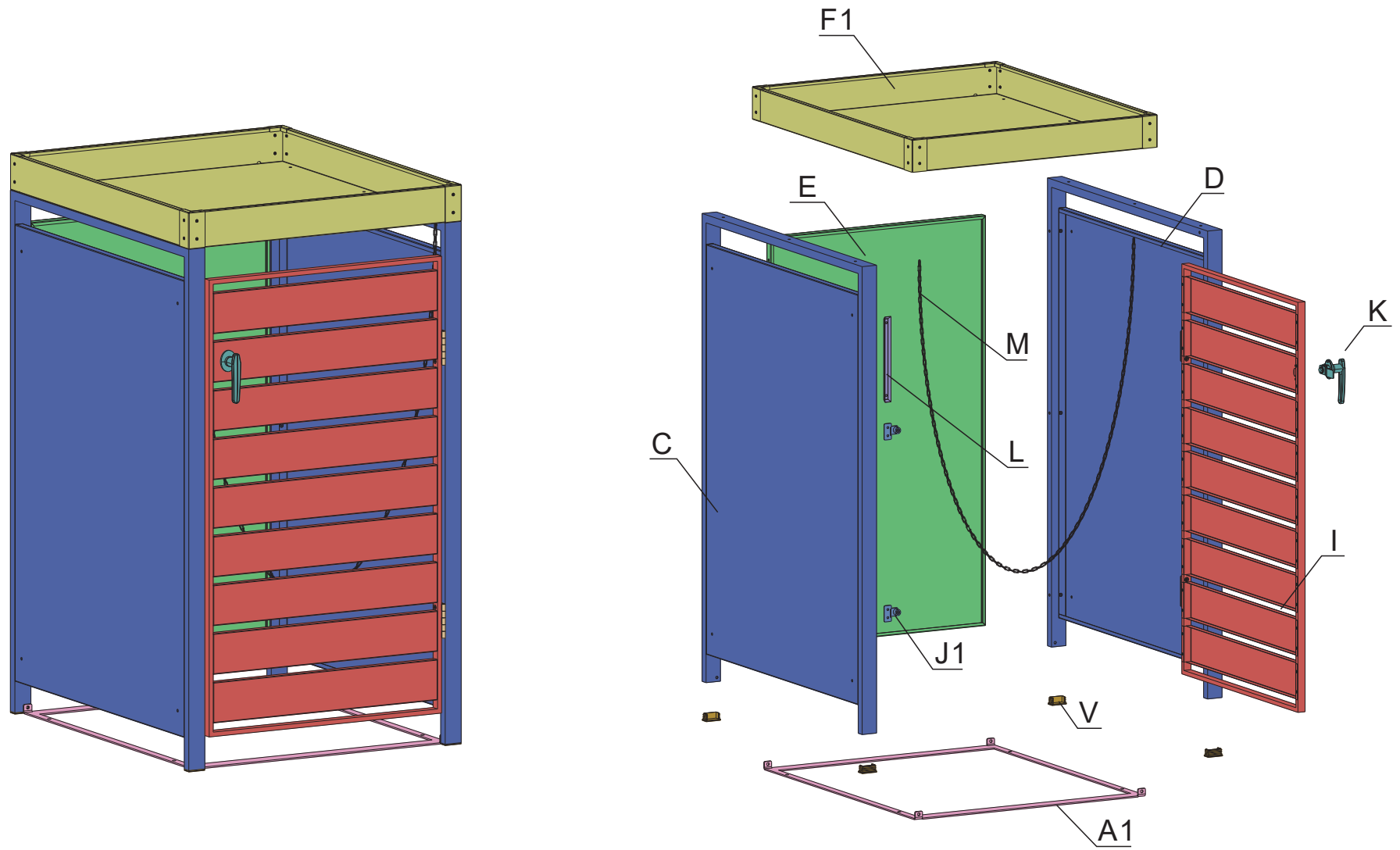
Kx2

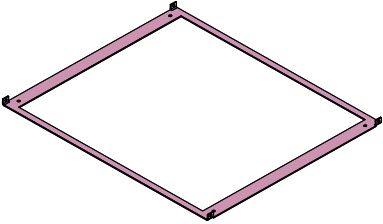
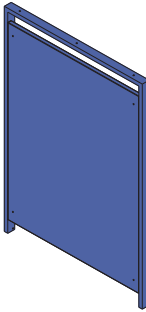
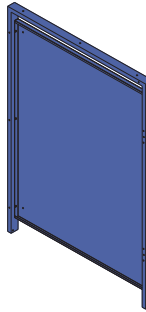
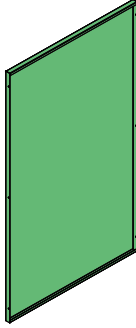
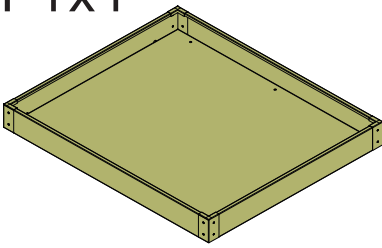

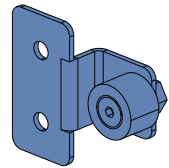
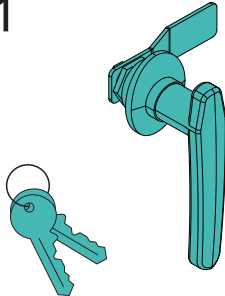
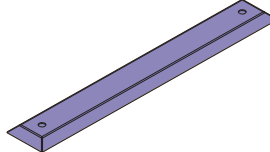
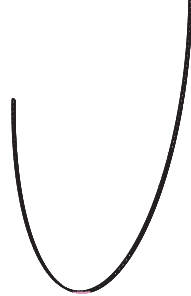
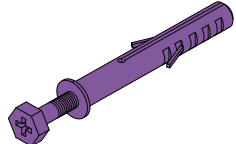
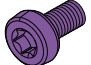

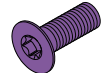
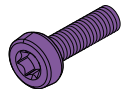

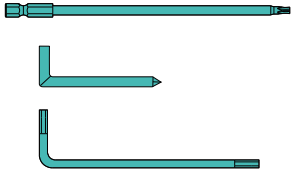
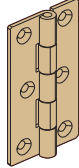
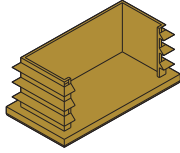
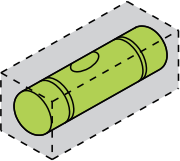
# STEP 10



# STEP11

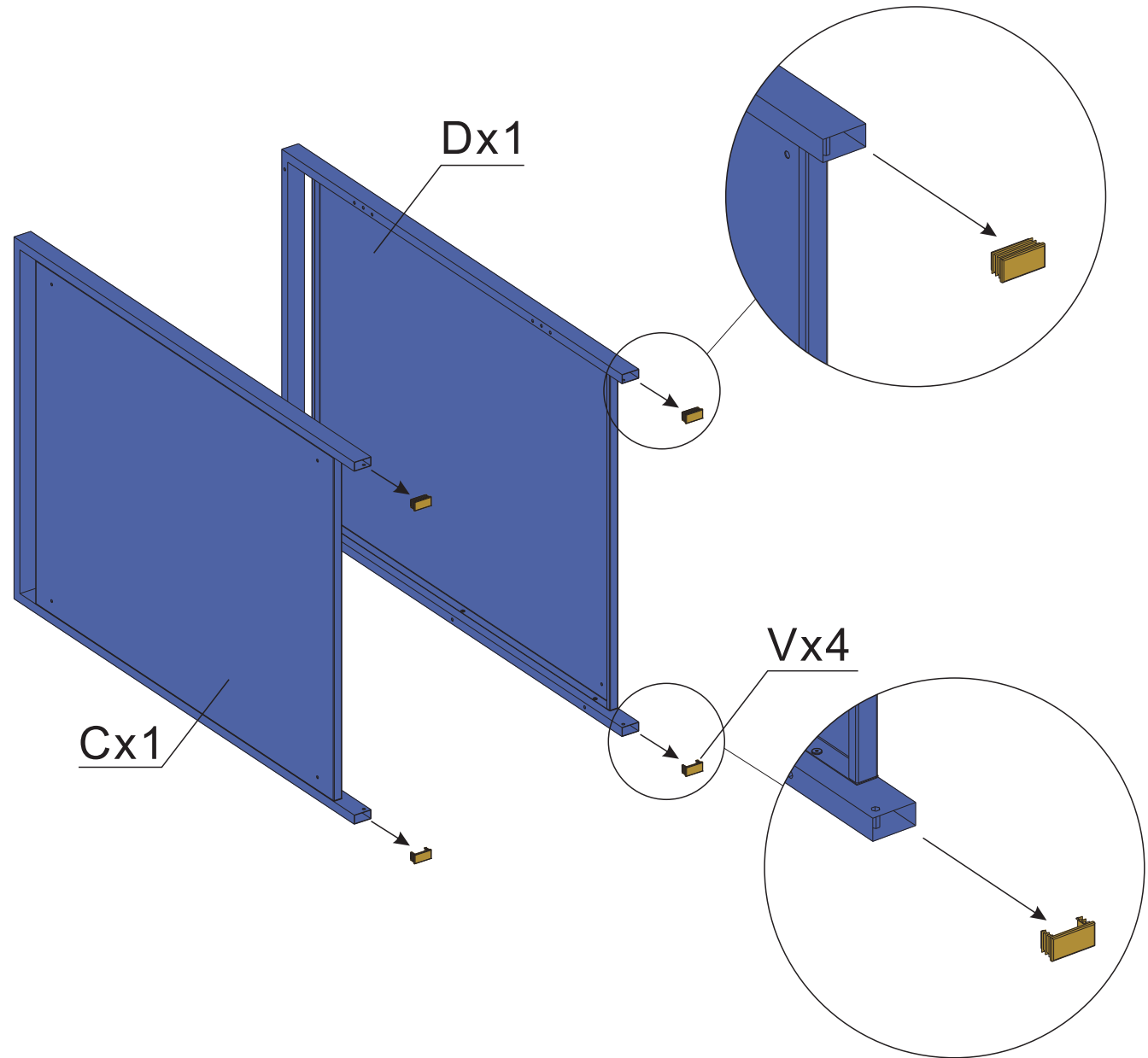
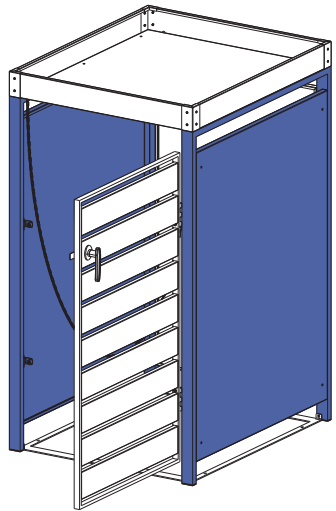
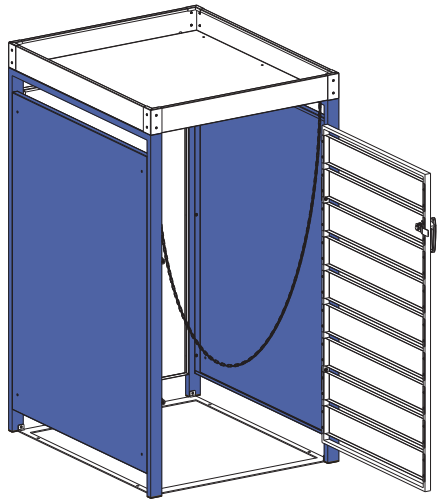




<p>A1x1</p> 	<p>Cx1</p> 	<p>Dx1</p> 	<p>Ex1</p> 	<p>F1x1</p> 
<p>Ix1</p> 	<p>J1x2</p> 	<p>Kx1</p> 	<p>Lx1</p> 	<p>Mx1</p> 
<p>Nx4</p> 	<p>Ox18</p>  <p>M4x10mm</p>	<p>Px4</p> 	<p>Qx16</p>  <p>M4x14mm</p>	<p>Rx6</p>  <p>M4x20mm</p>
<p>Sx4</p> 	<p>Tx1</p> 	<p>Ux2</p> 	<p>Vx4</p> 	<p>Wx1</p> 

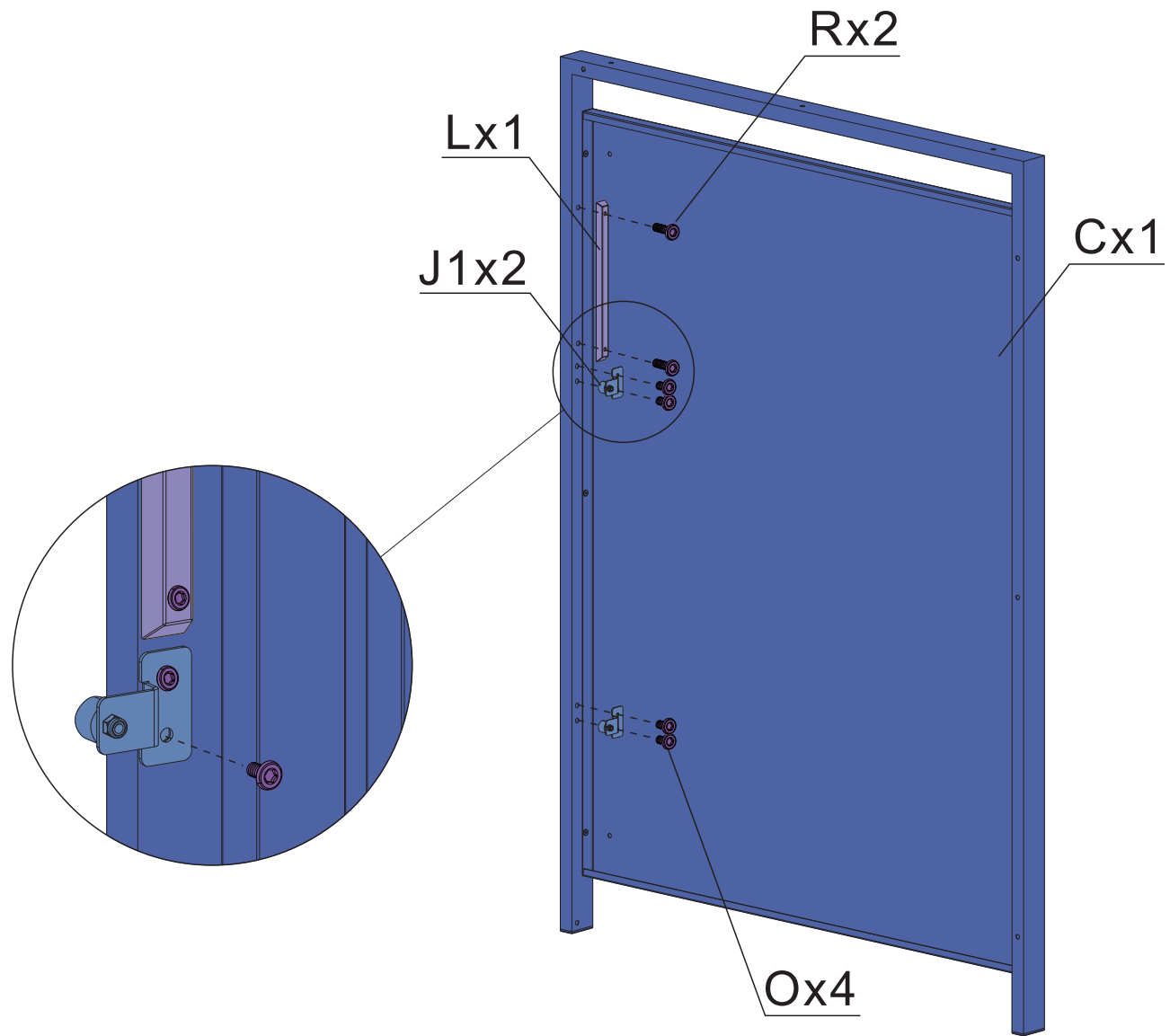
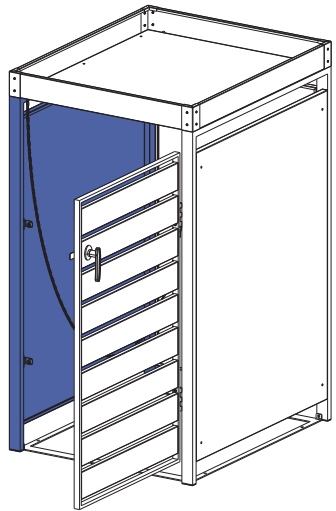
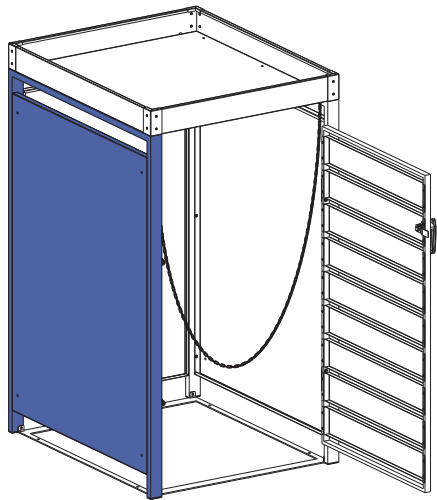
Note: If you want to connect the similar trash can, please use part R,S,P.

# STEP 1

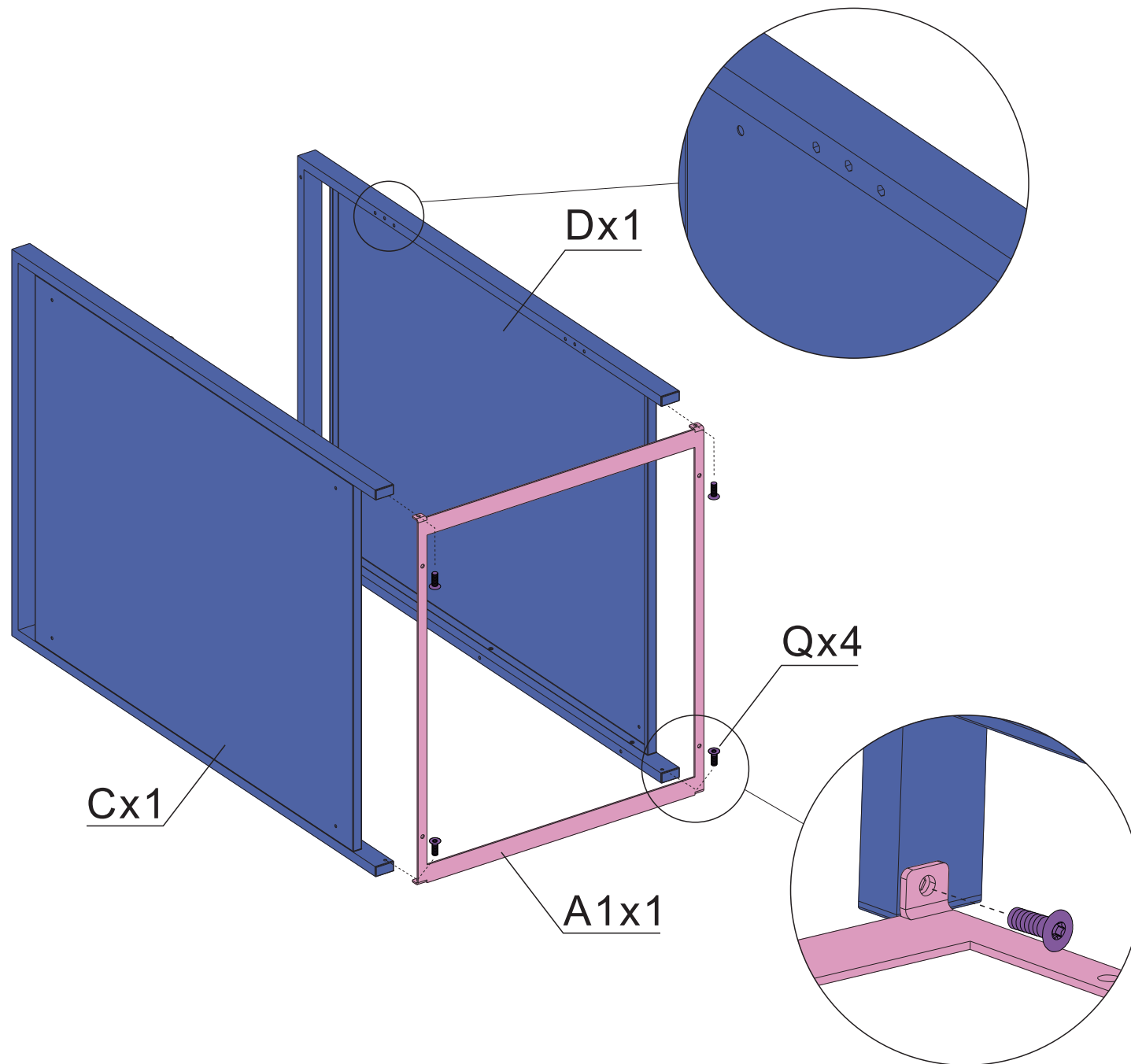
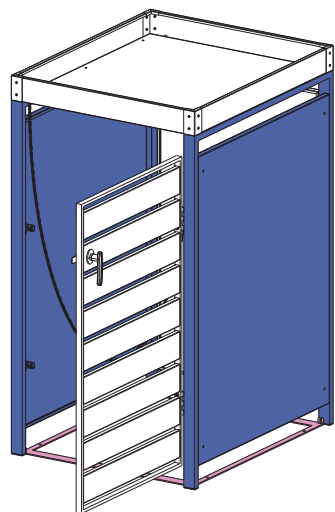
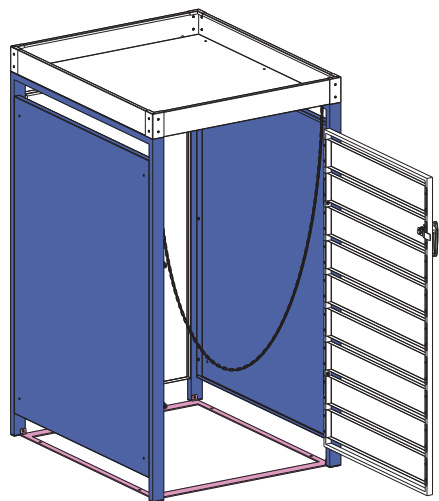




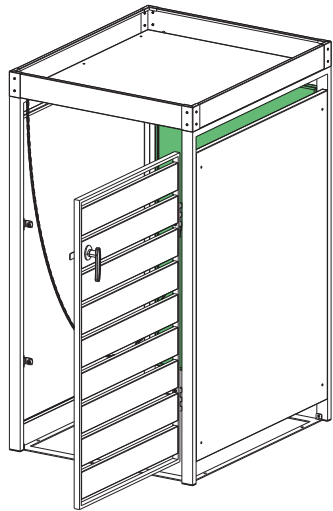
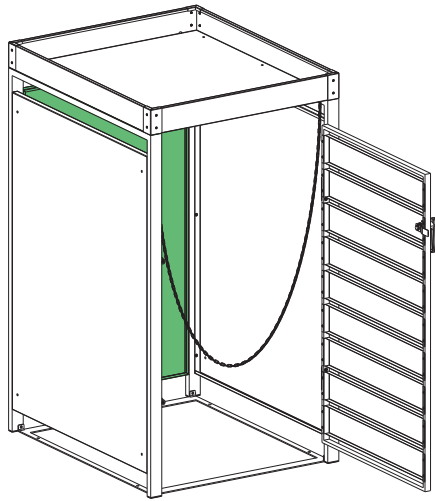
# STEP 2



# STEP 3

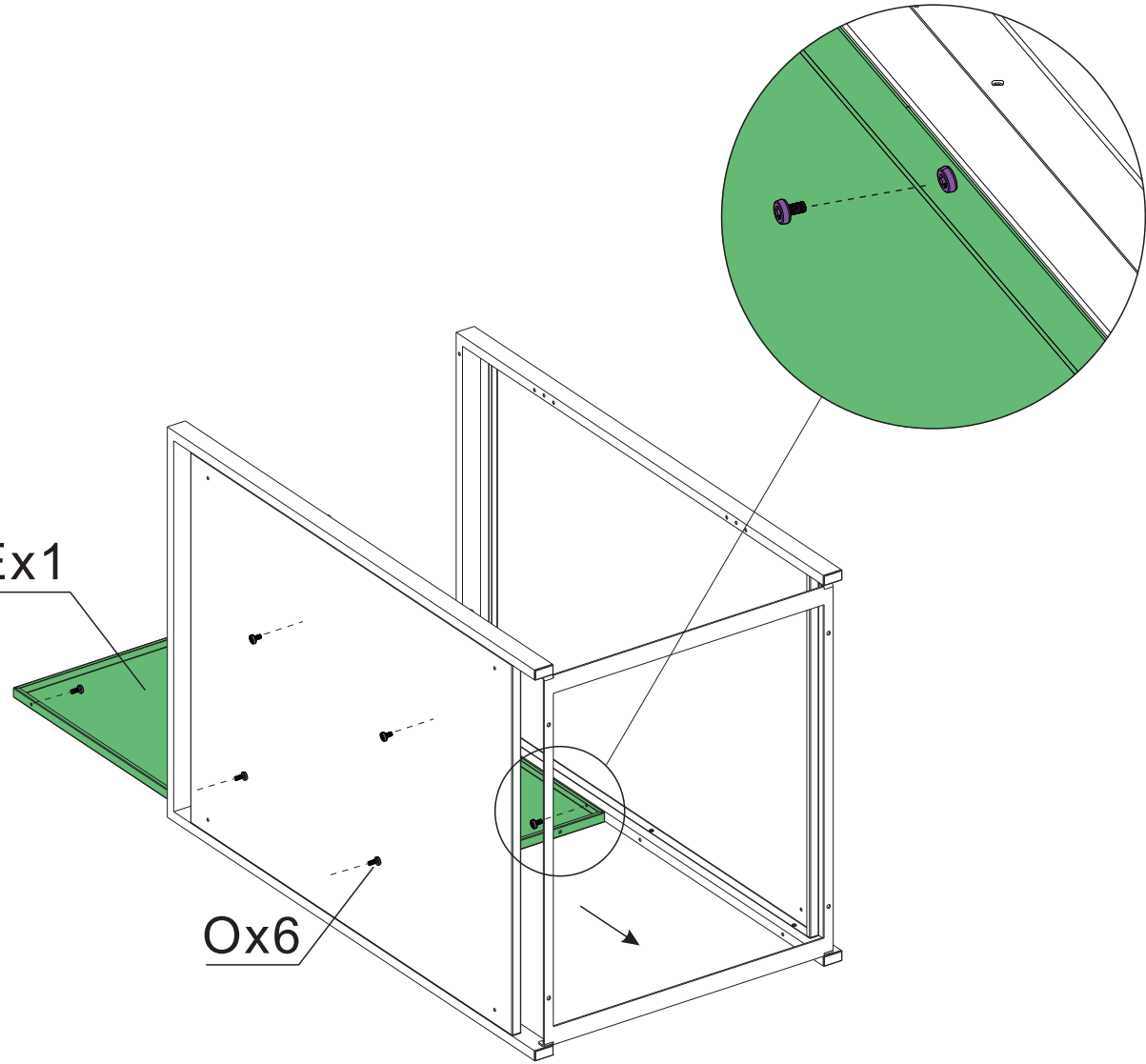


# STEP 4

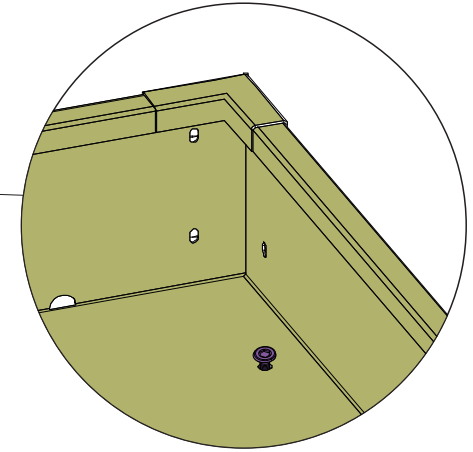
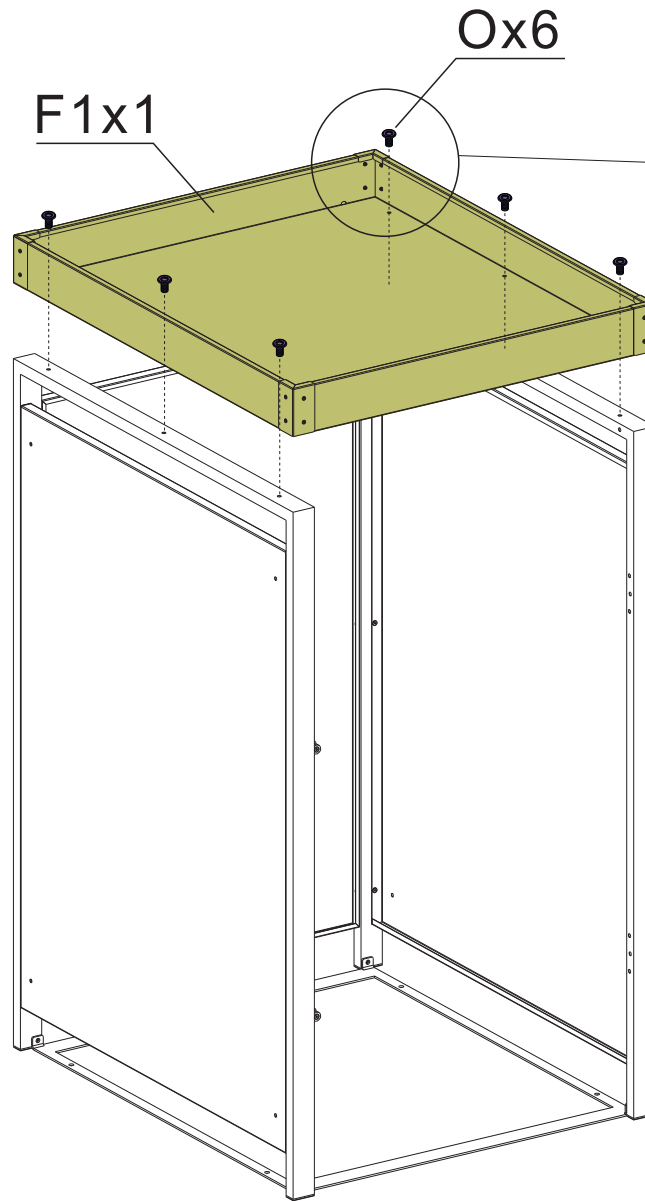
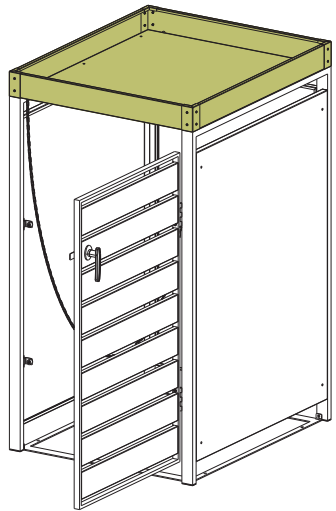
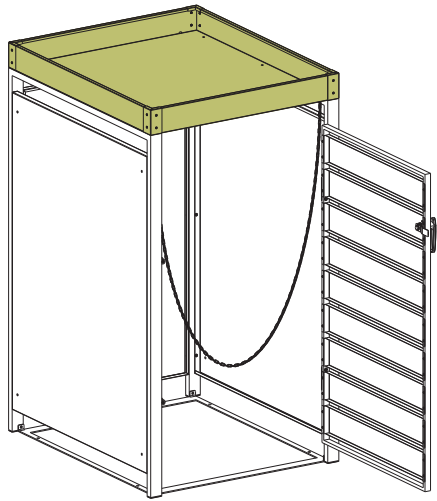


Ex1

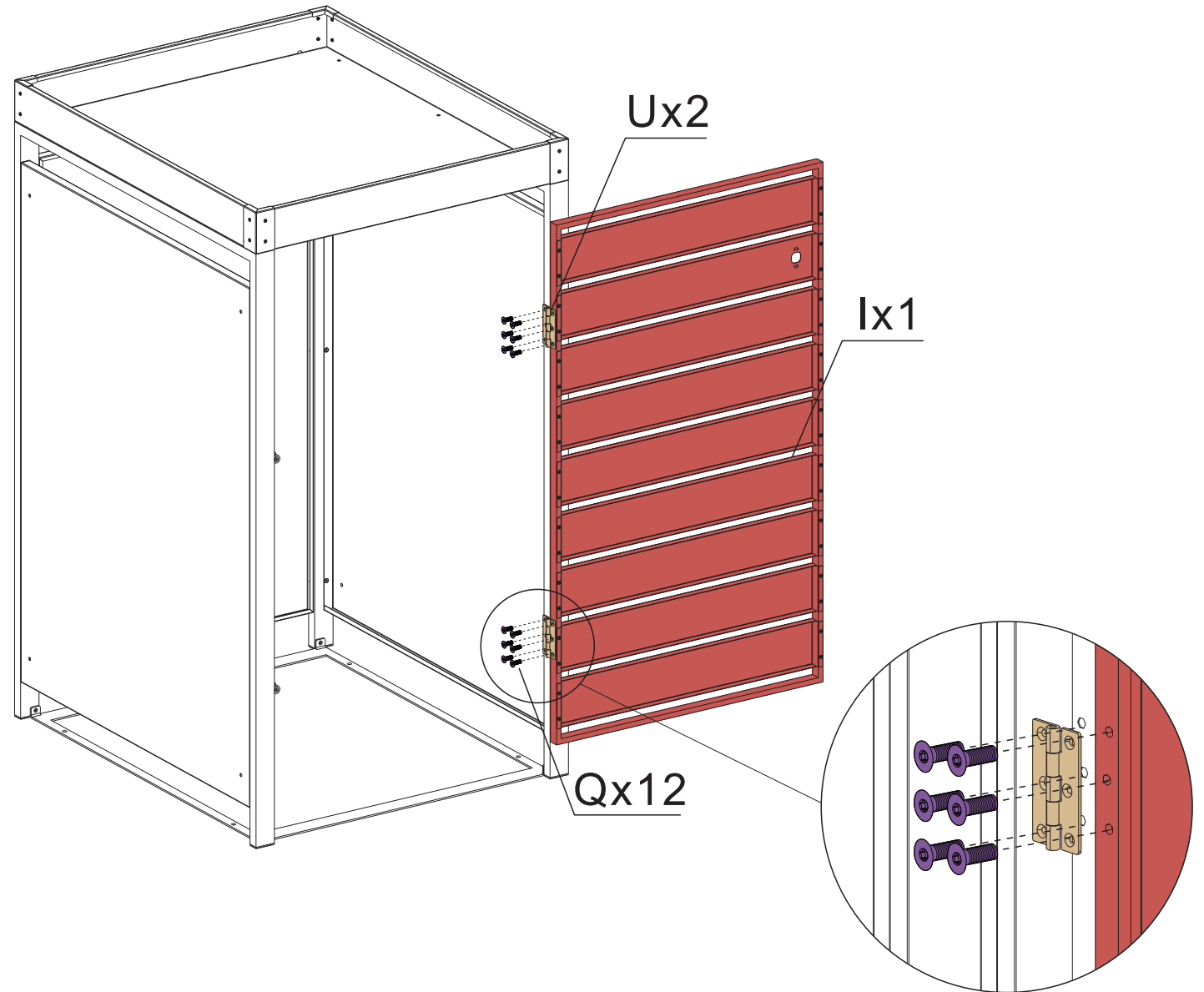
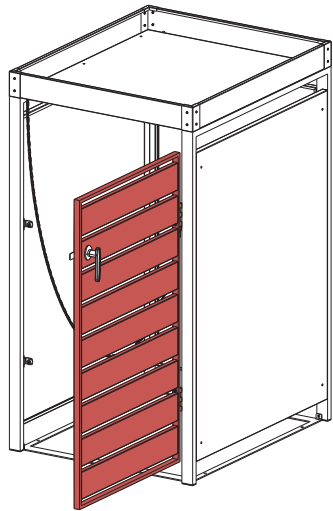
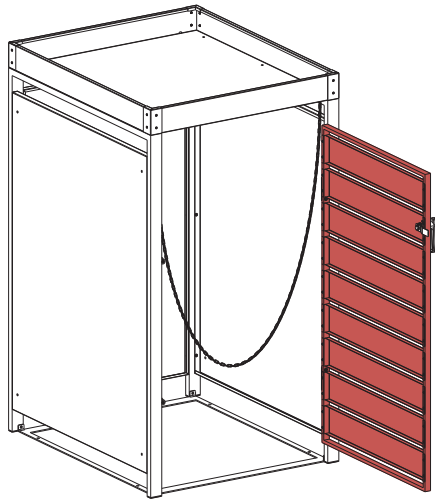
Ox6



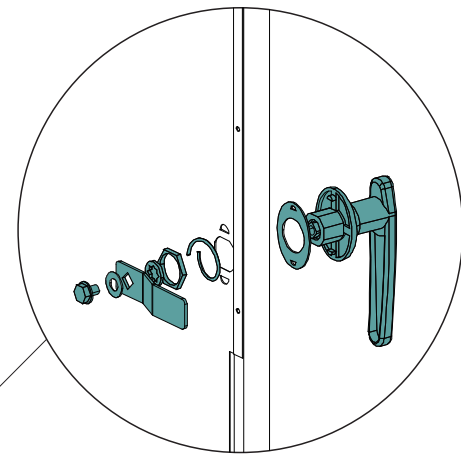
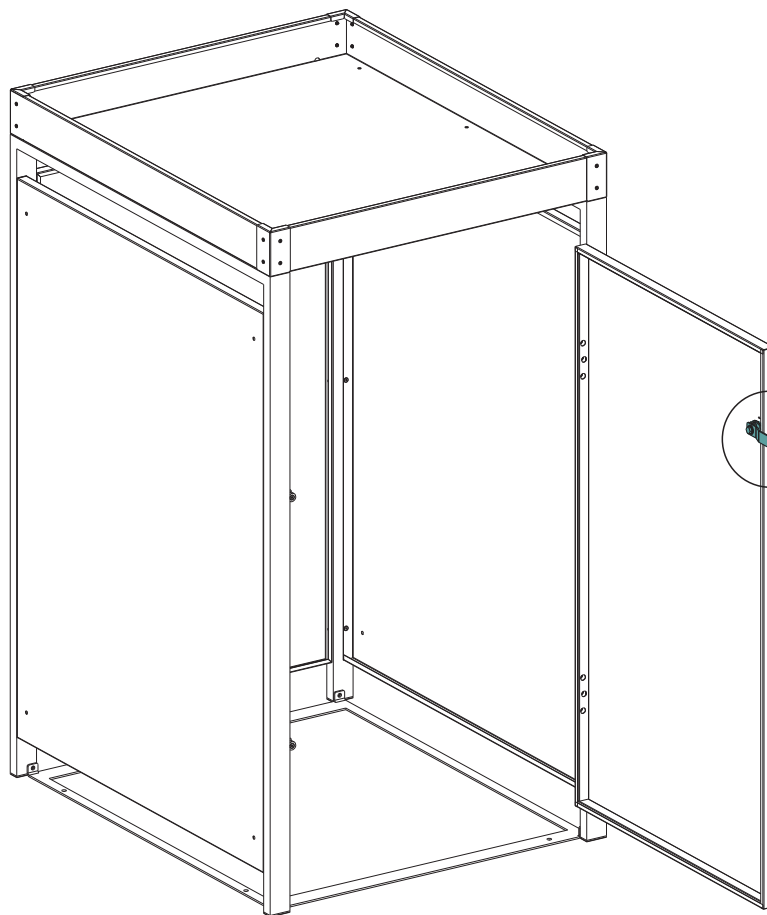
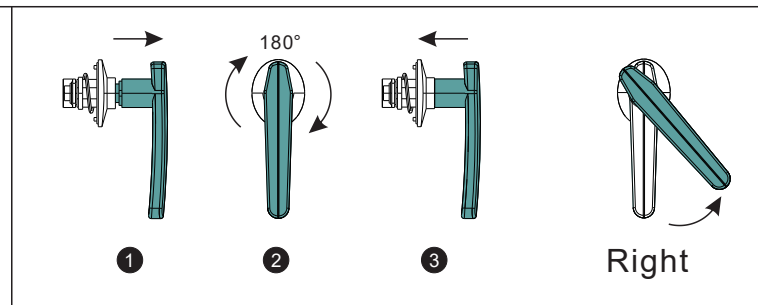
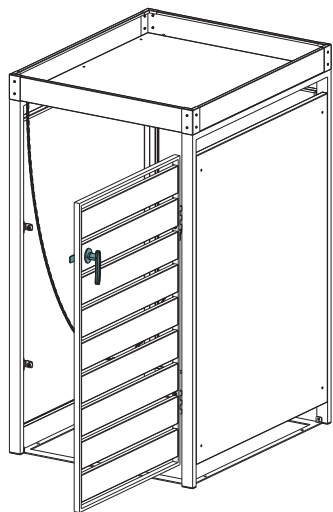
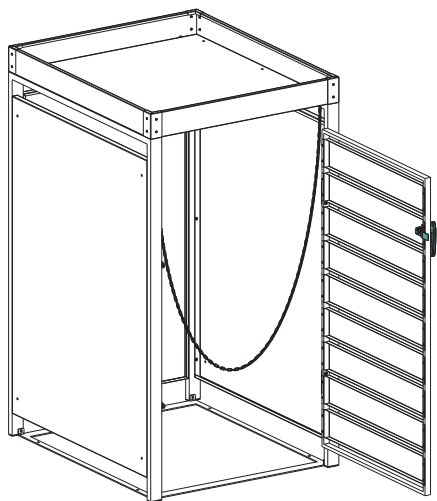
# STEP 5



# STEP 6

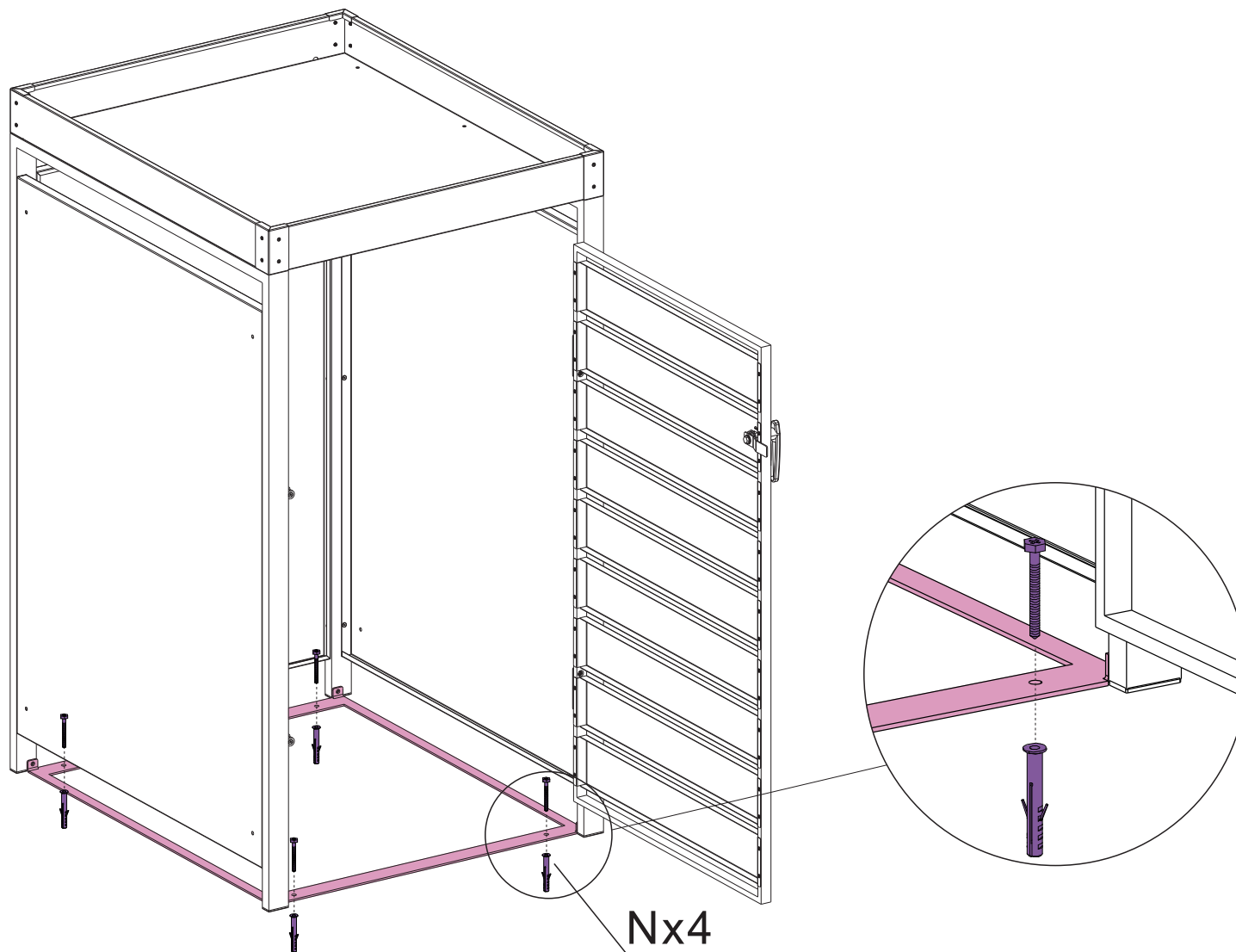


# STEP 7



Kx1

# STEP 8



# STEP 9

