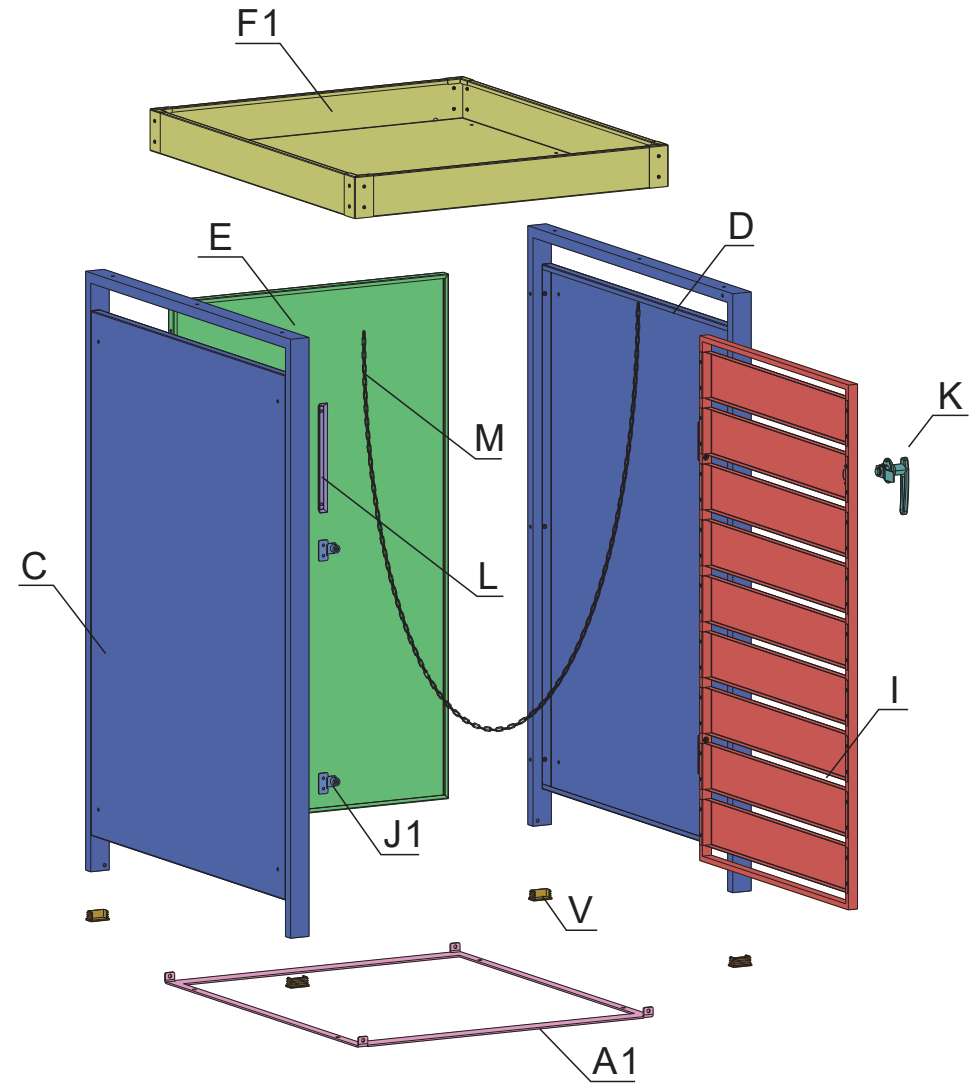
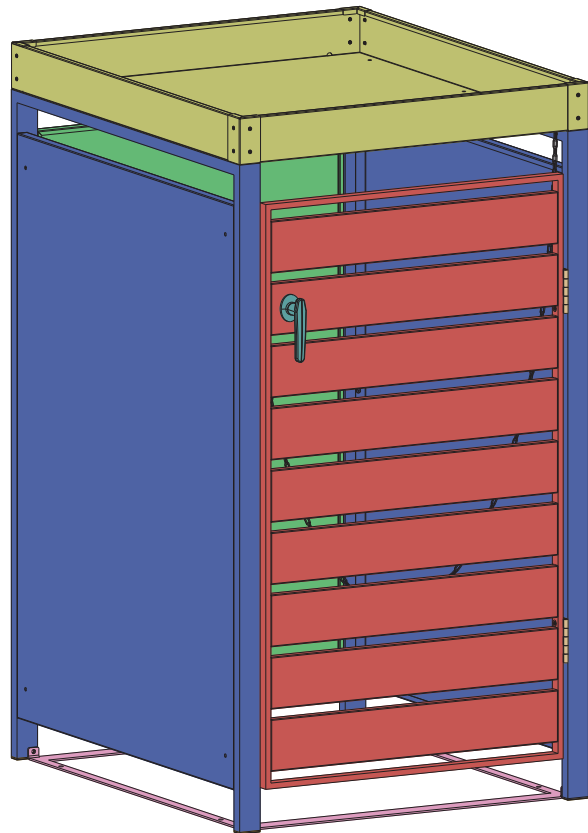
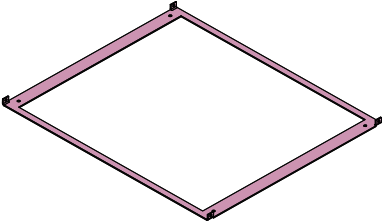
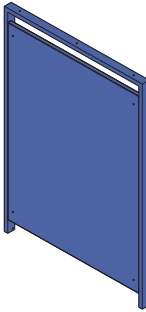
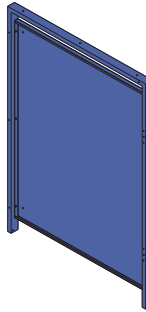
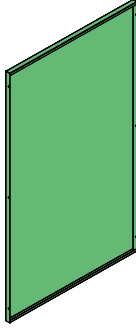
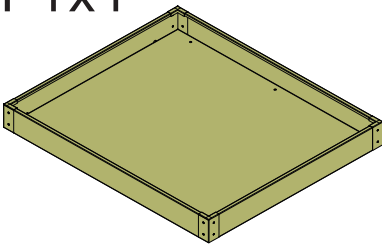

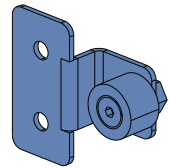
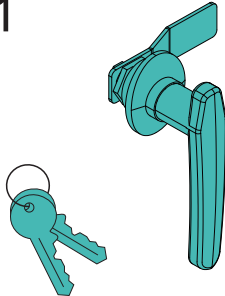
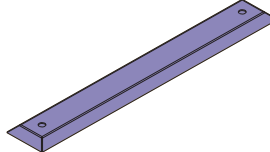
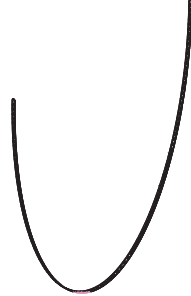
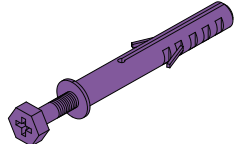
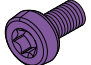

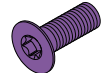
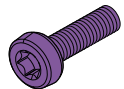

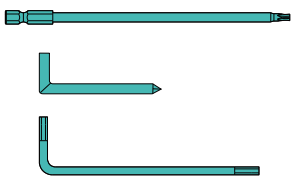
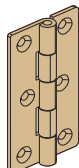
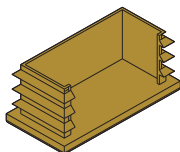
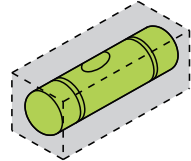


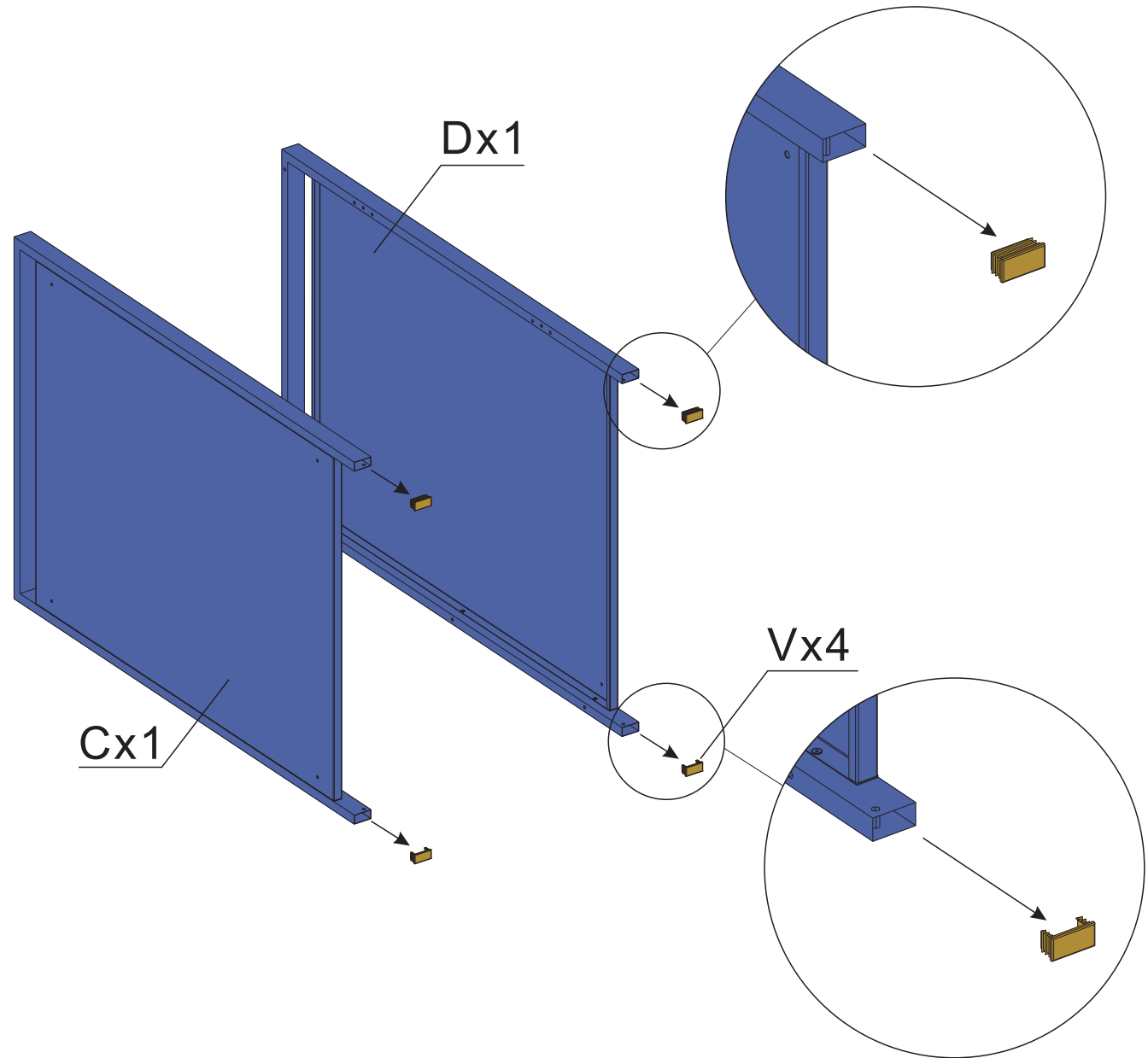
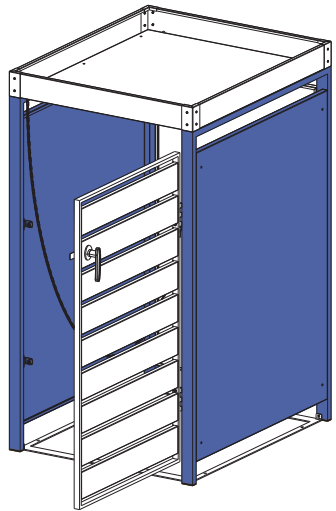
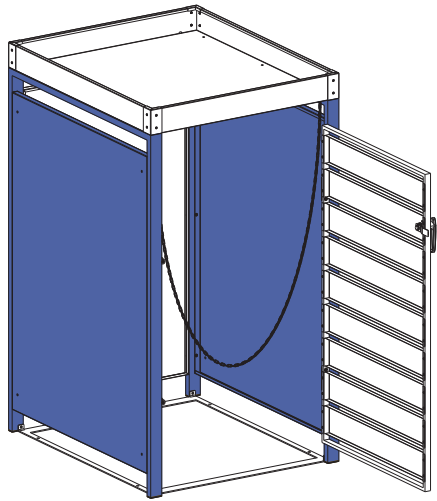
Kingdom Teak



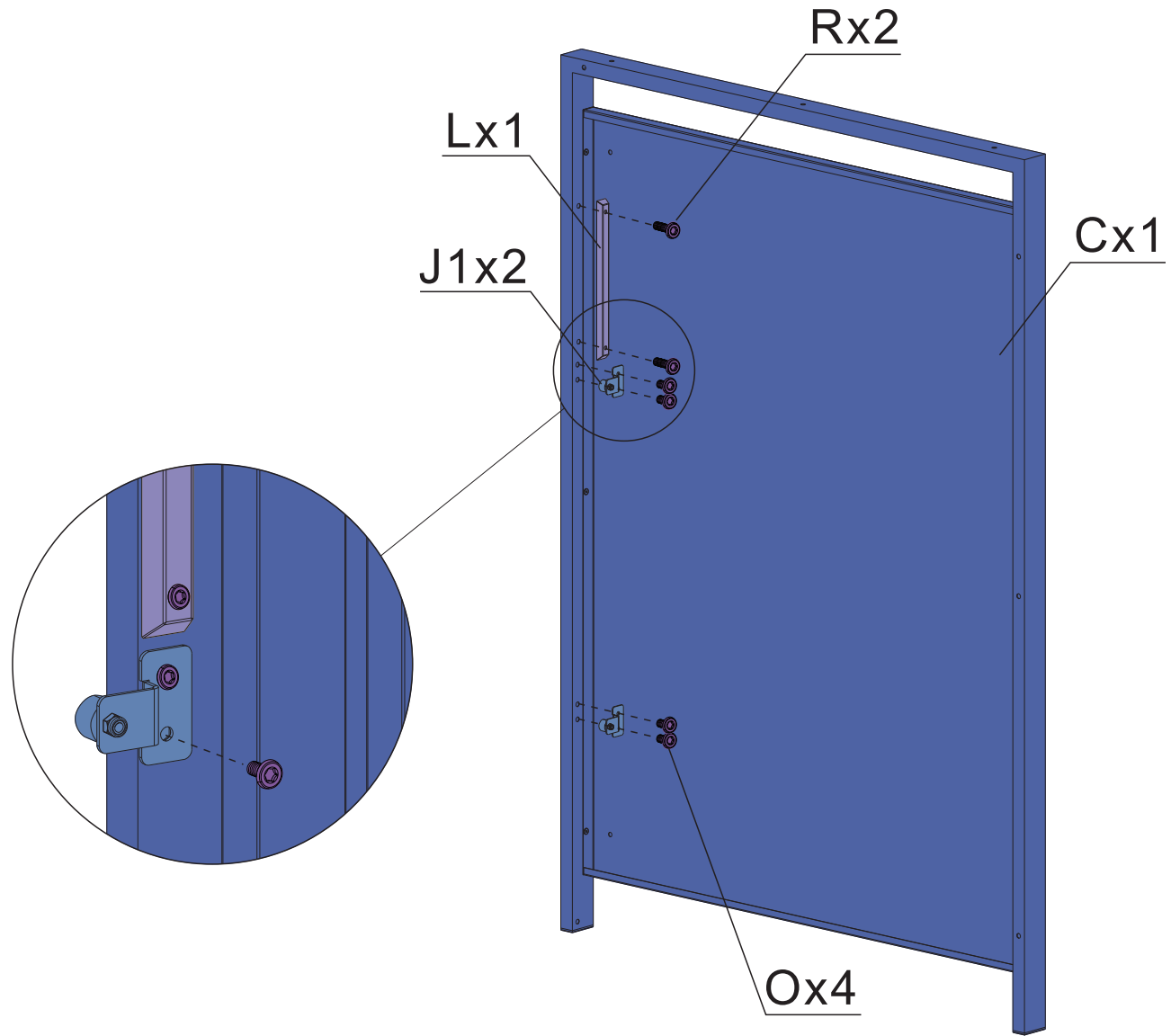
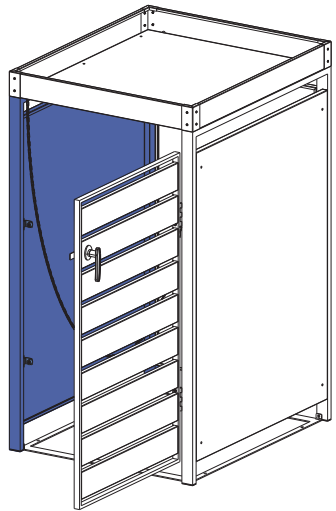
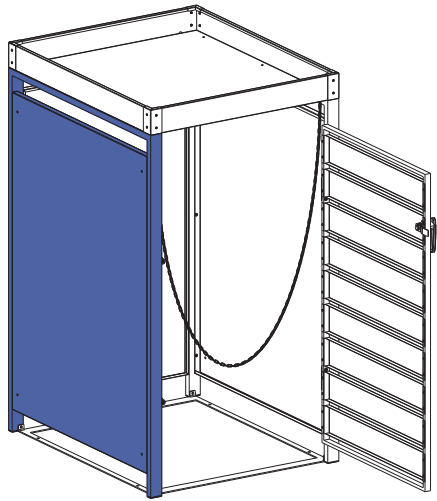
<p>A1x1</p> 	<p>Cx1</p> 	<p>Dx1</p> 	<p>Ex1</p> 	<p>F1x1</p> 
<p>Ix1</p> 	<p>J1x2</p> 	<p>Kx1</p> 	<p>Lx1</p> 	<p>Mx1</p> 
<p>Nx4</p> 	<p>Ox18</p>  <p>M4x10mm</p>	<p>Px4</p> 	<p>Qx16</p>  <p>M4x14mm</p>	<p>Rx6</p>  <p>M4x20mm</p>
<p>Sx4</p> 	<p>Tx1</p> 	<p>Ux2</p> 	<p>Vx4</p> 	<p>Wx1</p> 

Note: If you want to connect the similar trash can, please use part R,S,P.

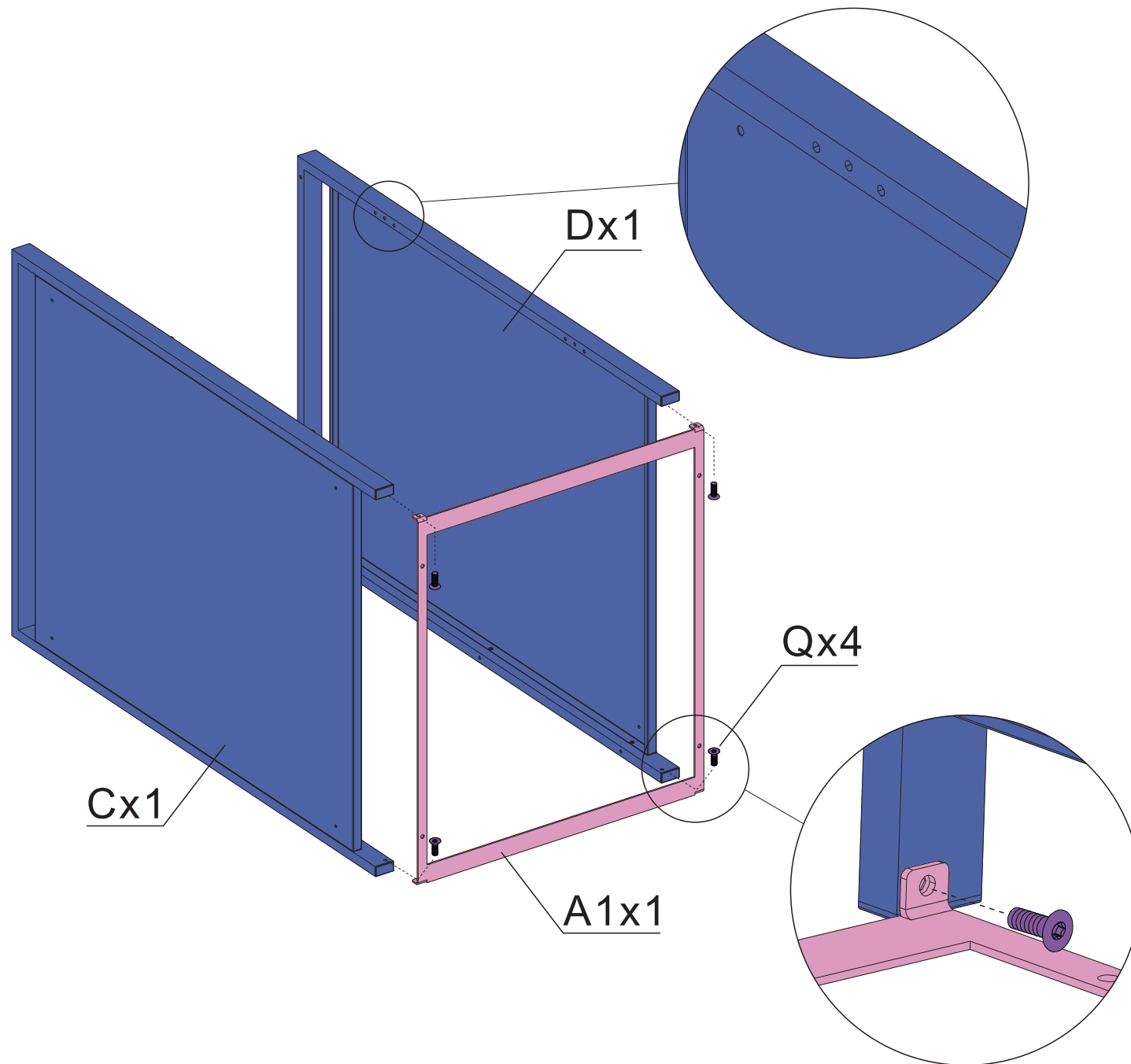
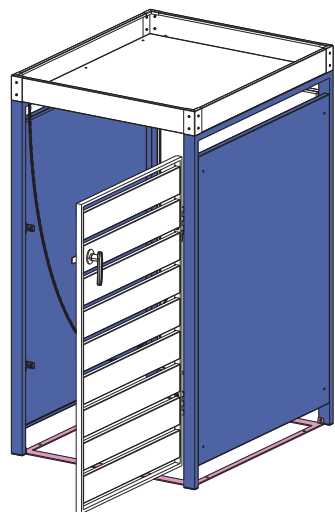
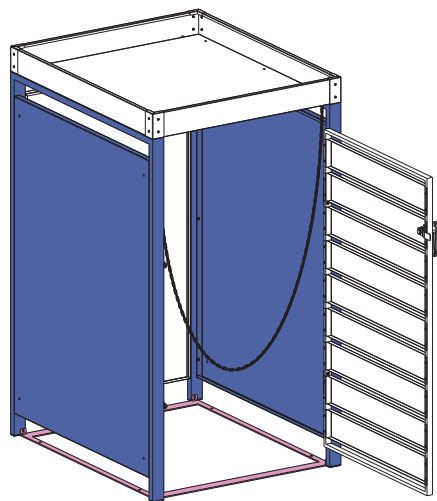
STEP 1



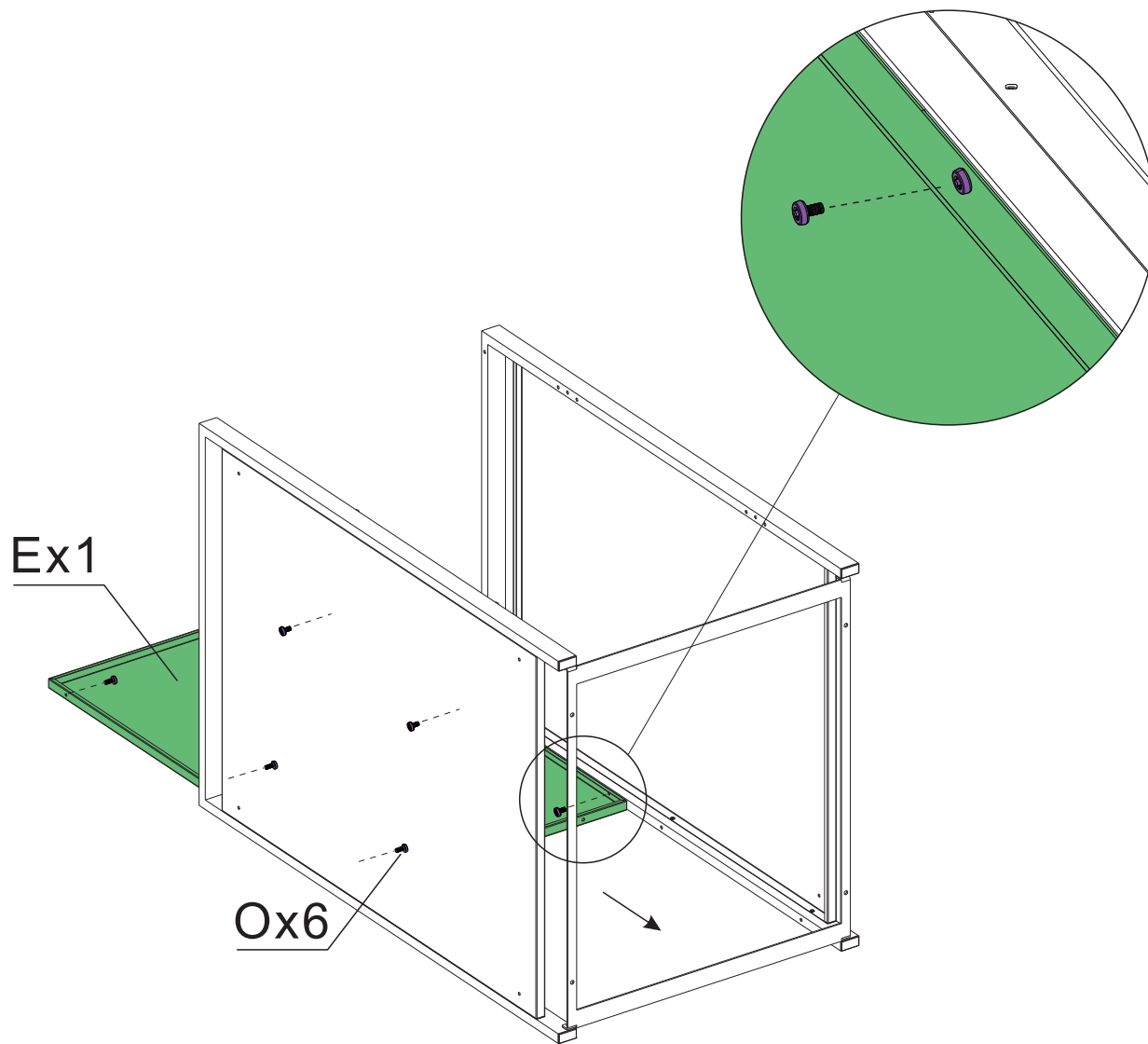
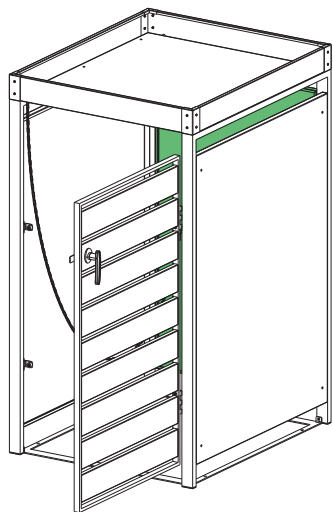
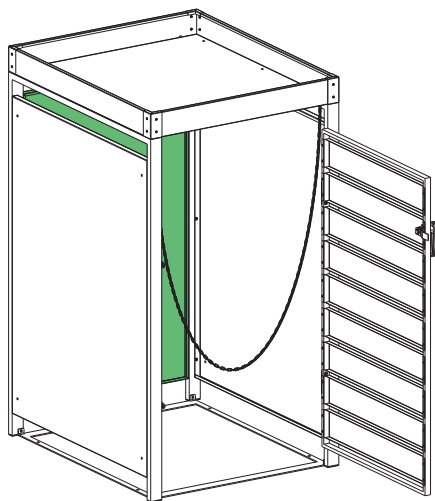
STEP 2



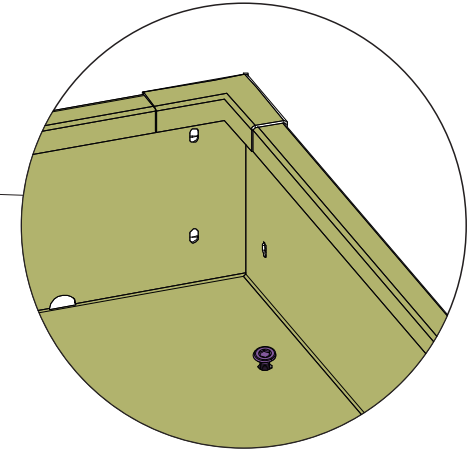
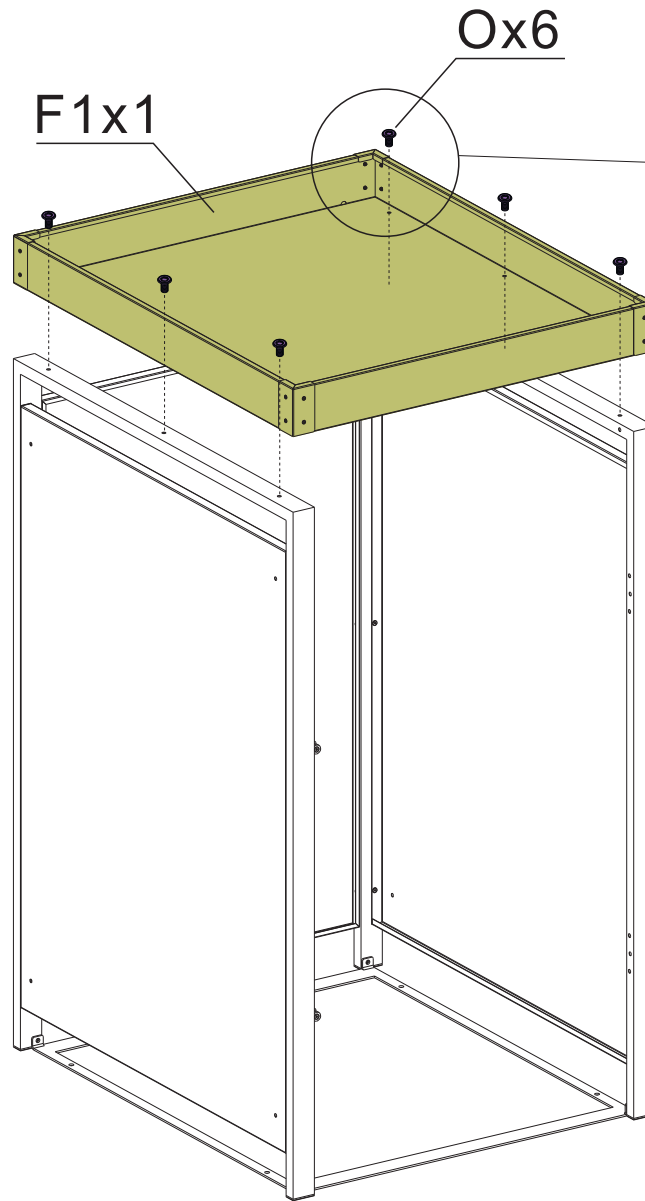
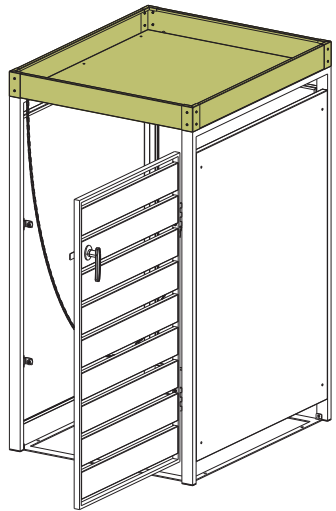
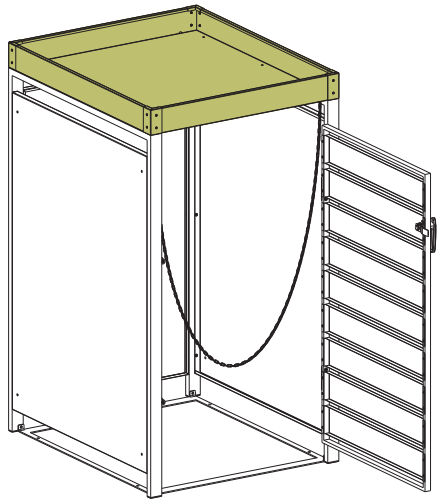
STEP 3



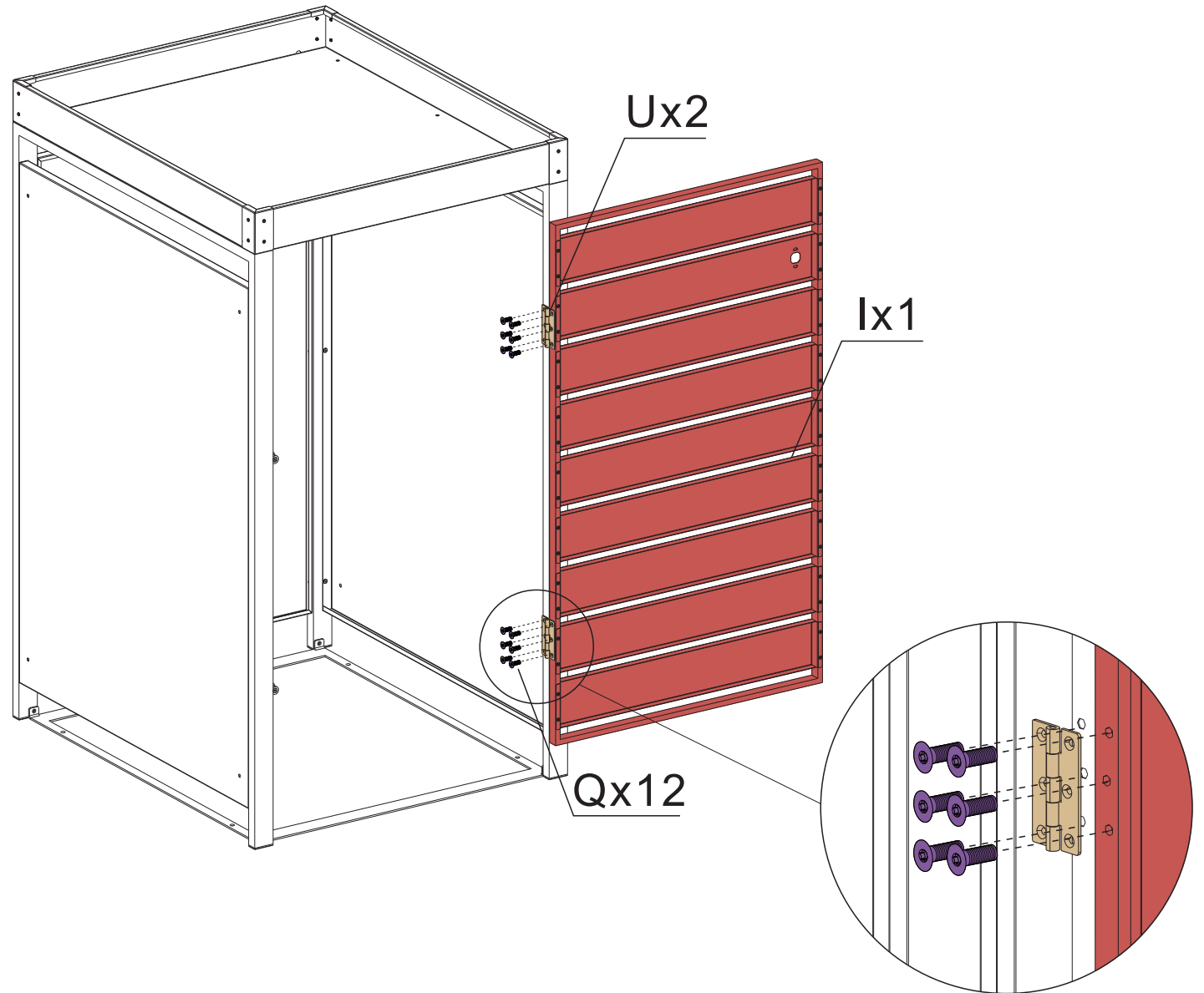
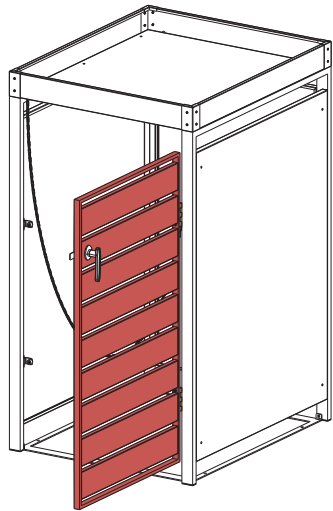
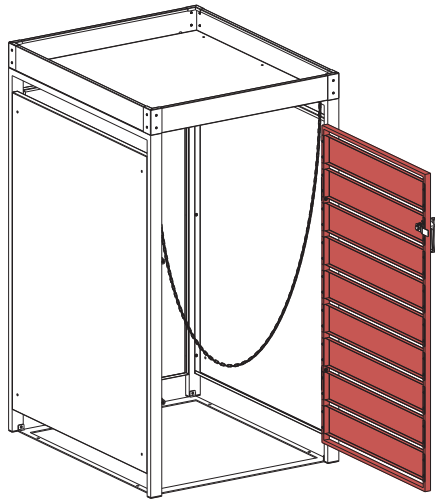
STEP4



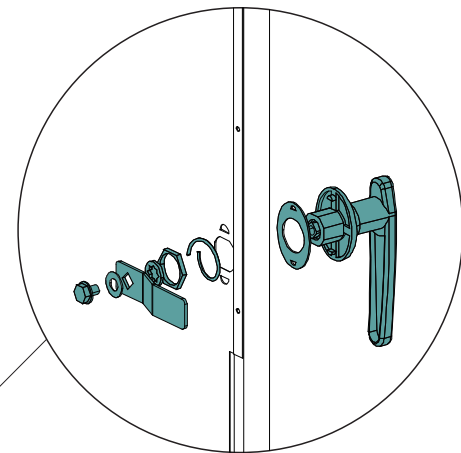
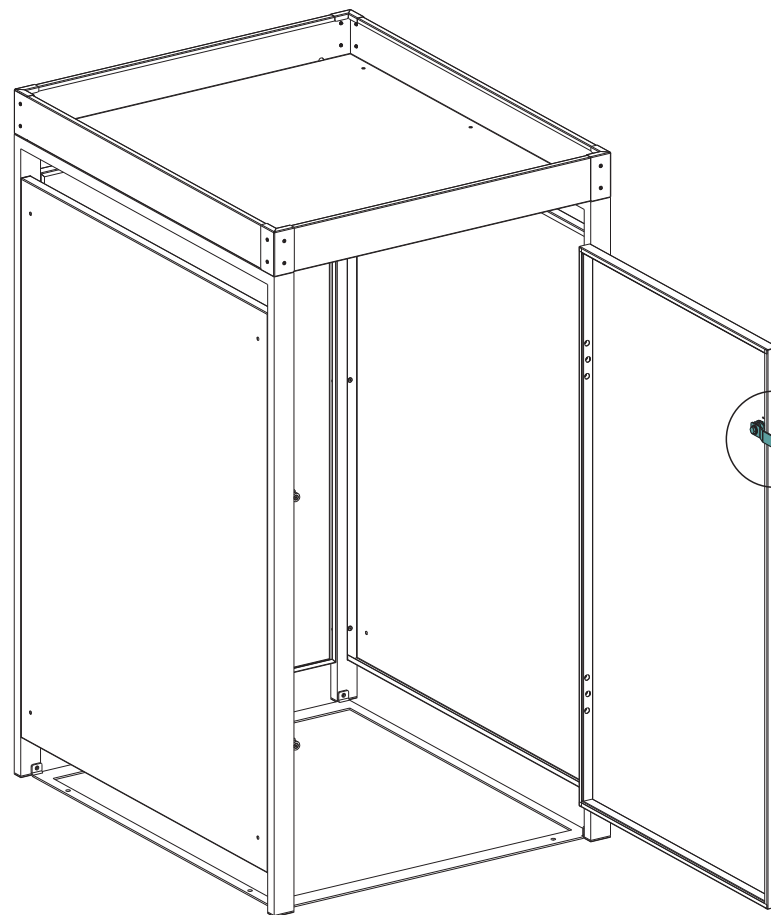
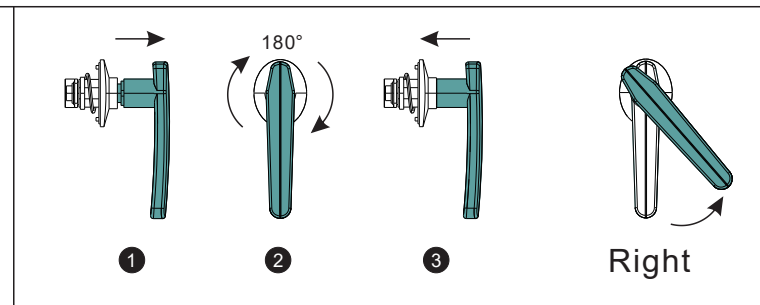
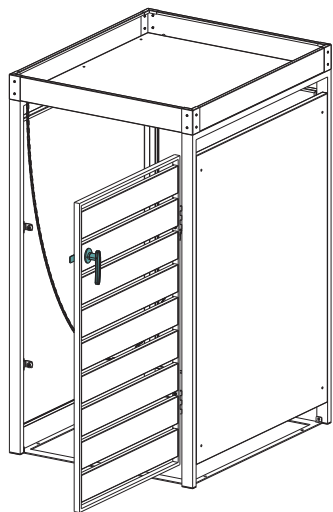
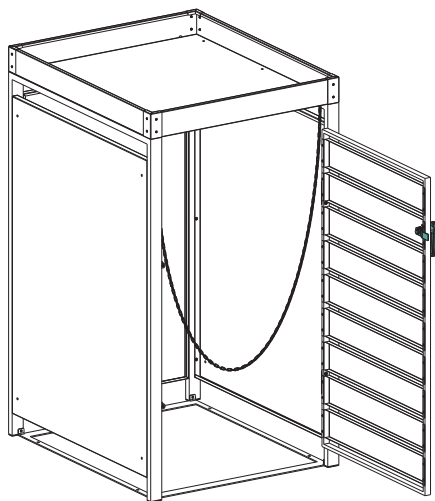
STEP 5



STEP 6

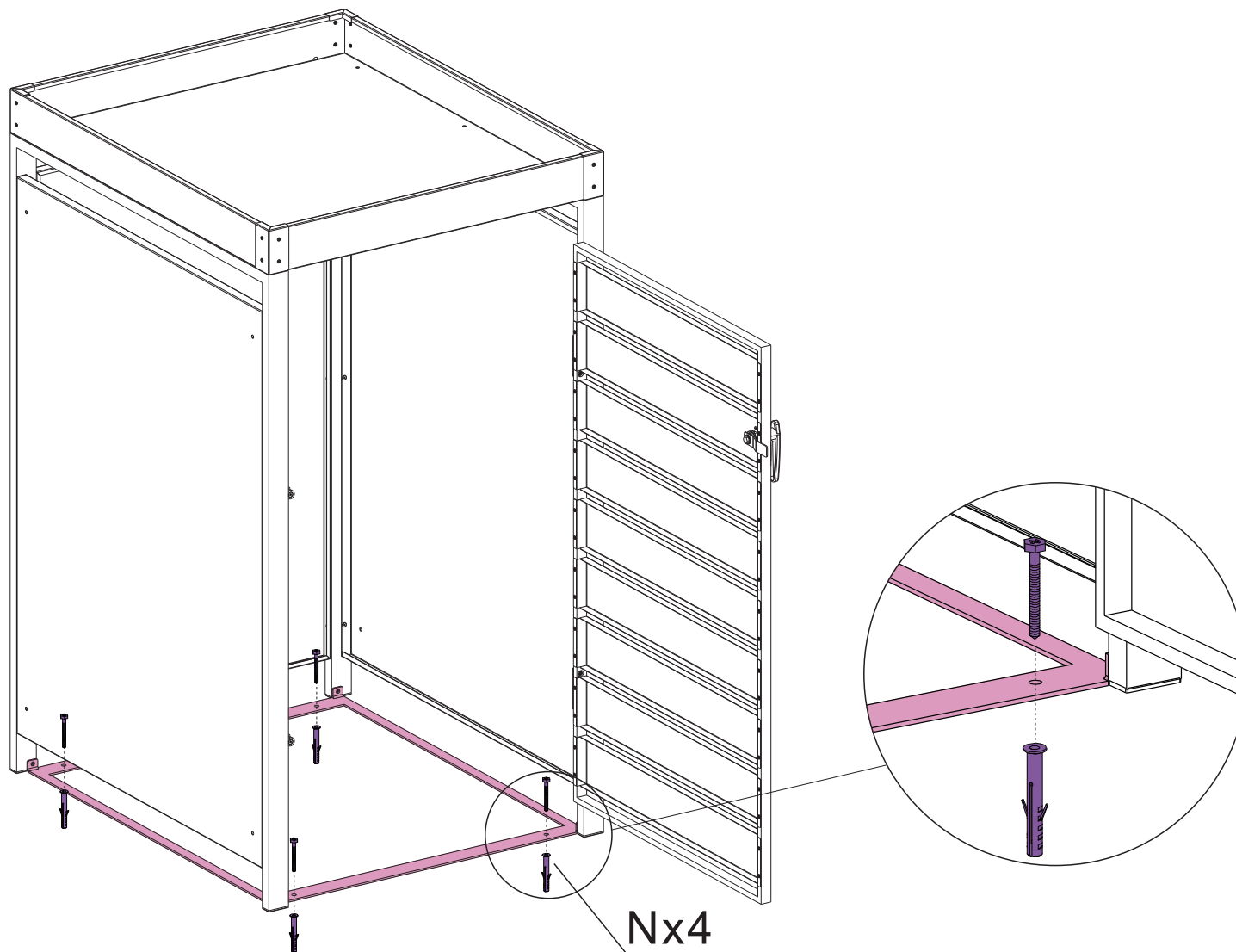


STEP 7



Kx1

STEP 8



STEP 9

