

OWNER'S MANUAL

10'x14' HARDTOP GAZEBO

Warning

1. It is the consumer's responsibility to comply with any building codes, ordinances, zoning limitations, or local homeowner's restrictions and obtain any required permit, before purchase and installation of the products.
2. Two persons are required for assembly. The tools required stepladder and other safety items such as gloves, safety eye wear and hardhat. To avoid injury from exposed sharp edges, it may be necessary to use the above safety equipment.
3. This unit will take at least 5 hours to set up. You must schedule enough time to complete the assembly so you don't leave it unattended if not fully assembled, even if bolted to the ground.
 - Make sure that all components are in the box. Read instructions carefully before starting the assembly.
 - Follow all instructions to assure the strength of the shelter.
 - Help from another person is required to assemble the shelter.
 - In order to avoid damage to the shelter and its components, use appropriate tools. Do not use the structure as a support; a stepladder is recommended.
 - Check all screws on a regular basis to maintain the solidity of the structure.
 - Keep instructions and parts list for further use.
4. The screws to anchor on wood deck and concrete patio aren't included.
5. **DO NOT REMOVE THE PROTECTIVE FILM ON THE POLYCARBONATE ROOF PANELS BEFORE INSTALLATION (STEP 18). MAKE SURE TO PUT THE UV PROTECTED SIDE FACING UP. IT IS A VERY IMPORTANT PROCEDURE IF NOT FOLLOWED AS DESCRIBE, YOUR ROOF WILL NOT BE COVERED BY THE GUARANTY.**

Maintenance

- In the event that your sun shelter needs replacement parts, repairs or you require assistance with regards to assembly, please contact the garden centre where purchased.
- For cleaning: Use a mild domestic soap or soft detergent and wash with warm water using a sponge or microfiber fabric. Rinse with clean water.




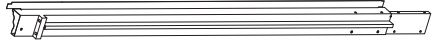




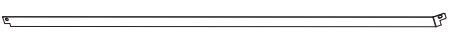

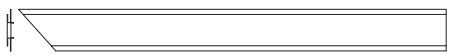

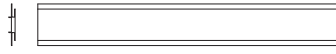






Attention


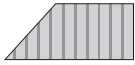

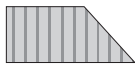
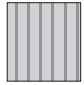
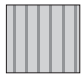



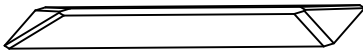
- Your shelter has been created for all four seasons and will resist to snow accumulations of 2000 lb; you need to removing any excess of snow on the roof at all time.
- The mosquito nets must be removed for winter storage.

EXCLUDED:


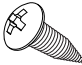


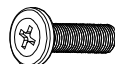
- Damages due to vandalism, abuse and wrong use of the product is not covered by the warranty.
- Damages due to extreme weather conditions such as thunderstorm, hailstorm and windstorm.

Parts List

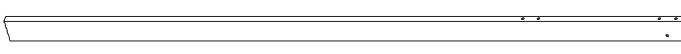
Item	Description	Qty	Illustration
A	Column	4	
B1	Short Ogee	2	
B2	Short Ogee	2	
B3	Long Ogee	2	
B4	Long Ogee	2	
C	Corner Roof bar	4	
D	Middle Roof bar	8	
E1	Left Roof side structure	4	
E2	Right Roof side structure	4	
E3	Middle Roof side structure	4	
F1	Left Roof support bar	4	
F2	Right Roof support bar	4	
F3	Middle Roof support bar	4	
G	Bases	4	
H	Corner cover	4	
I	Joint cover	4	
J	Solidifying bar	4	
K	Solidifying bar	8	
L	Hook	112	


Item	Description	Qty	Illustration
Ma	Left Roof panel (upside)	4	
Mb	Left Roof panel (downside)	4	
Na	Right Roof panel (upside)	4	
Nb	Right Roof panel (downside)	4	
Va	Middle Roof panel (upside)	4	
Vb	Middle Roof panel (downside)	4	
O	Corner finishing ends	4	
P	Finishing ends	8	
Q1	Inside roof connector	1	
Q2	Outside roof connector	1	

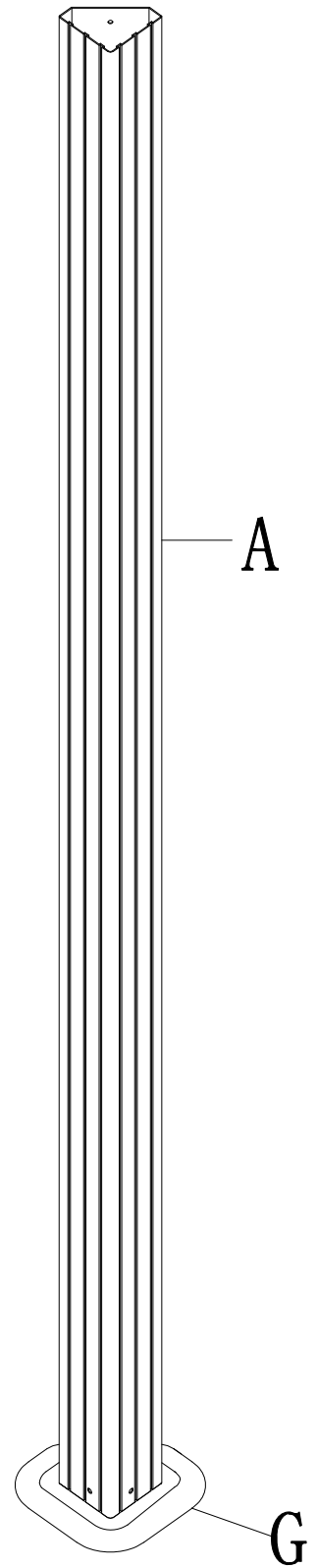
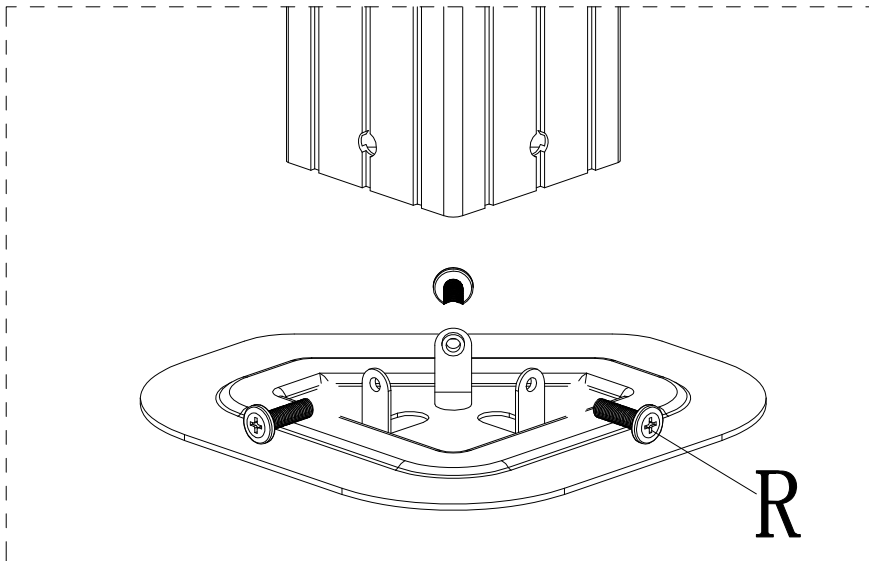
Hardware Kit

Item	Description	Qty	Illustration
R	M6 x 16 Screws	105	
S	M5 x 16 Screws	16	
T1	Mosquito netting	4	
R1	Screw	2	
R2	M6 x20 Screws	25	 M6 x 20

Step-1

A  x4

G  x4



- Install column (A) on base (G) using screws (R).

x4


Step-2

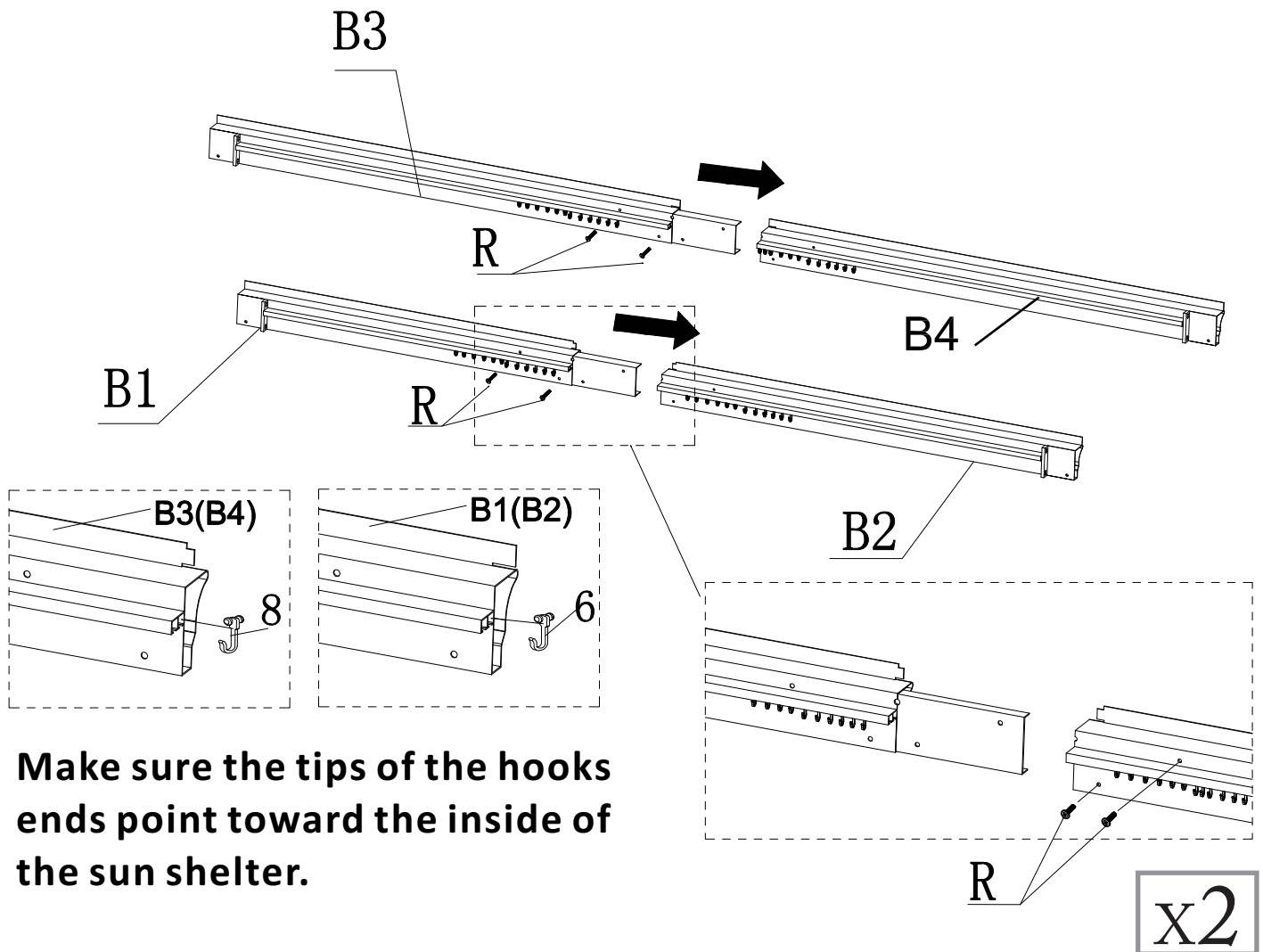
B1  x2

B2  x2

B3  x2

B4  x2

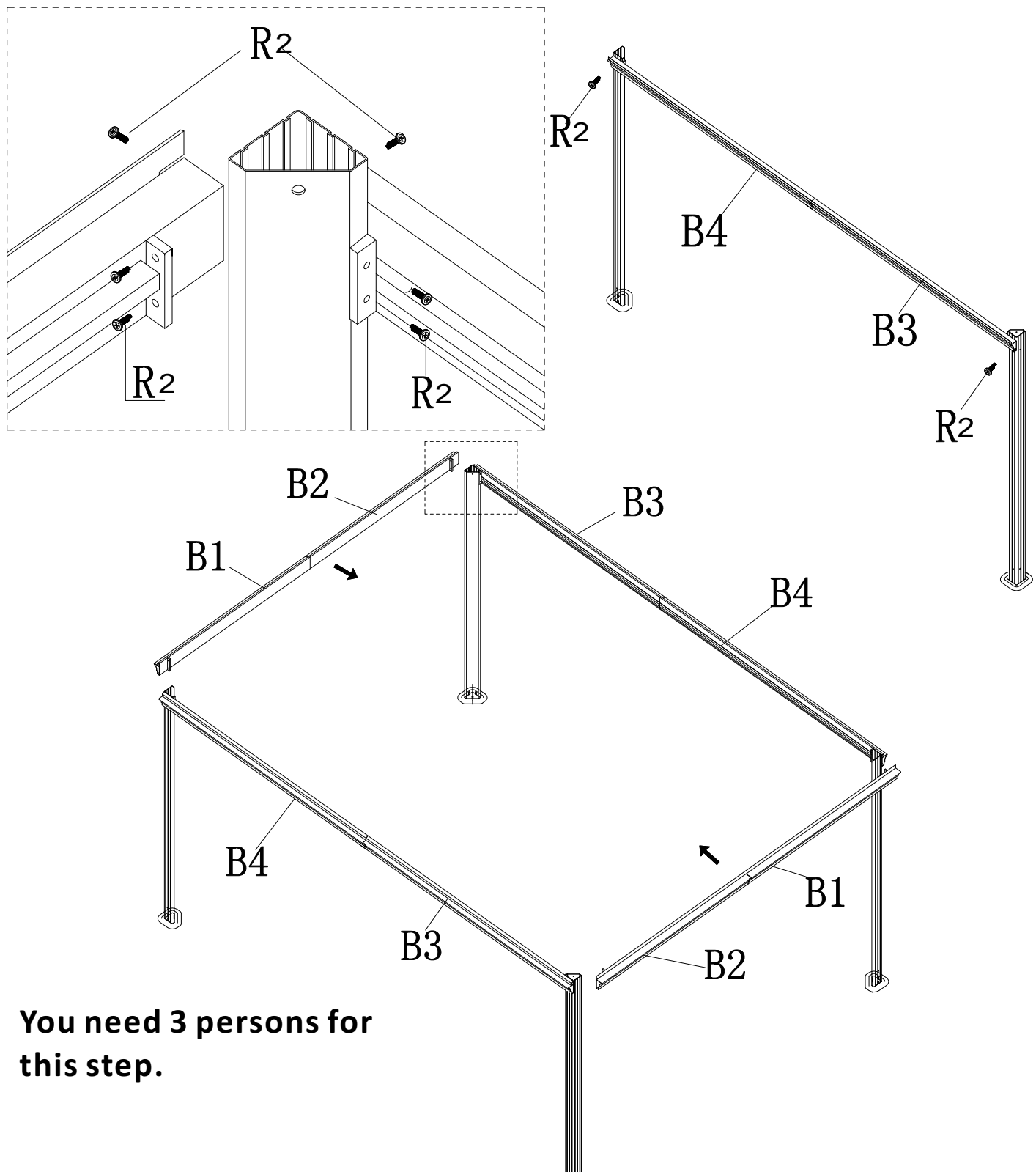
L  X 112



Make sure the tips of the hooks ends point toward the inside of the sun shelter.

- Insert 6 hooks (L) in each short track (B1) and 6 hooks (L) in each short track (B2).
- Insert 8 hooks (L) in each long track (B3) and 8 hooks (L) in each long track (B4).
- Attach the ogee (B1) to the ogee (B2) using screws (R). Repeat with the ogee (B3 & B4).

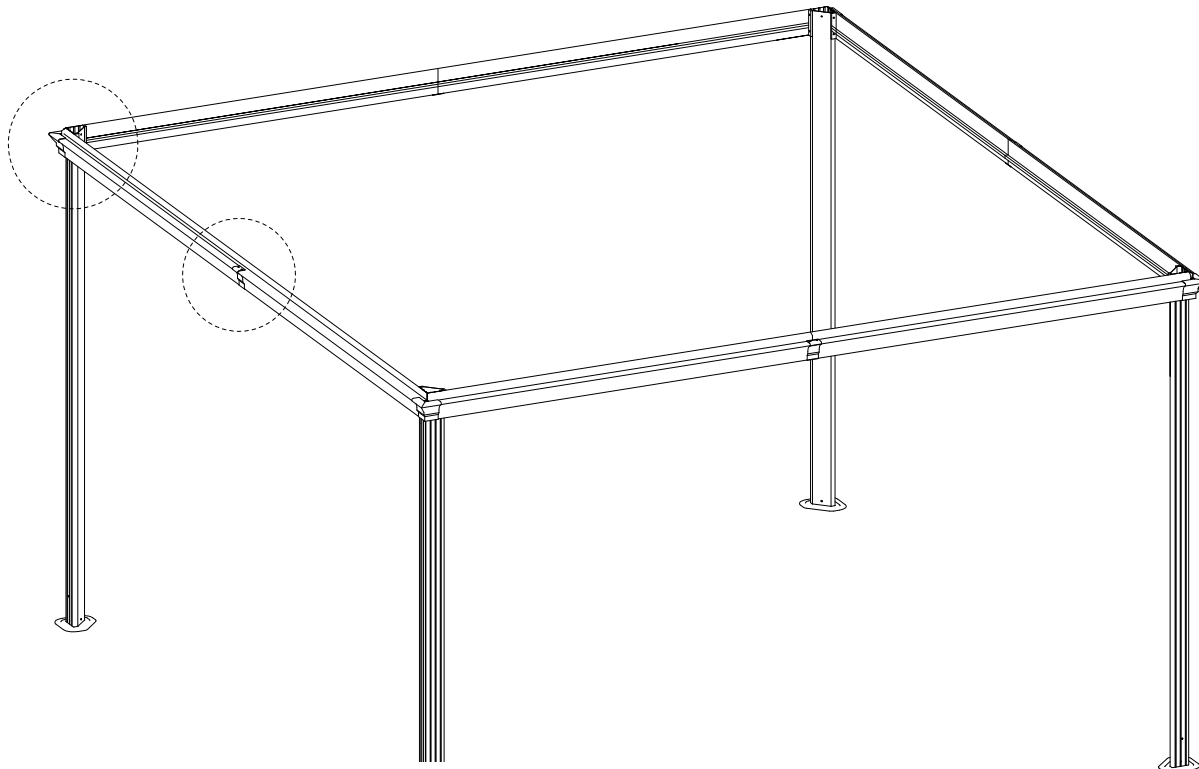
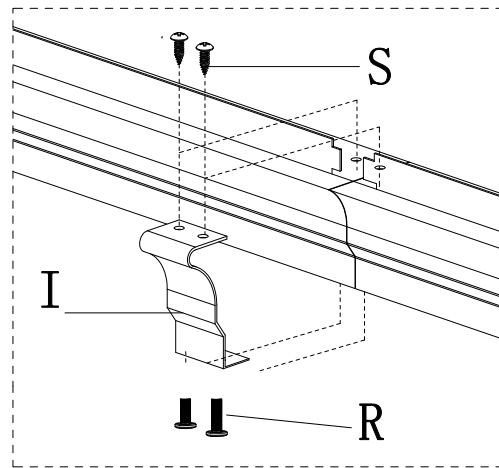
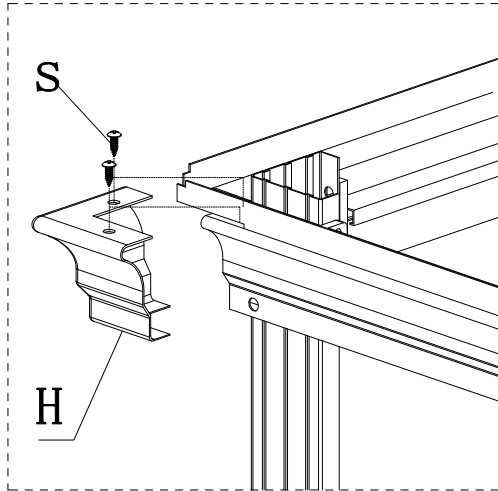
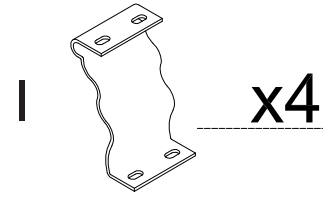
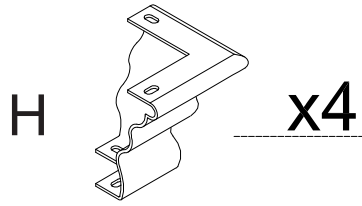
Step-3



You need 3 persons for this step.

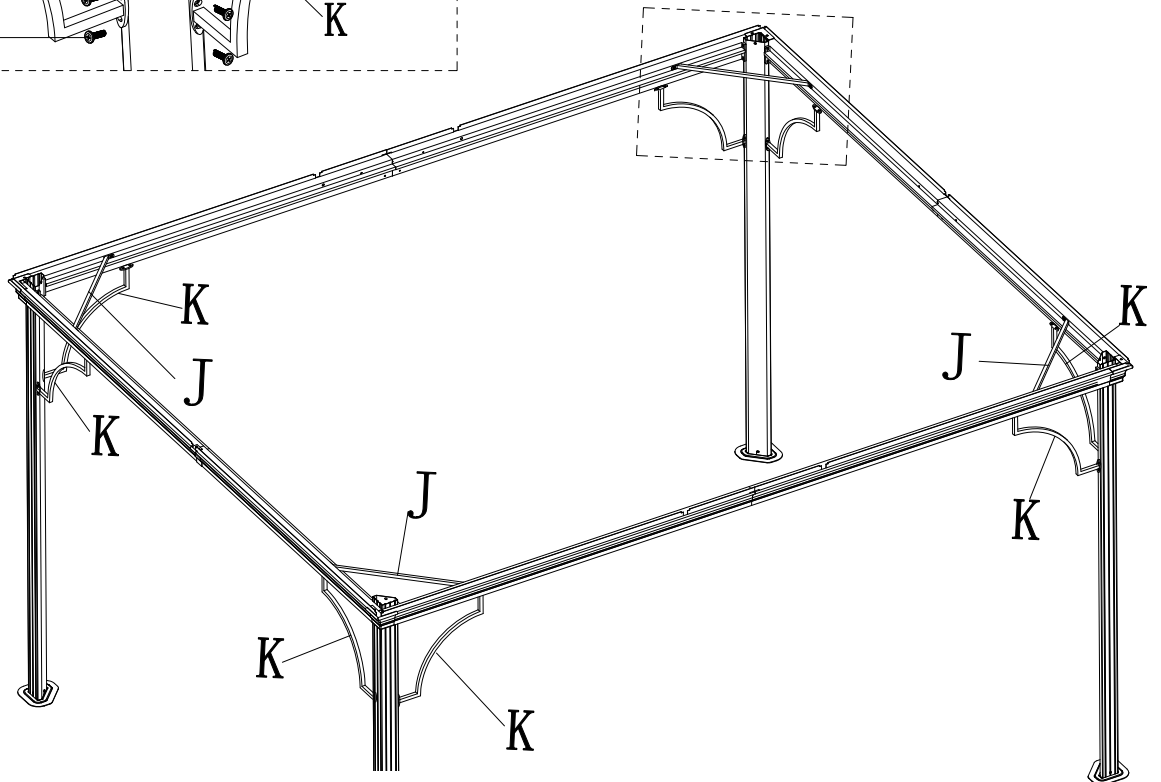
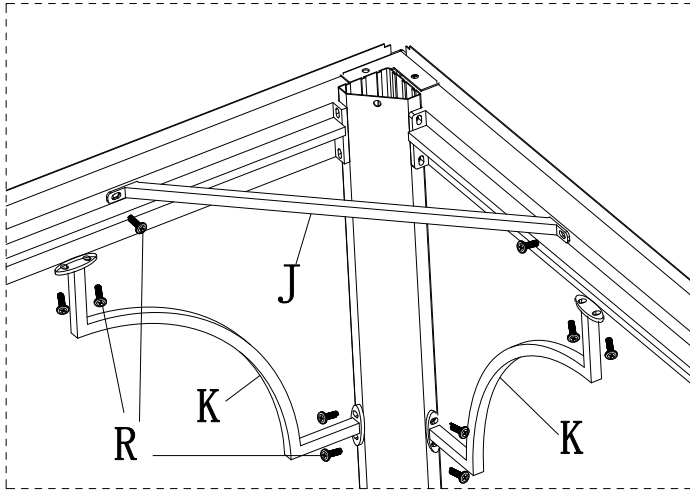
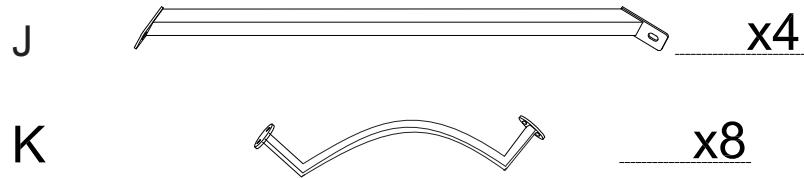
- Install the ogee (B3 & B4) between 2 columns (A) using screws (R) on the outside and the inside of the ogees. Repeat with the ogee (B1 & B2).

Step-4



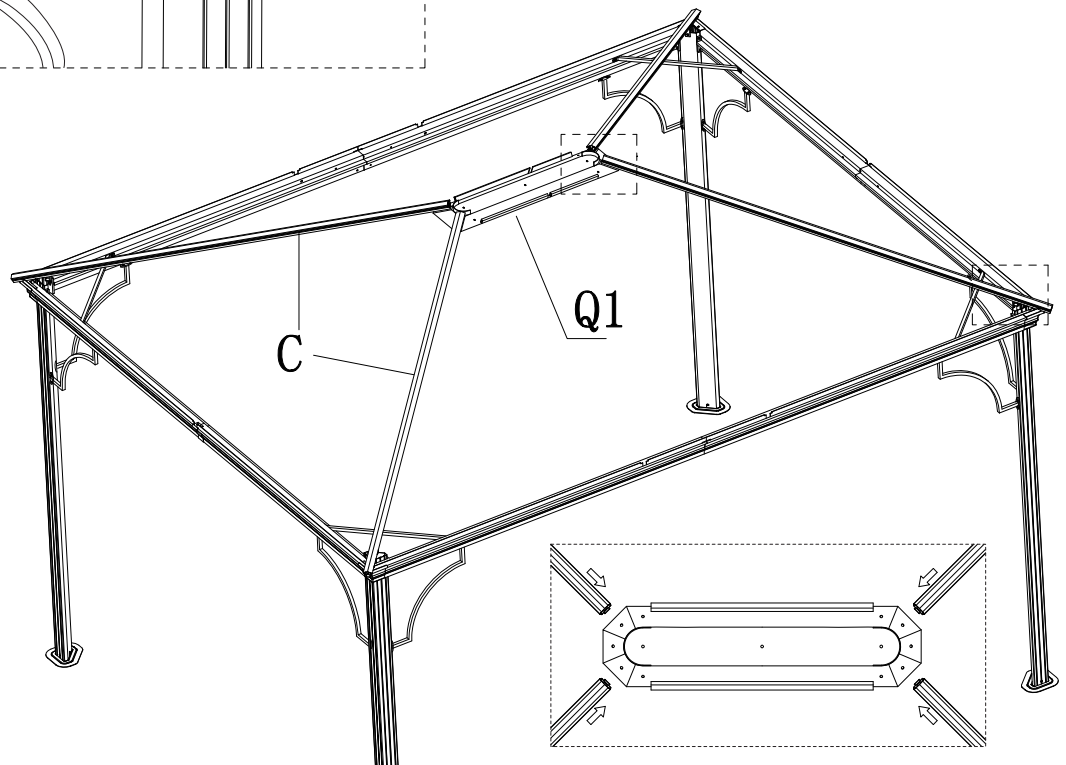
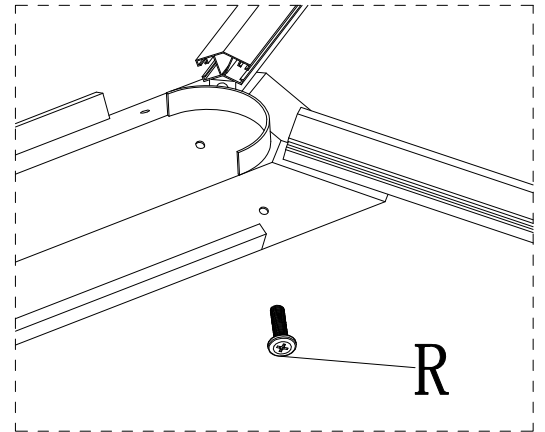
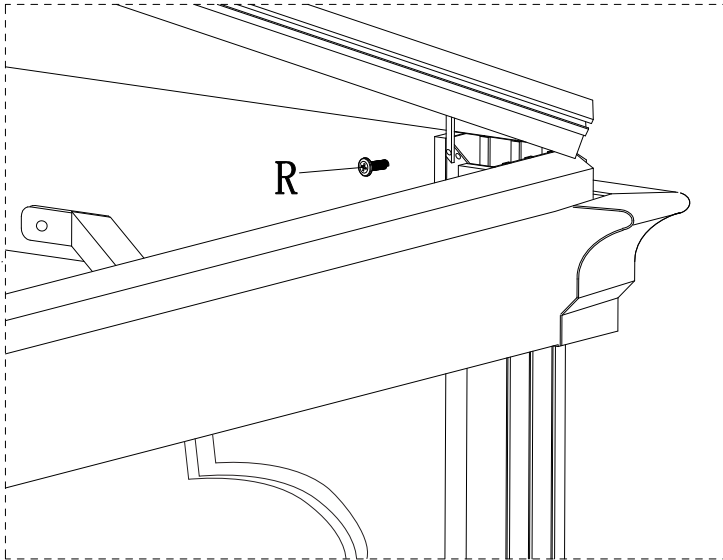
- Install the joint cover (I) on the joint in the middle of ogees (B1 & B2) and ogees (B3 & B4) using screws (S) on top and screws (R) from below.
- Install the corner covers (H) using screws (S).

Step-5



- Install solidifying bars (J) from ogee to ogee in order to form a triangle, using screws (R).
- Install solidifying bars (K) from ogee (B) to column (A) using screws (R).

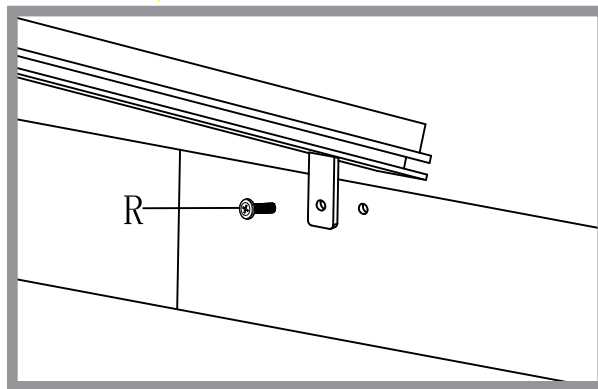
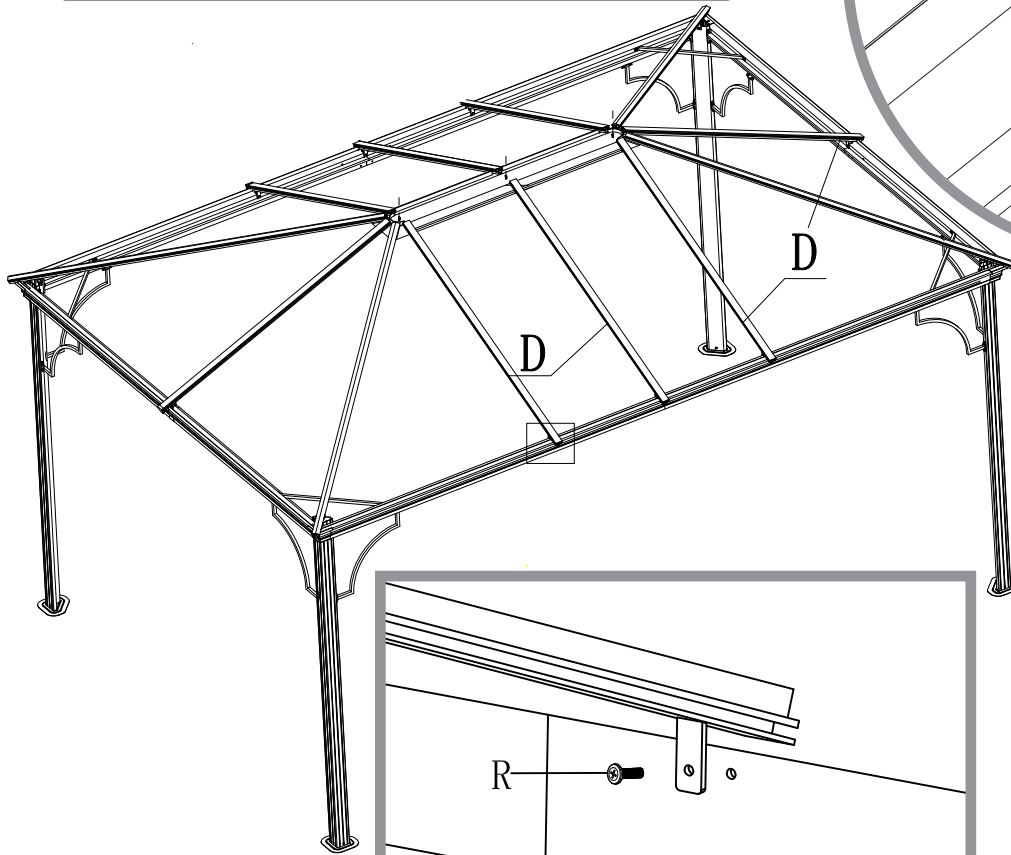
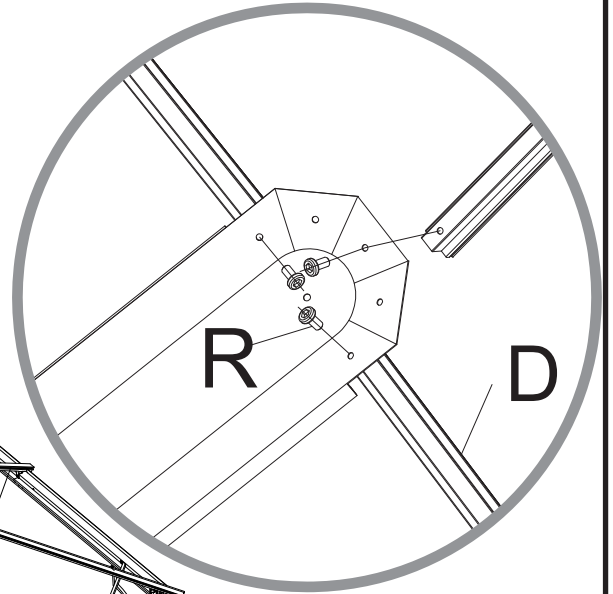
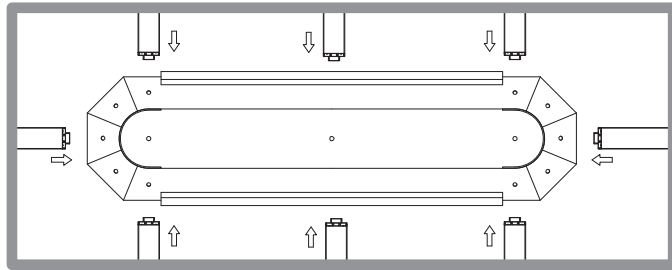
Step-6



- Install roof bars (C) one at a time to the inside roof connector (Q1) using screws (R).
- Install roof structure on top of columns (A) using screws (R).

Step-7

D  X8

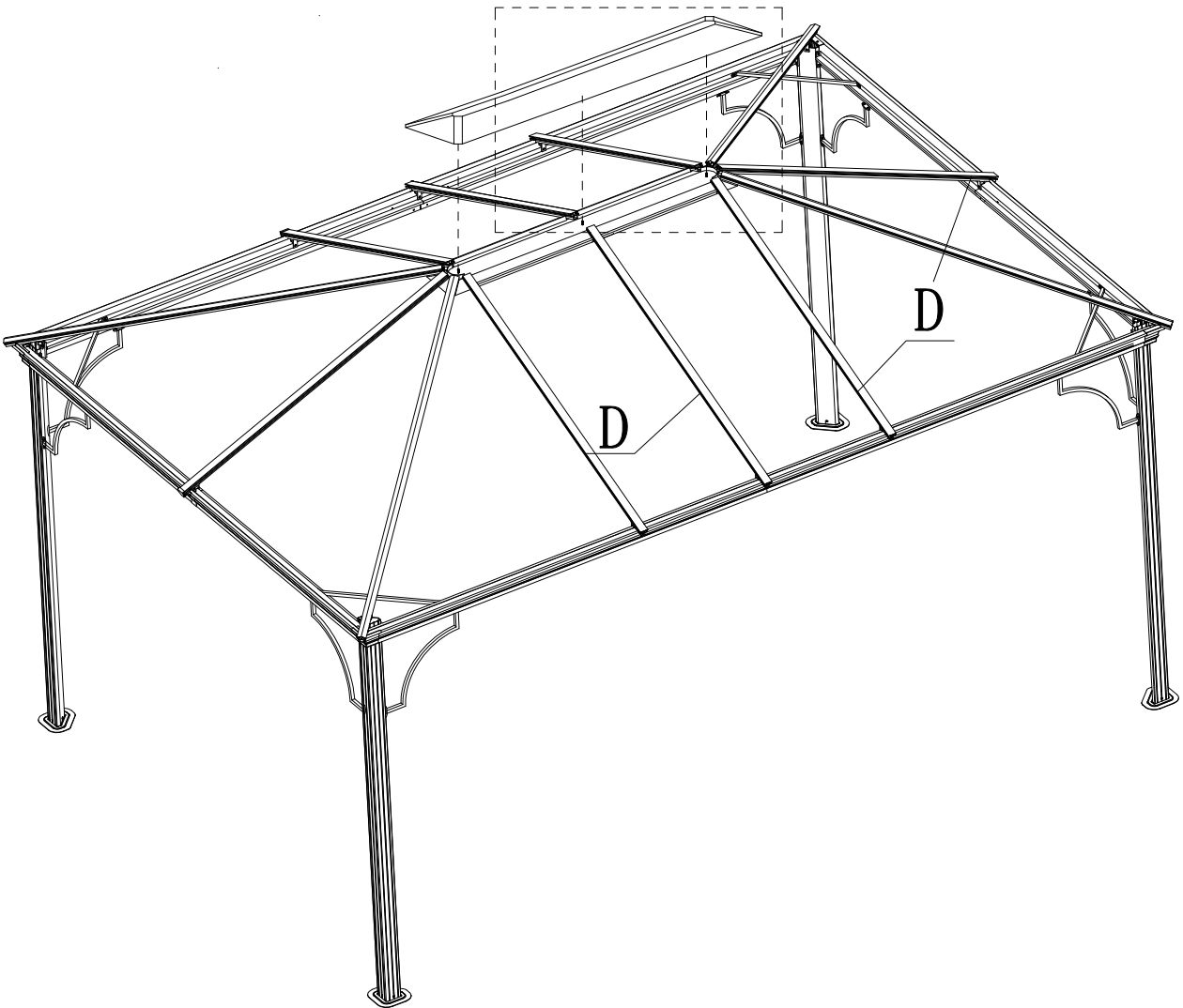
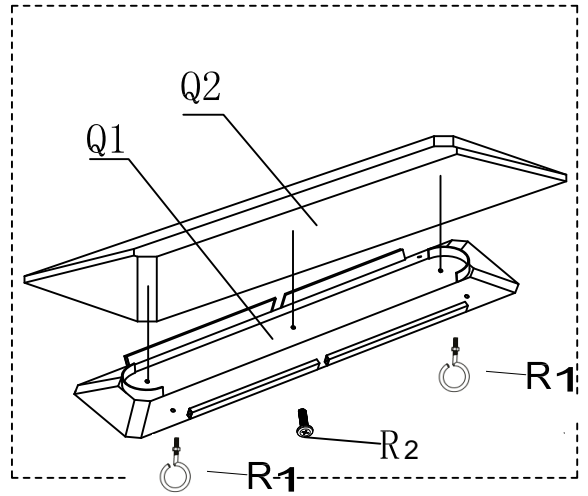
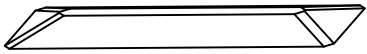


X6

- Install roof bars (D) to the inside roof connector (Q1) using screws (R) and screw the other end to ogees (B1, B2, B3 & B4) with screws (R). Repeat for all bars (D).

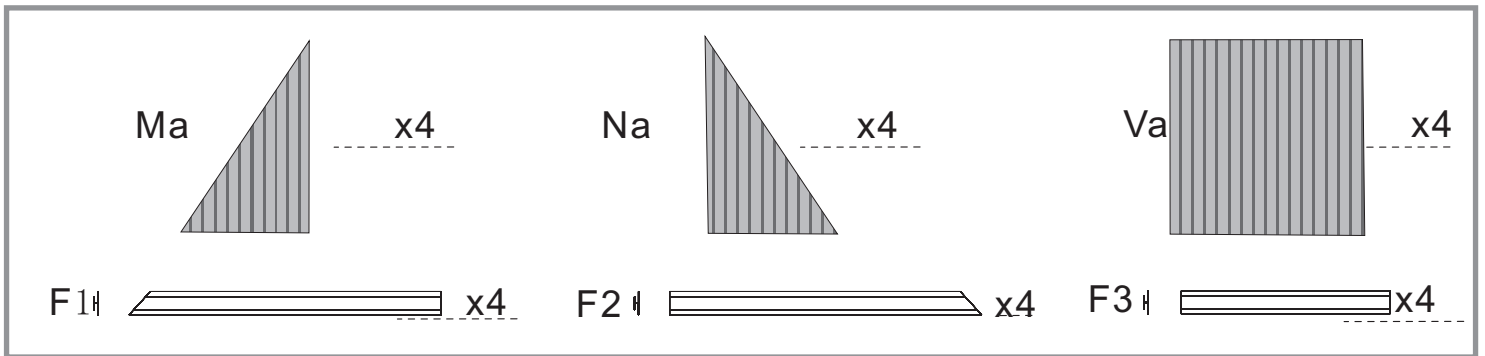
Step-8

Q2 x1

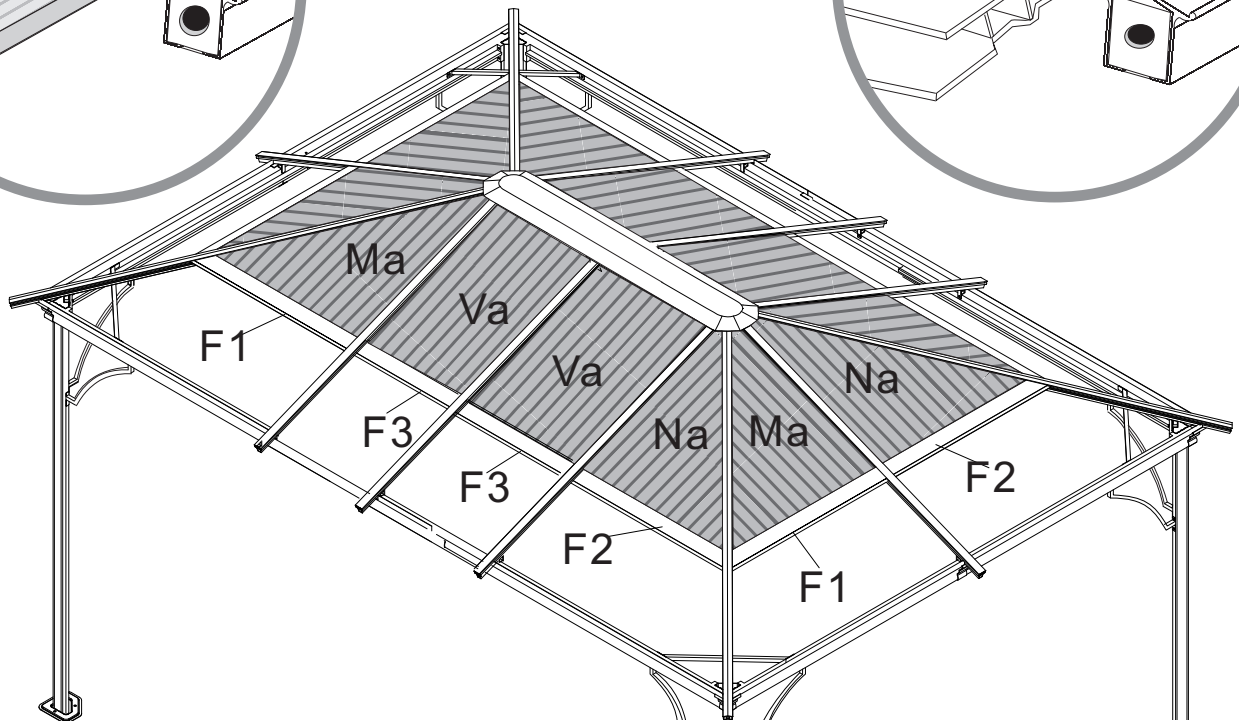
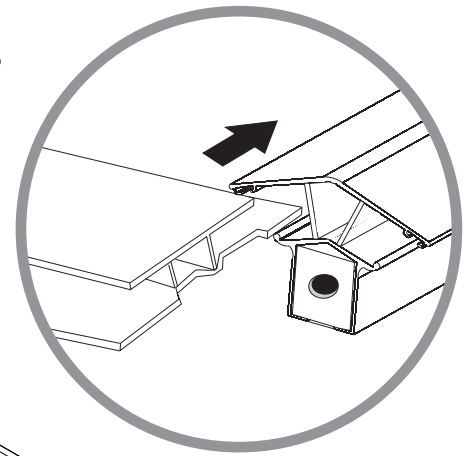
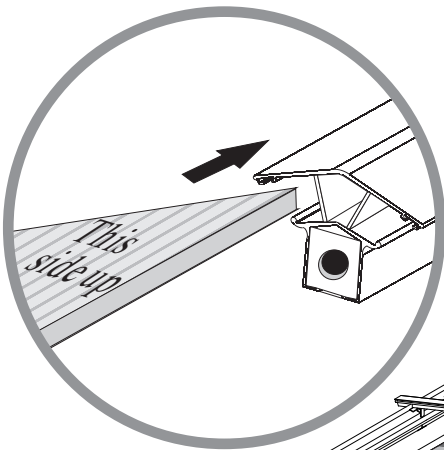


- Install the outside roof connector (Q2) to the inside roof connector (Q1) using screws (R2.R1)

Step-9

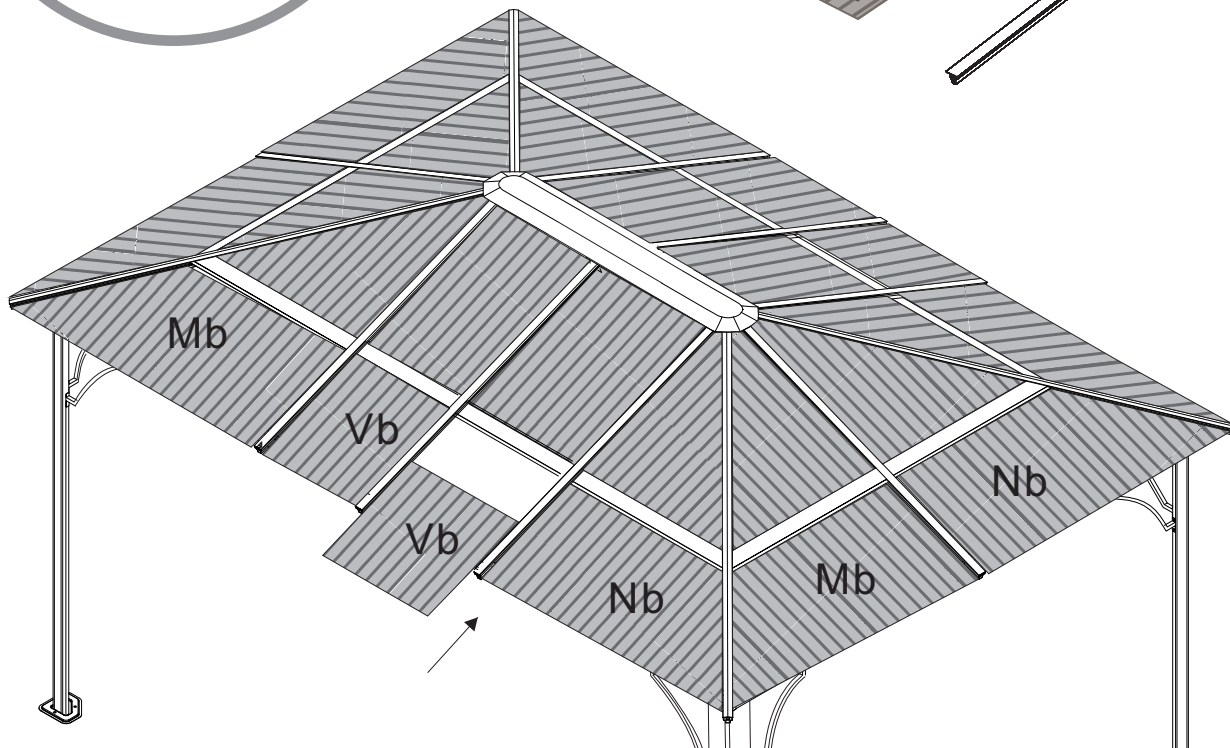
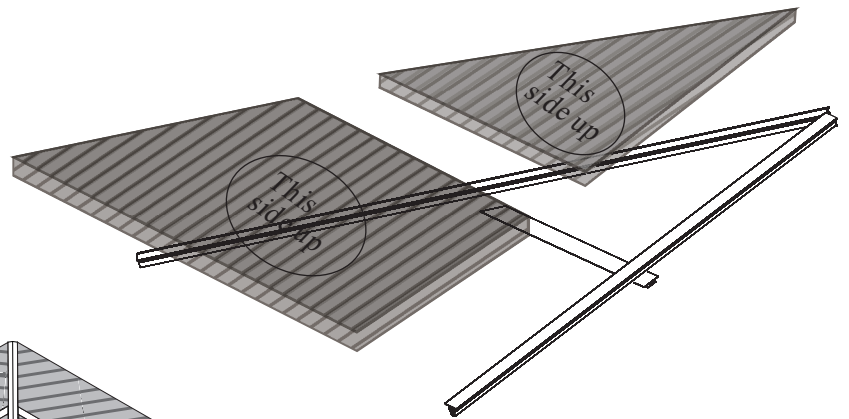
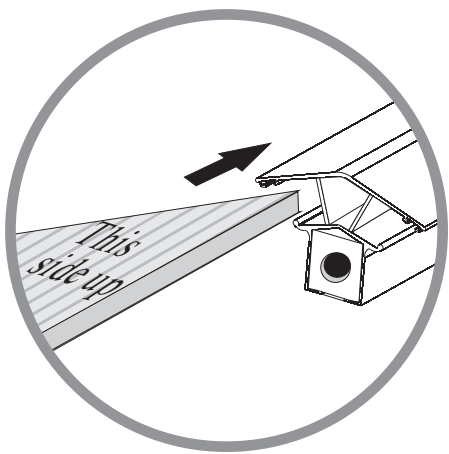
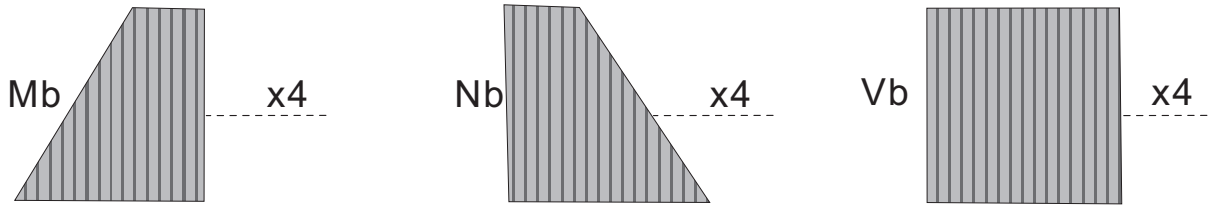


One side of the roof panels is UV protected. Make sure the sun protected side faces the sun light.



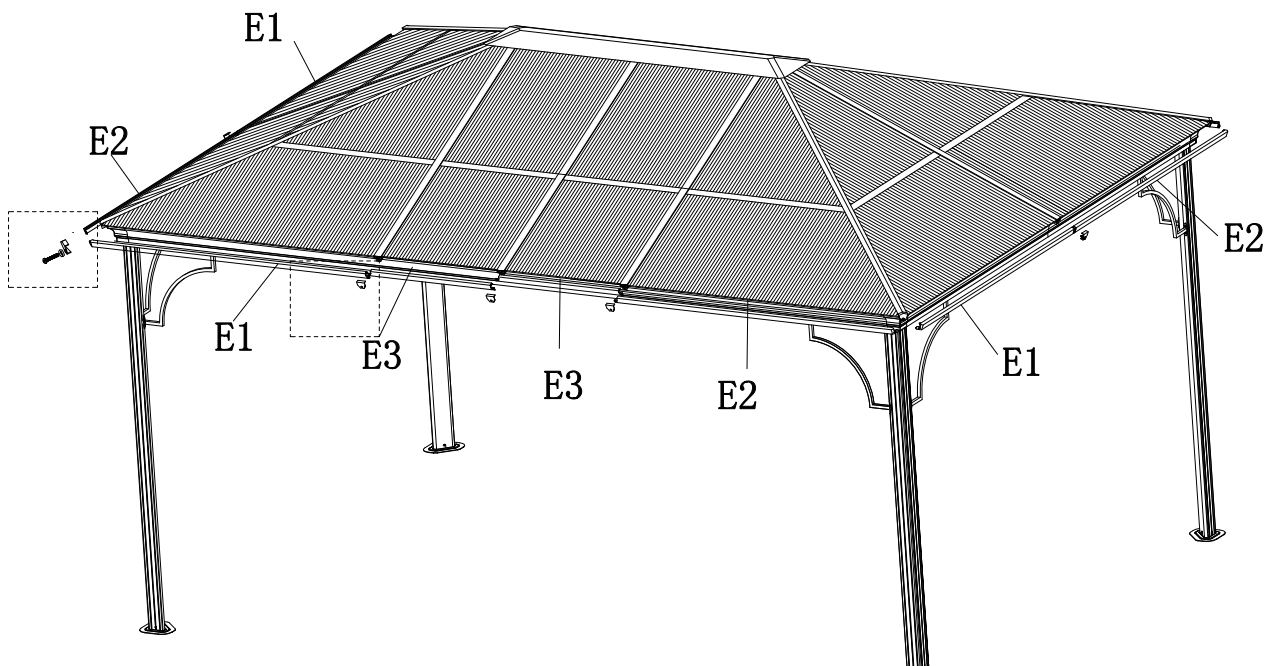
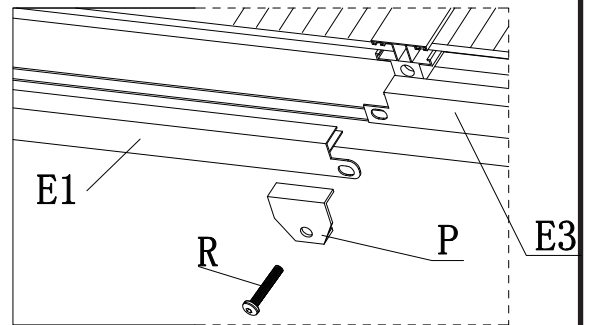
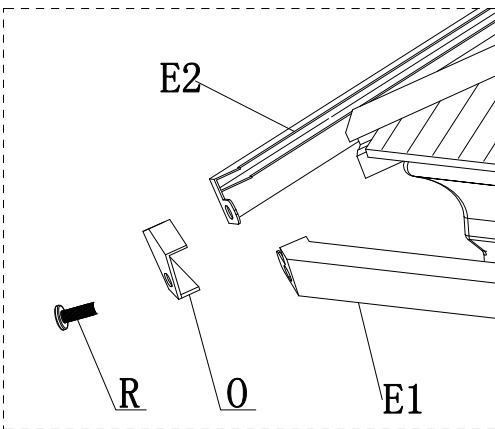
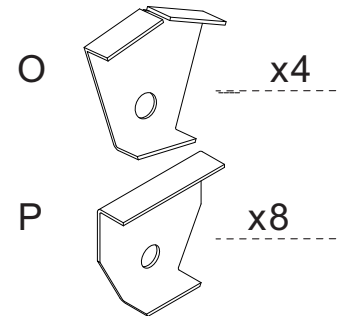
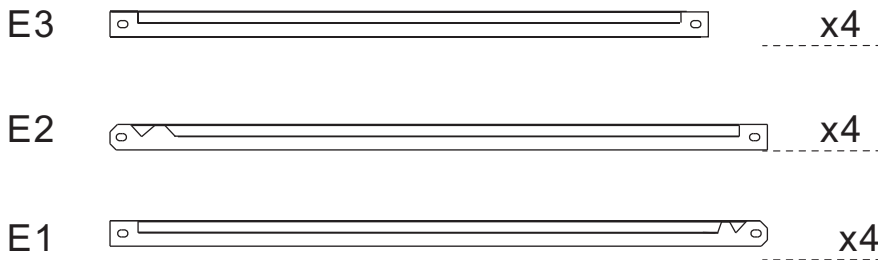
- Install the small roof panels (Ma) and (Na) according to the picture. Make sure they are completely inserted in the tracks.
- Insert roof panels (Va) from the end of the roof bars in the middle of the wide side of the shelter. Align with the other panels.
- Install roof support bar (F1, F2 & F3) according to the picture. Make sure they are completely inserted in the tracks. Align (F3) with (F1 & F2).

Step-10



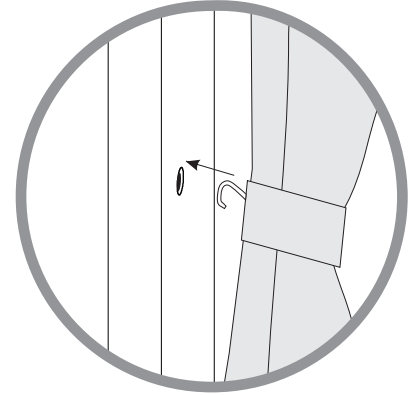
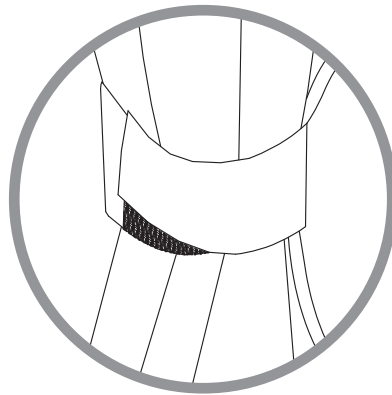
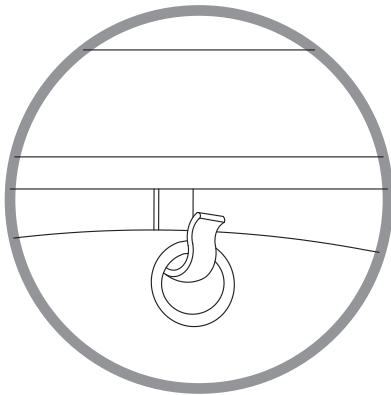
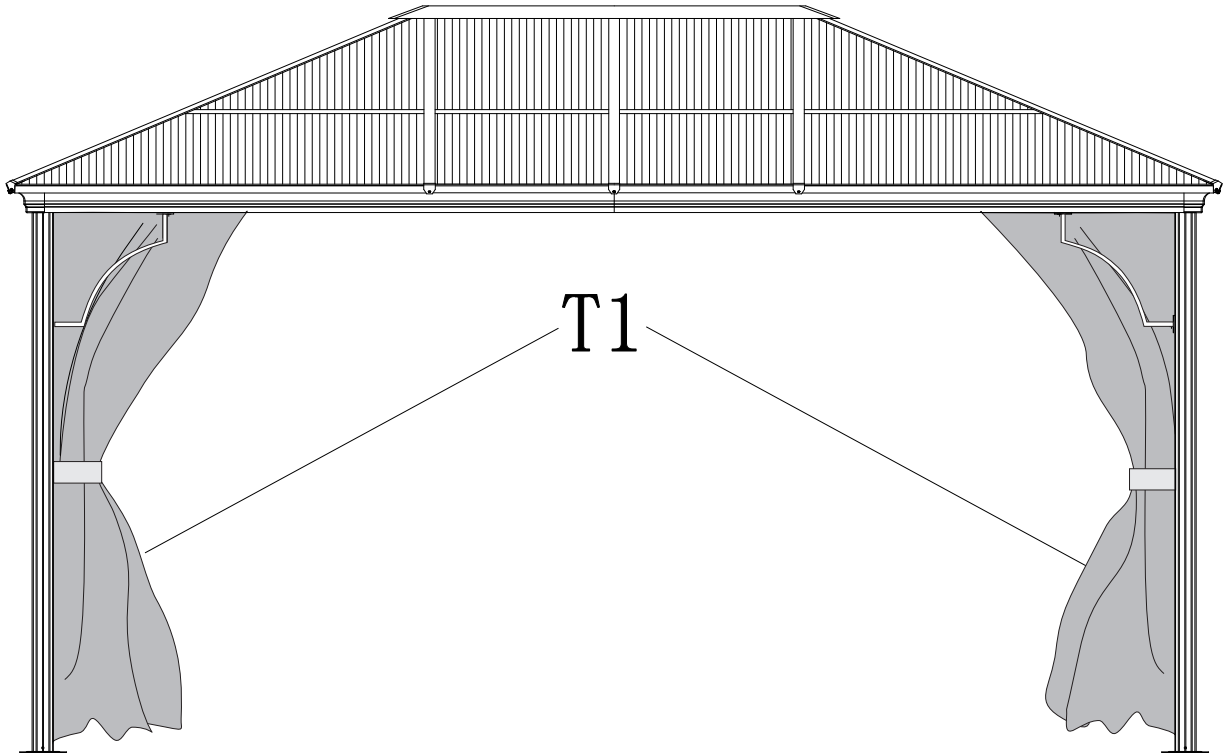
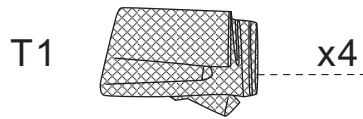
- Install roof panels (Mb & Nb) all the way in.
- Insert roof panels (Vb) from the end of the roof bars in the middle of the wide side of the shelter. Align with panels (Mb & Nb).

Step-11



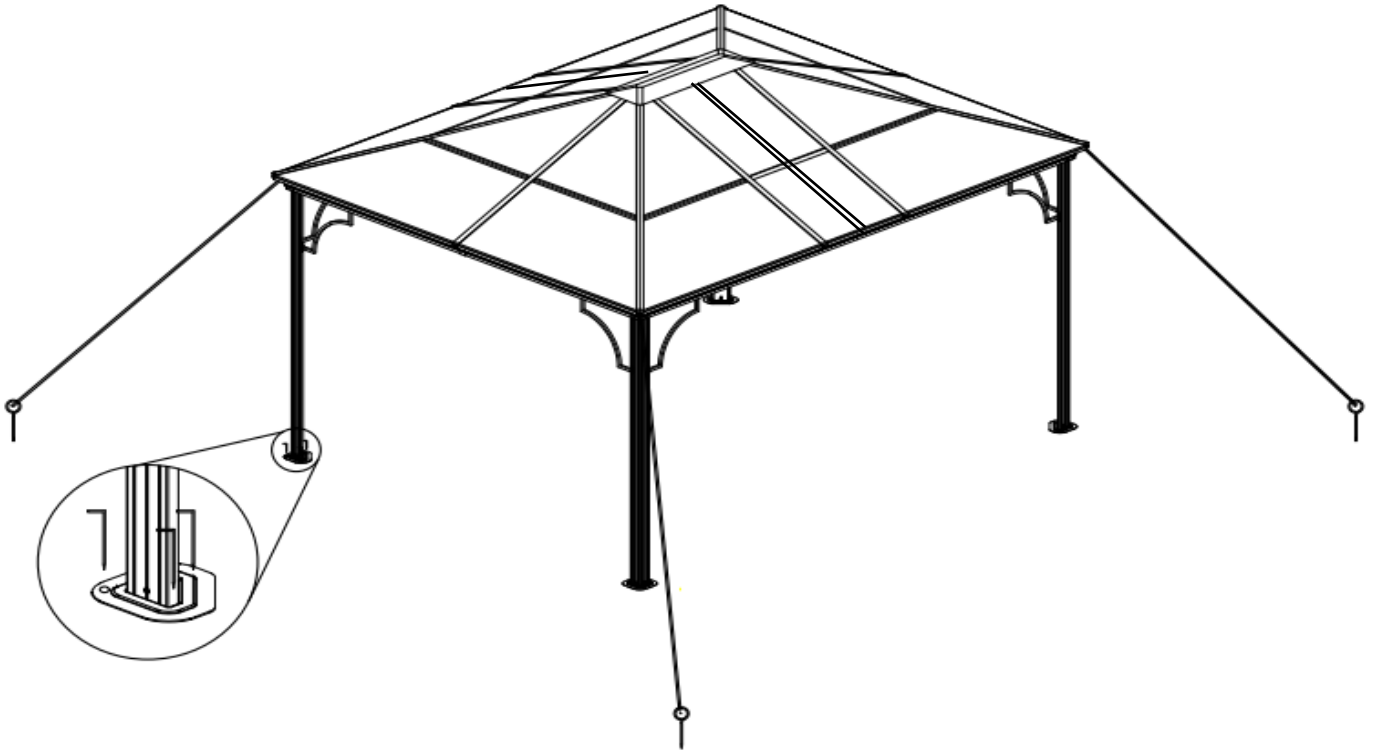
- On the wide side of the shelter starting from left to right:
- Install roof finishing bar (E1), a roof finishing bar (E3) and a roof finishing end (P) using screw (R) in the end of the roof bar (D). Repeat with (E2).
- Use finishing end (O) for the corner.

Step-12



- Install the mosquito netting (T1) along the tracks on hooks (L).
- Insert small metal hook on mosquito netting through the slit in the curtain and into small hole in column (A).

Step-13



In order to firmly secure your structure to the ground you need to use screws, in accordance to the surface your product will be installed upon. Install the screws in the pre-drilled holes of the bases (K) of the shelter. Screws are not included. This step is mandatory for the warranty to apply since this is a permanent structure.