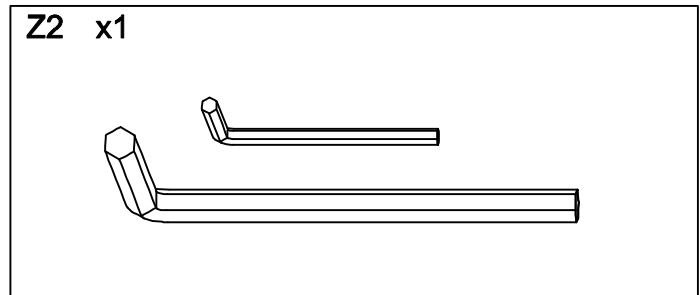
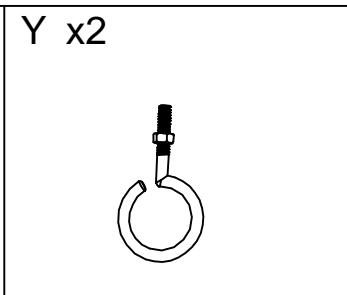
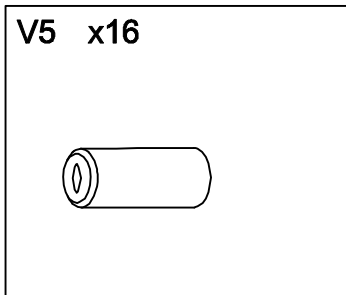
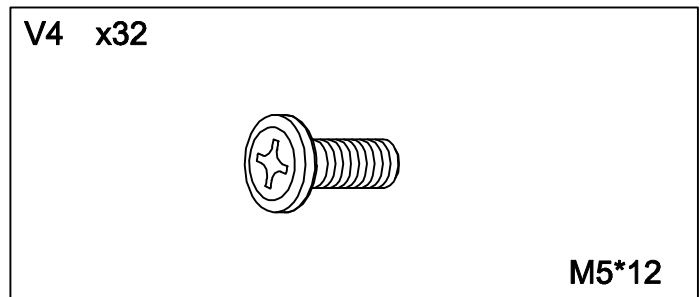
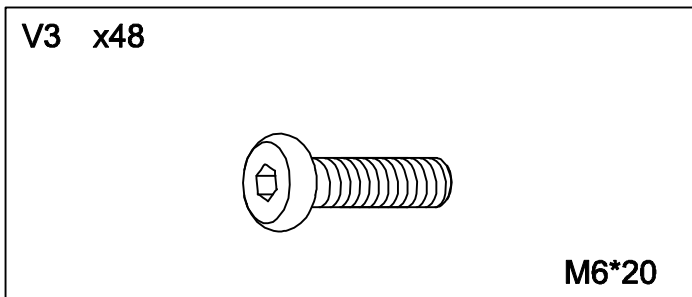
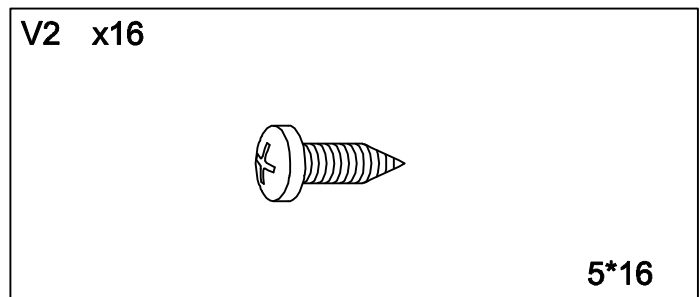
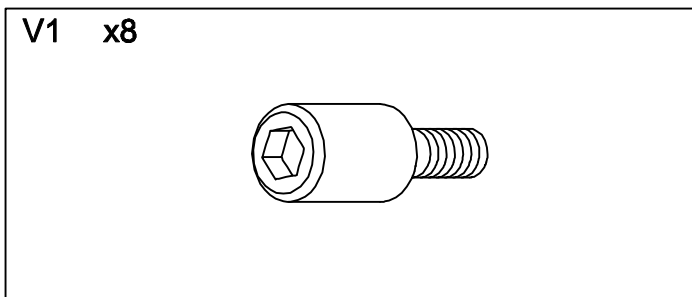
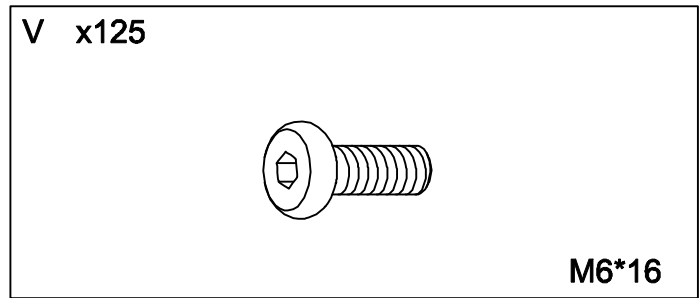
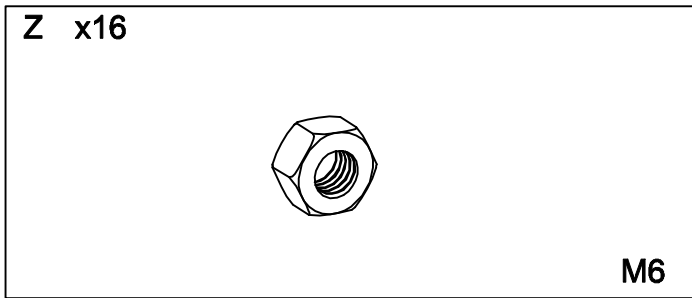
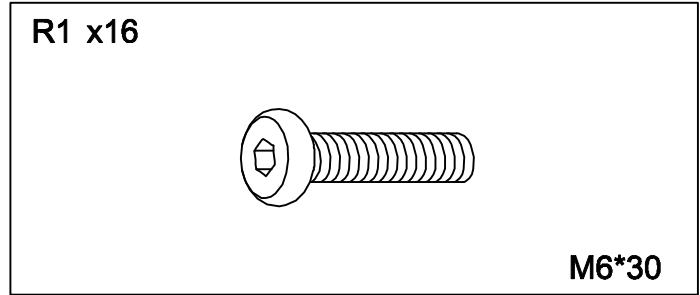
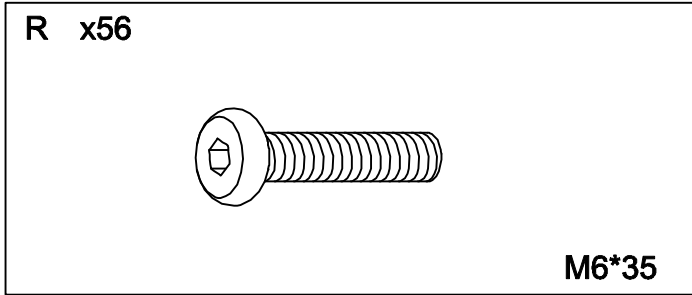
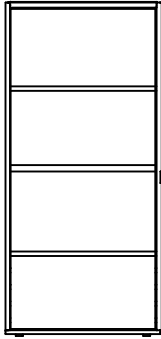


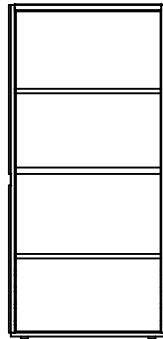
Assembly Instruction Screen House 3.6x4.3m



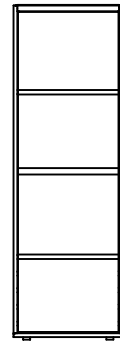
A1 x2



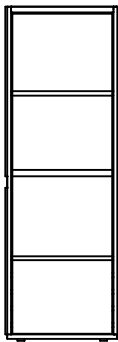
A2 x2



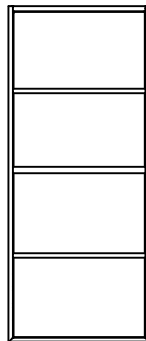
A3 x2



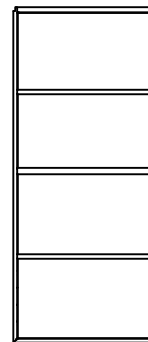
A4 x2



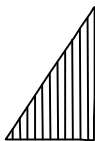
B1 x4



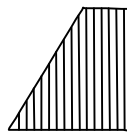
B2 x4



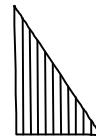
S1 x4



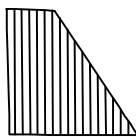
S2 x4



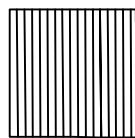
S3 x4



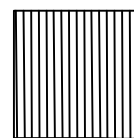
S4 x4



S5 x2



S6 x2



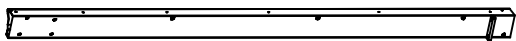
C x4



H1 x2



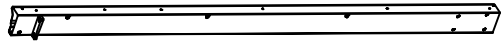
D x2



H2 x2



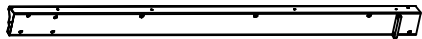
D1 x2



H3 x2



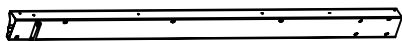
E x2



H4 x2



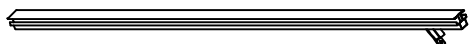
E1 x2



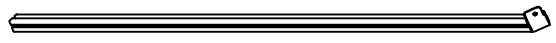
I1 x2



F x6



I2 x2



G x4



I3 x2



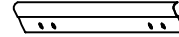
I4 x2



K1 x2



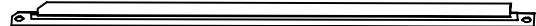
N2 x4



K2 x4



Y0 x4



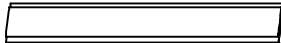
K3 x4



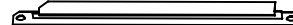
Y2 x4



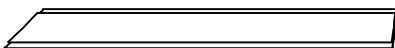
L1 x2



Y3 x4



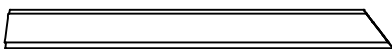
L2 x4



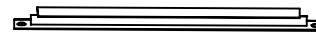
Y4 x4



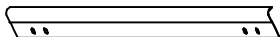
L3 x4



Y5 x4



N1 x4



O1 x1



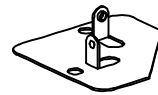
Q3 x16



O2 x1



T1 x4



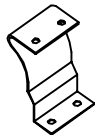
P1 x4



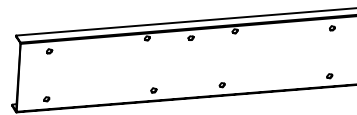
T2 x16



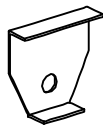
P2 x4



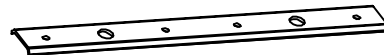
T3 x4



Q1 x6

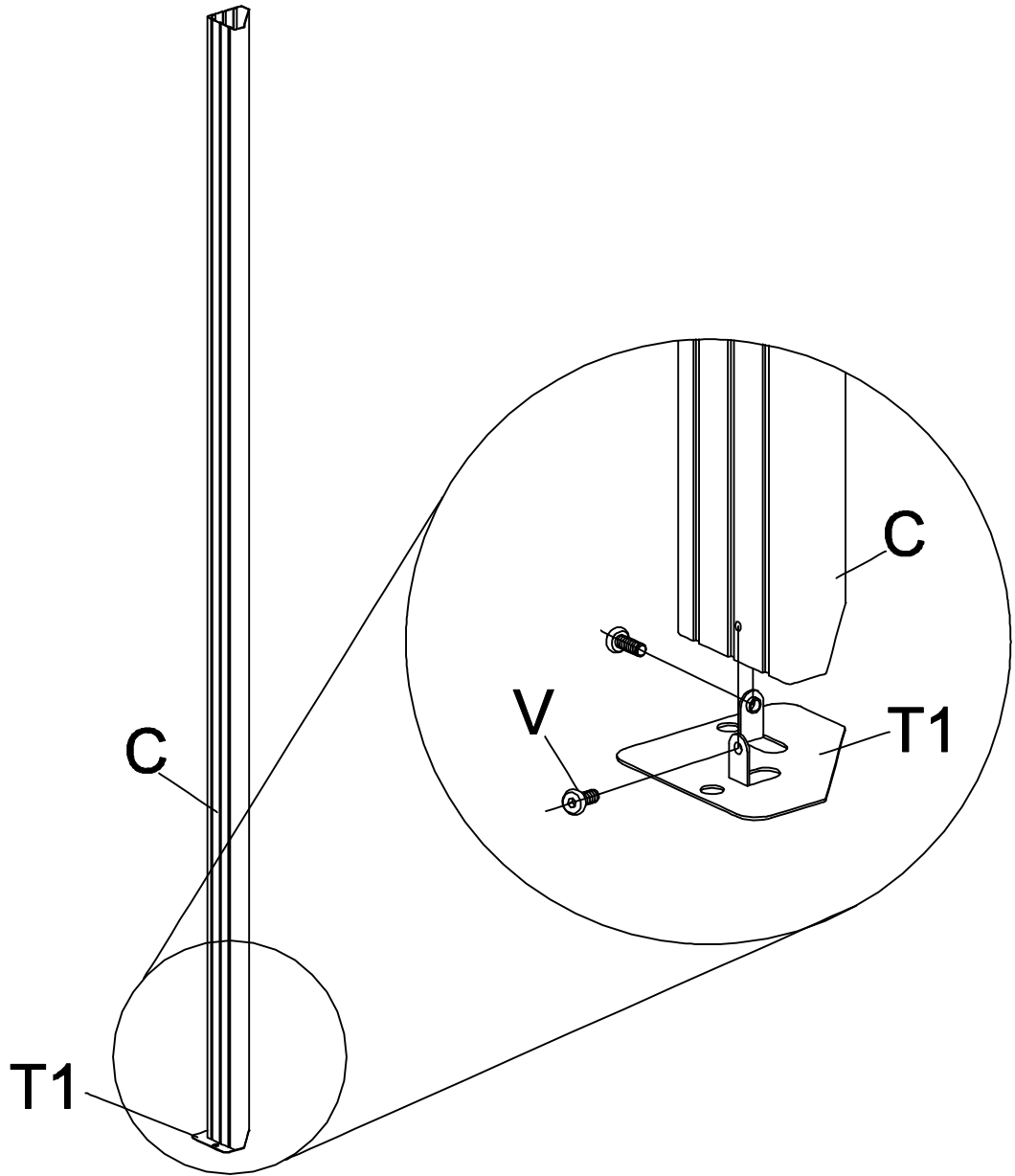


T4 x4



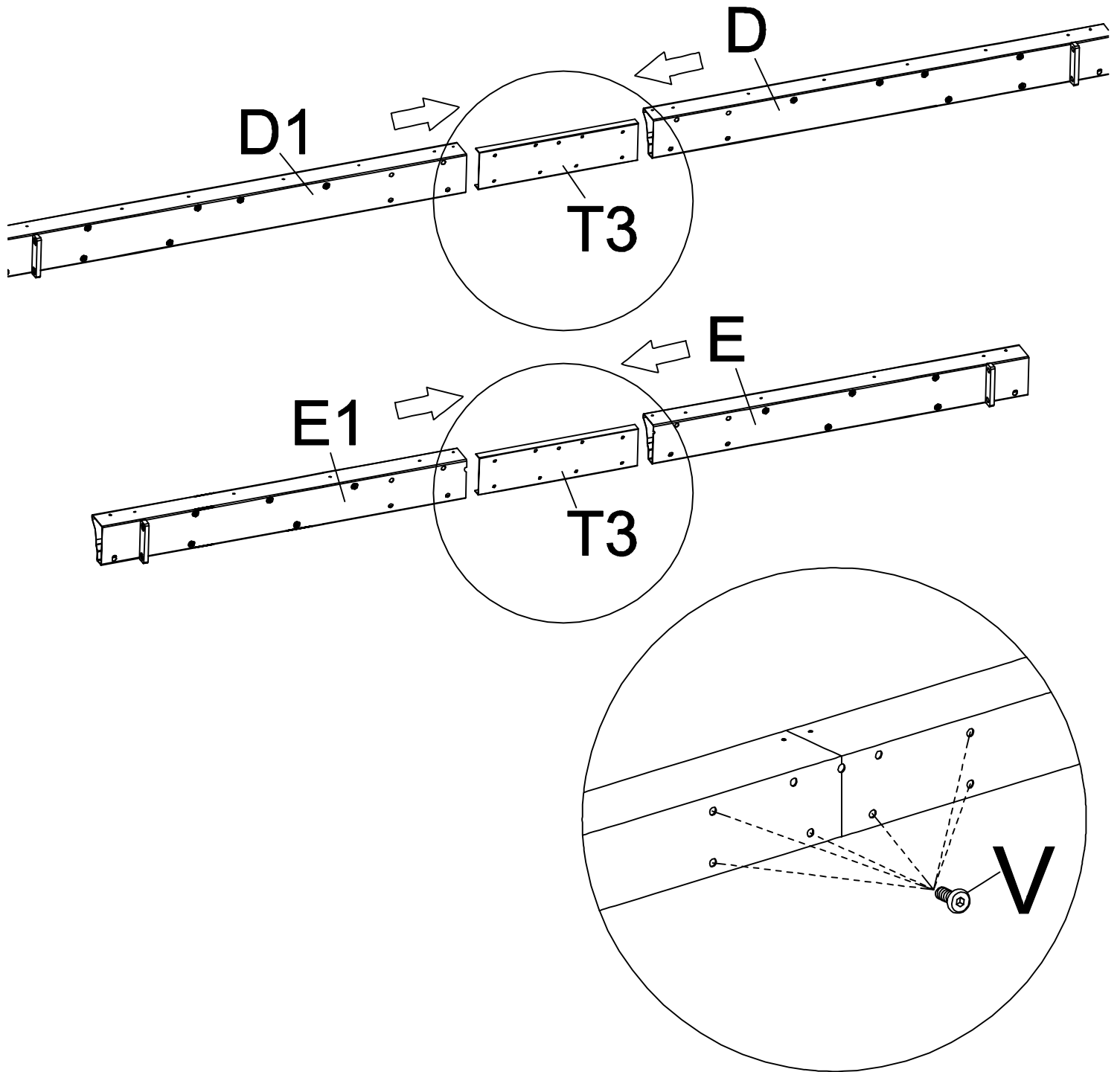
Q2 x4

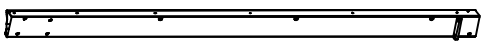
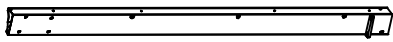
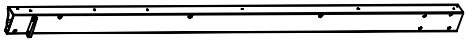
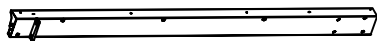
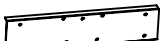
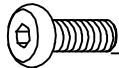


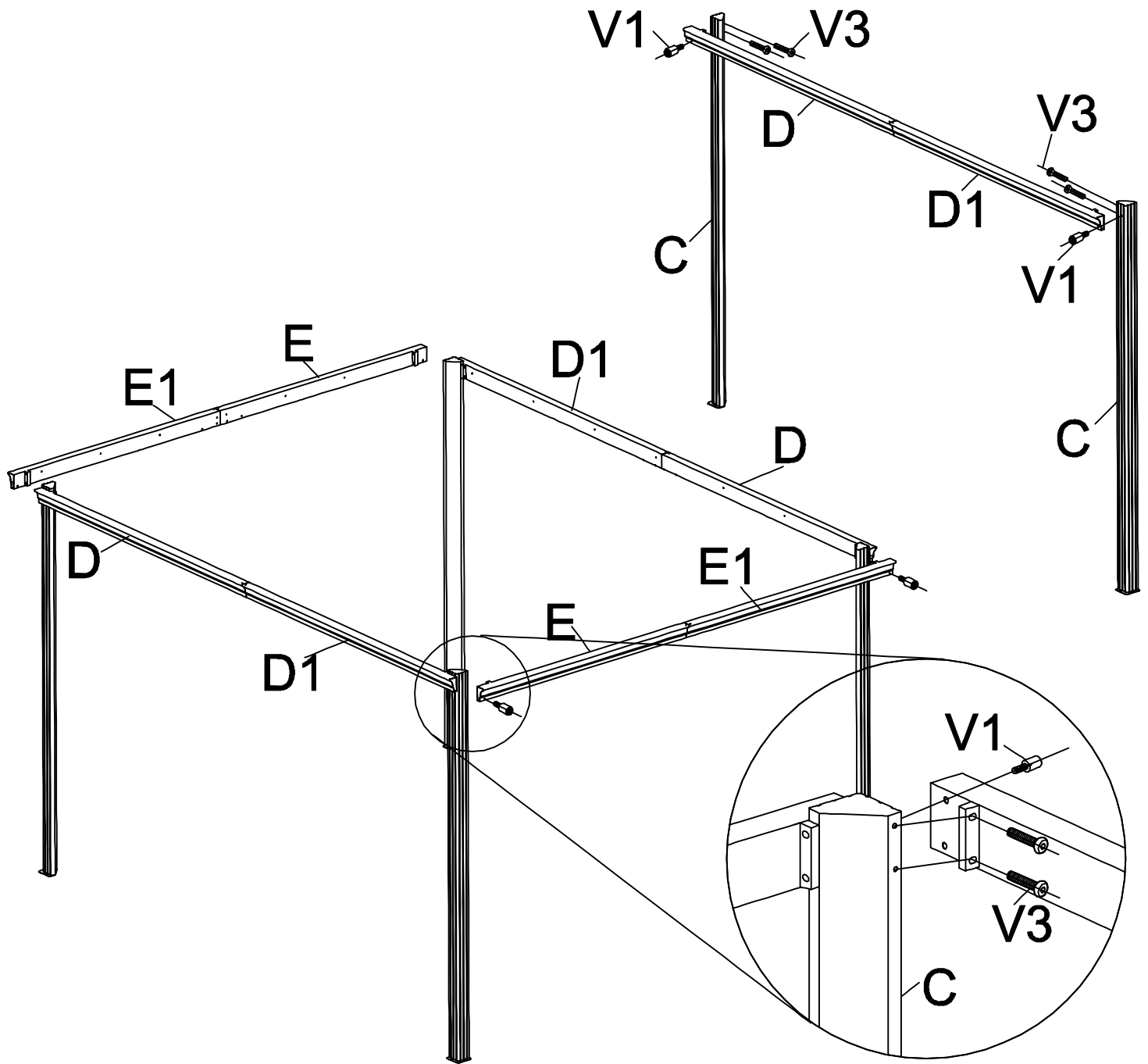




C  x4

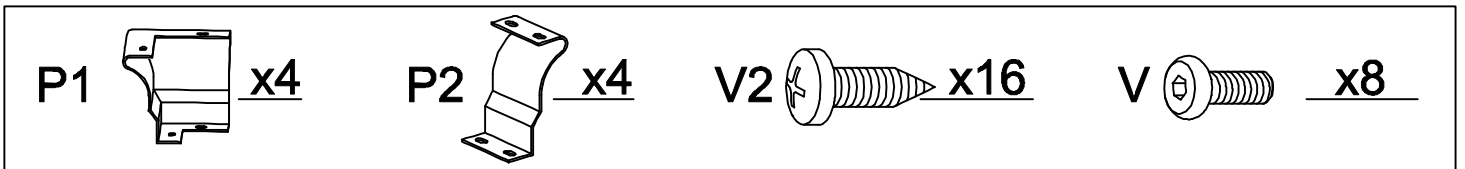
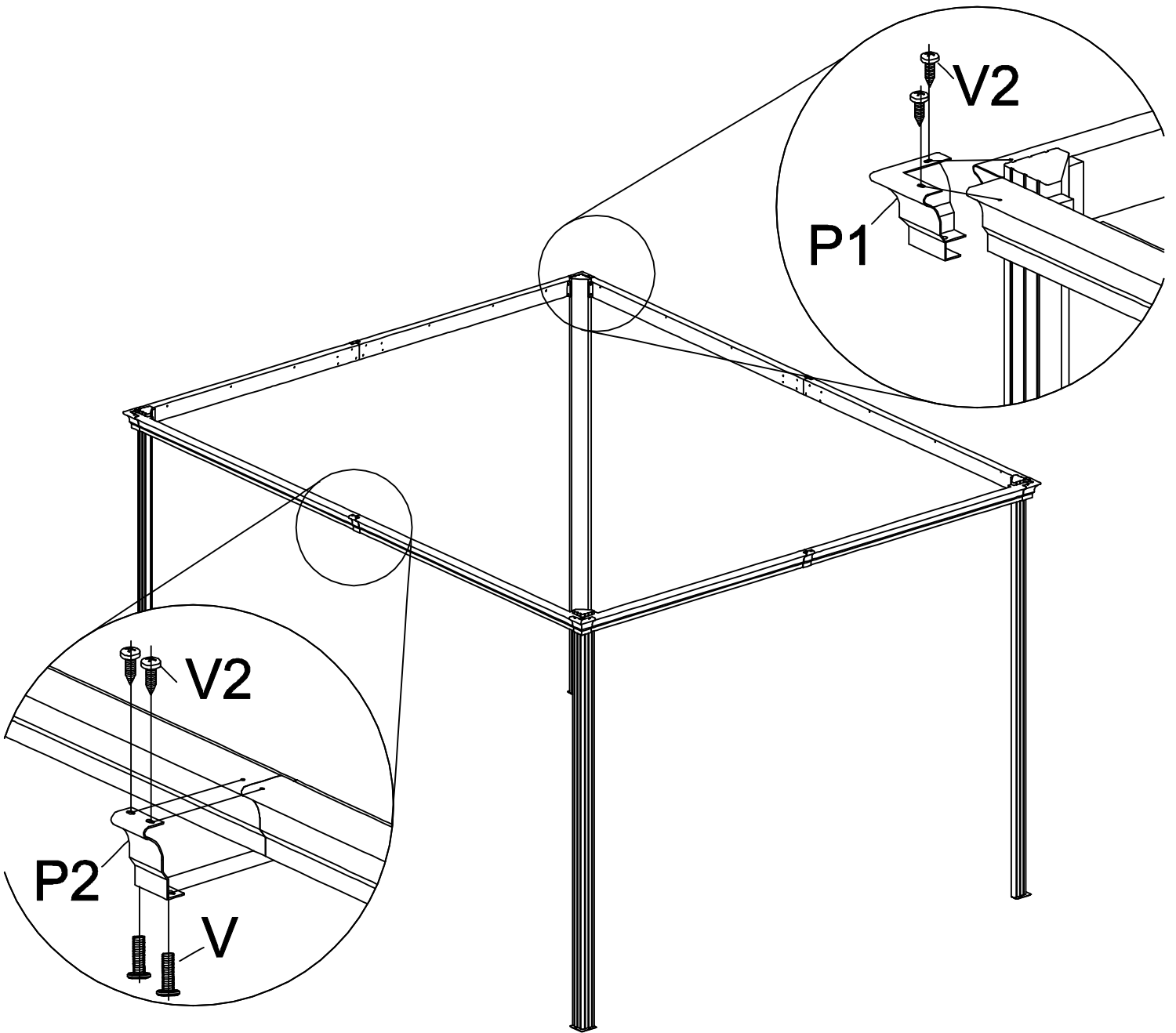
T1  x4 V  x8

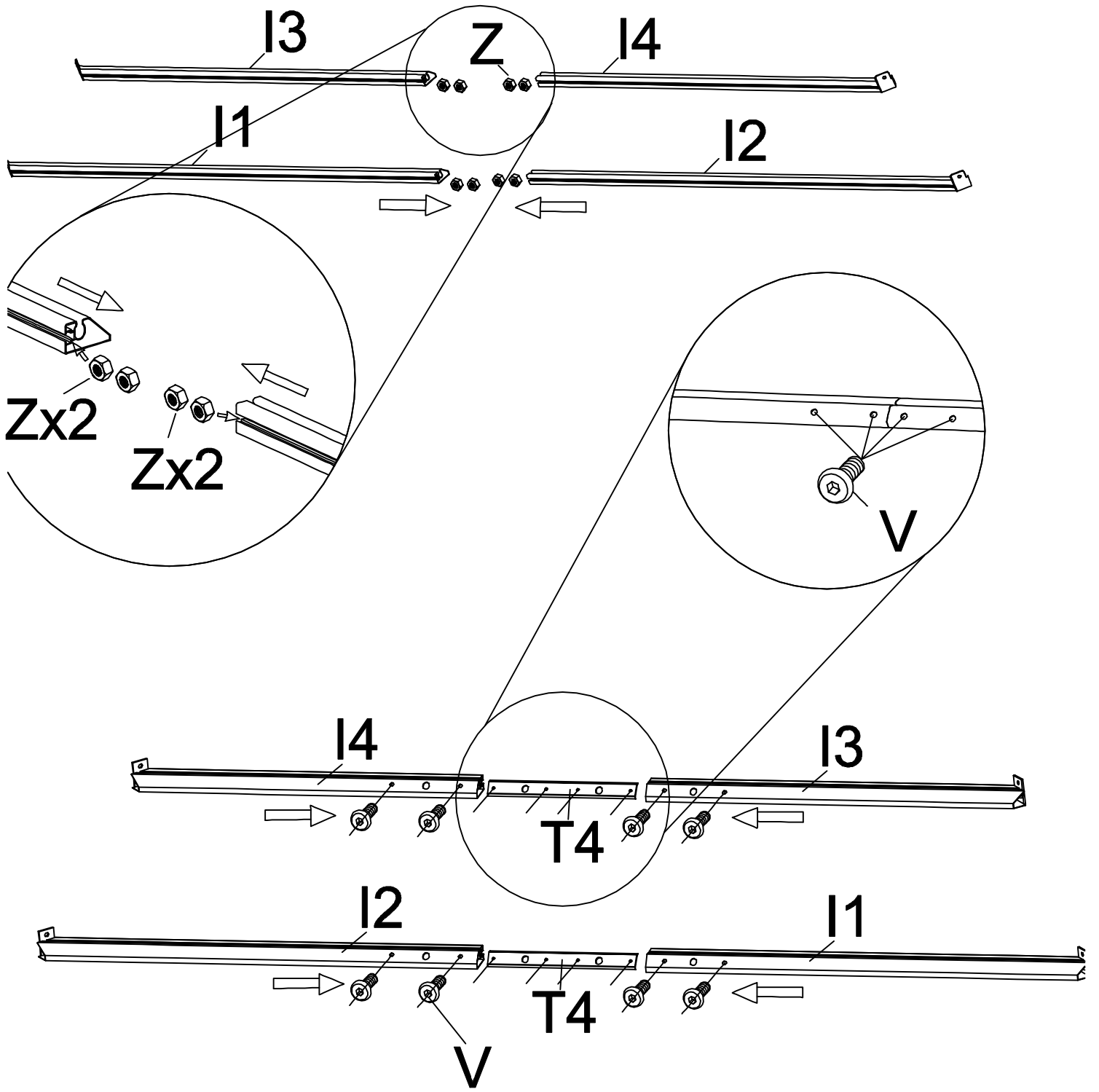


D		x2	E		x2
D1		x2	E1		x2
T3		x4	V		x24

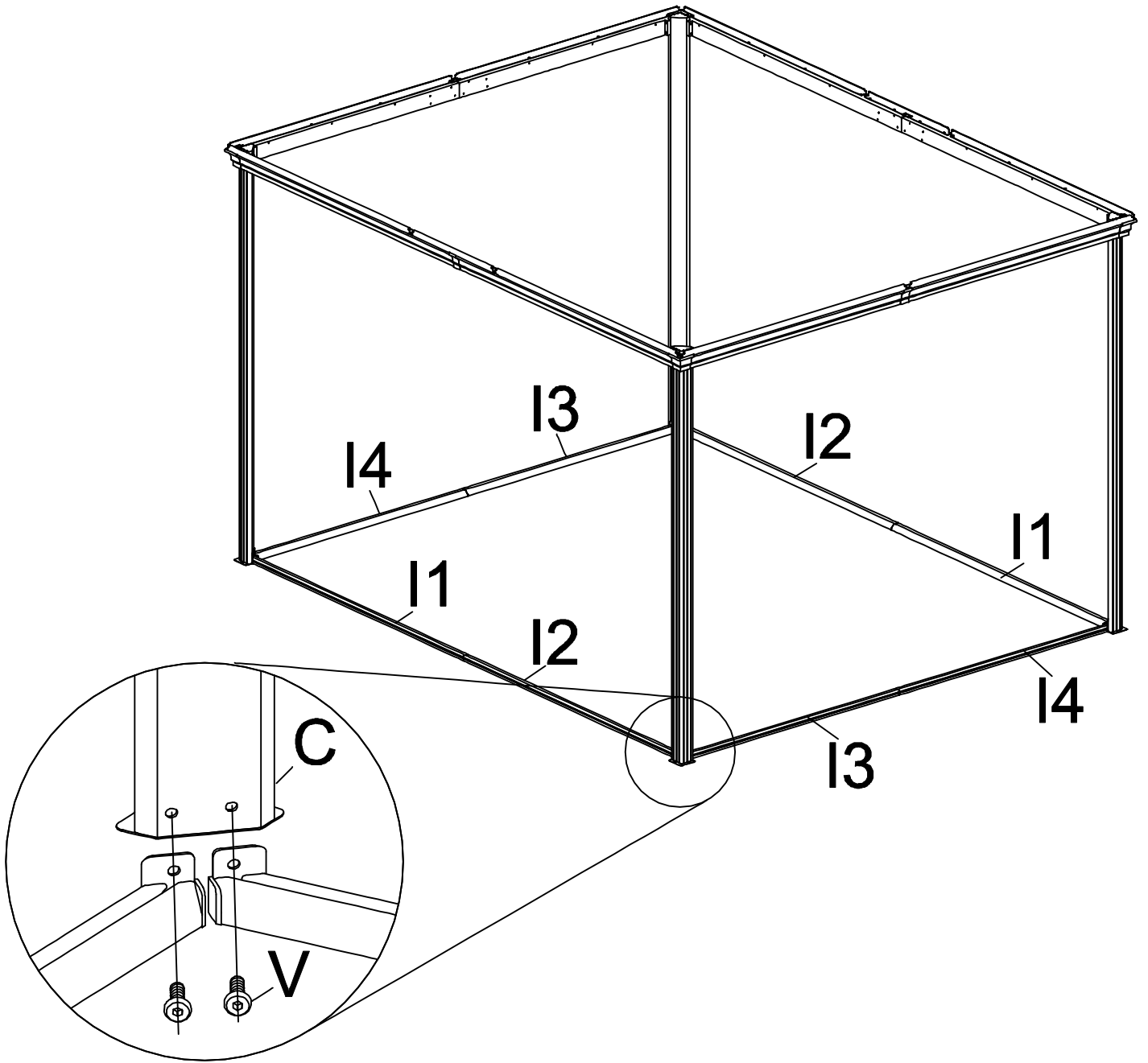


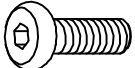
V1  x8 V3  x16

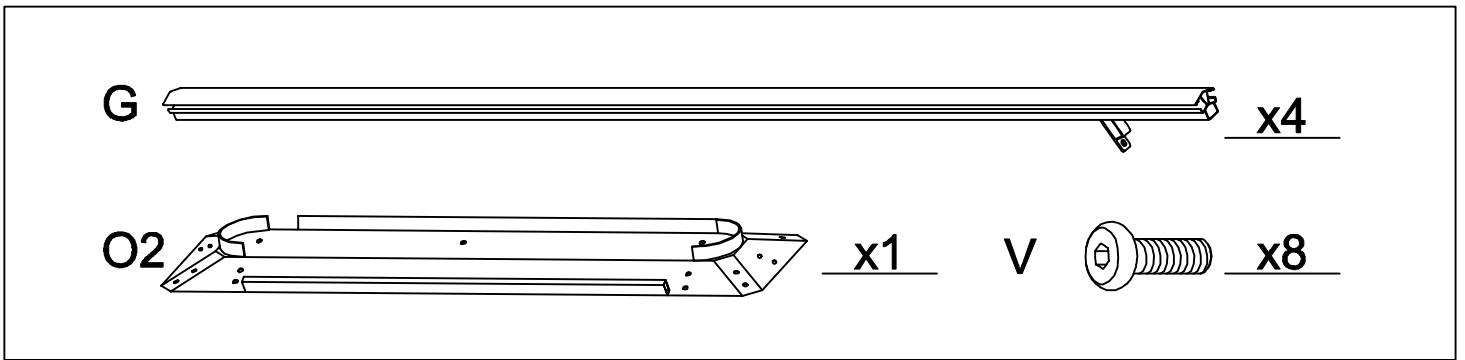
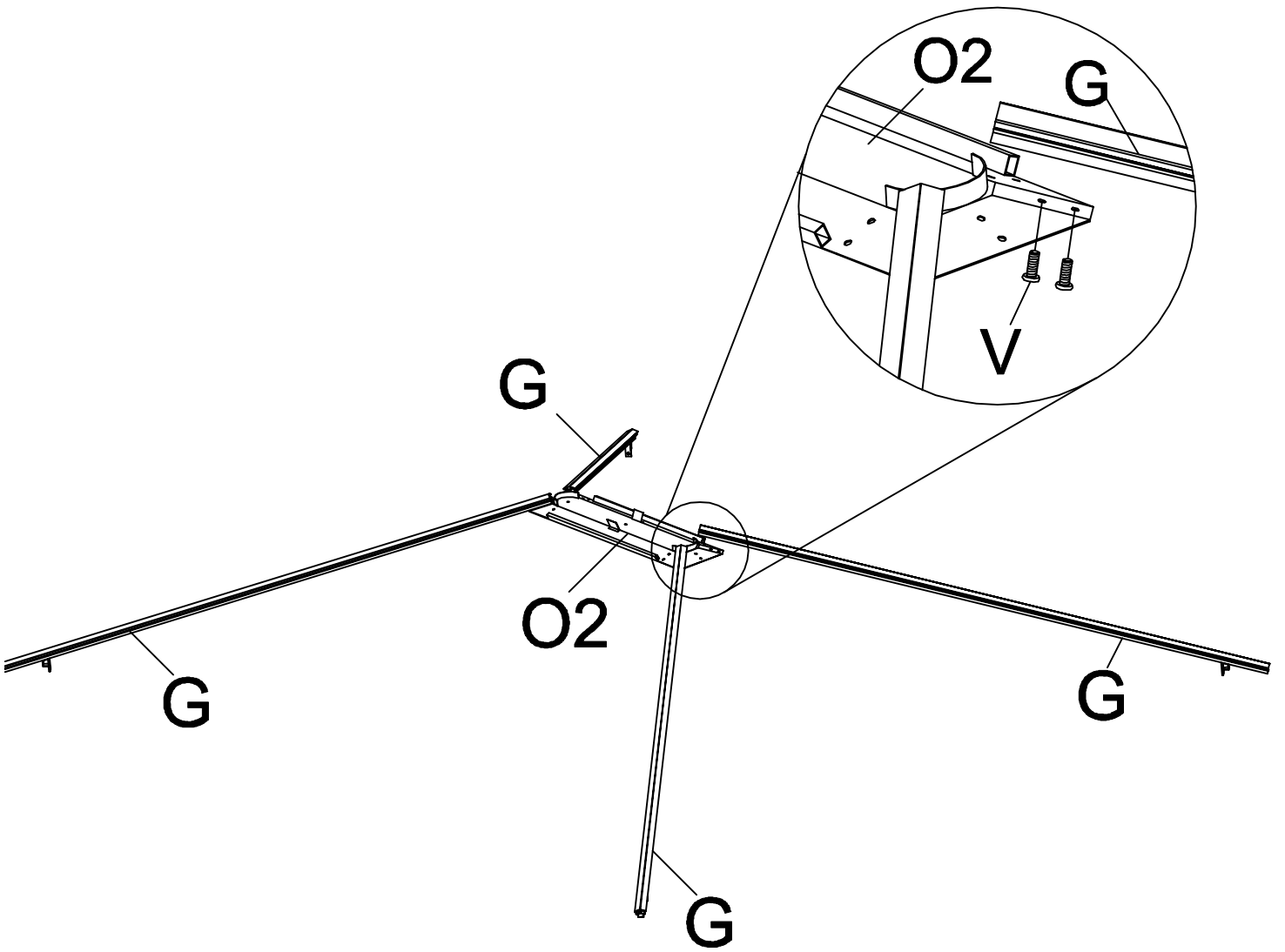


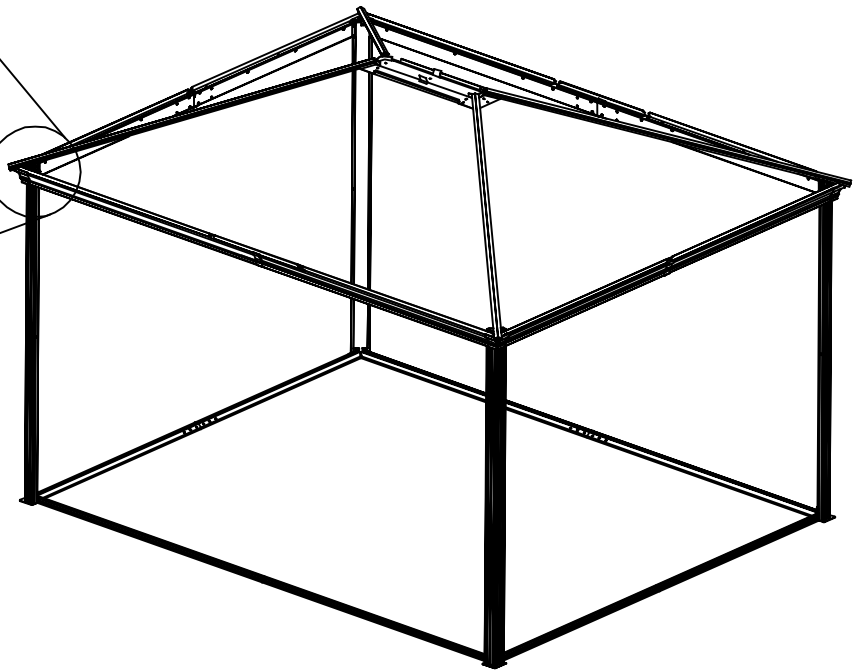
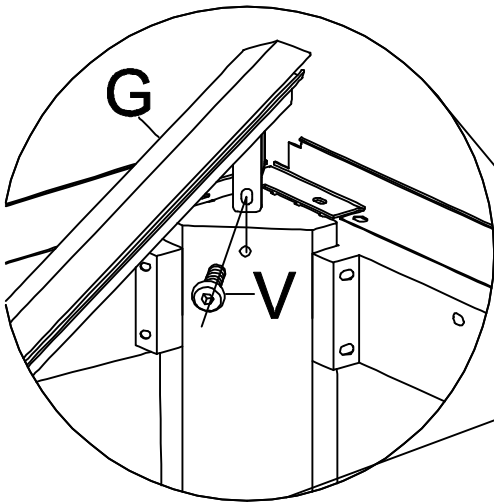
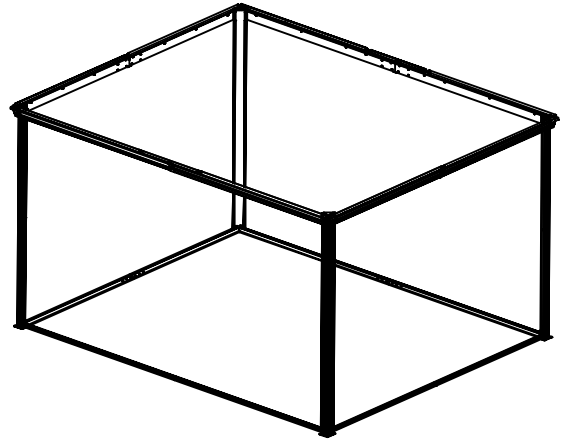
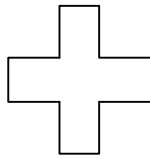
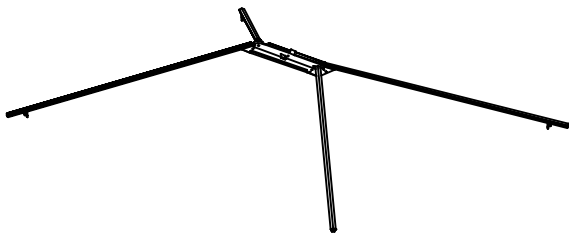


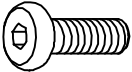
I2		x2	I4		x2
I1		x2	I3		x2
T4		x4	Z		x16
			V		x16

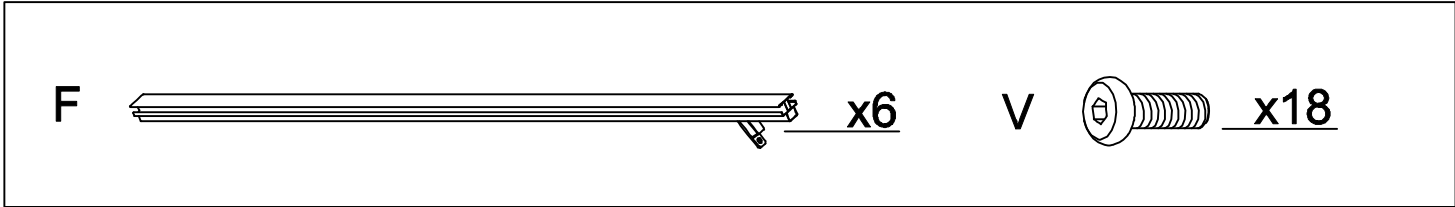
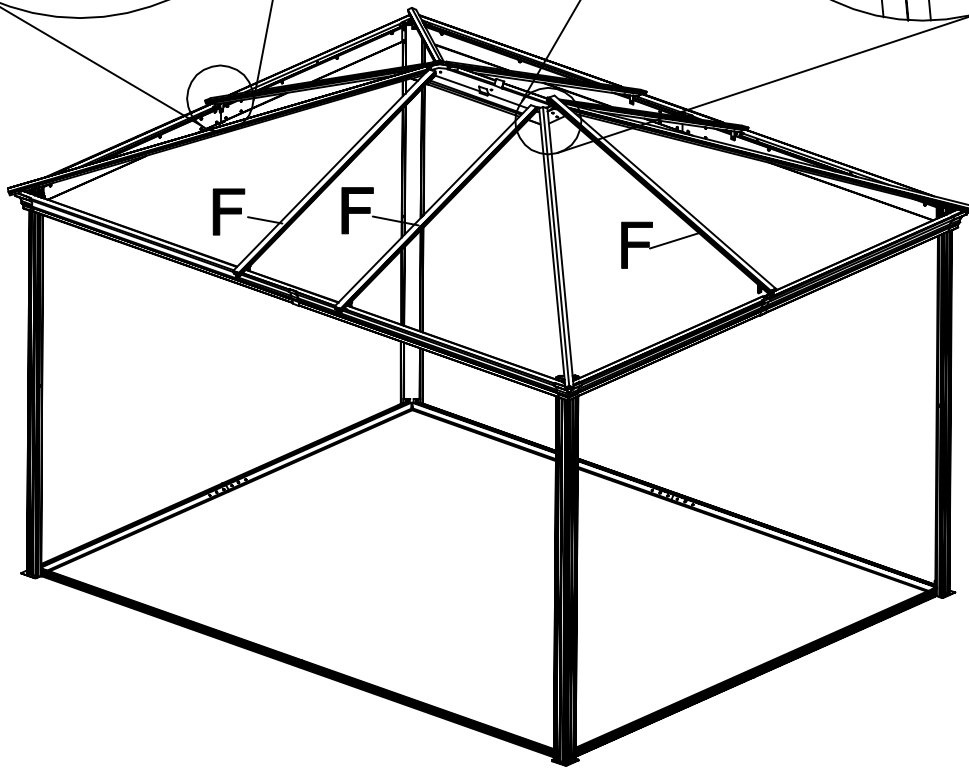
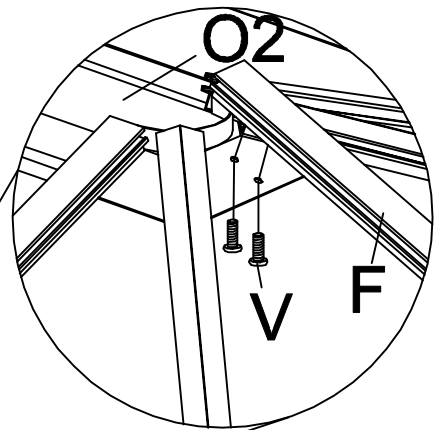
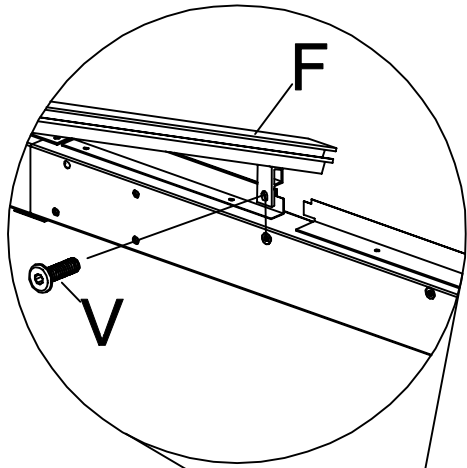


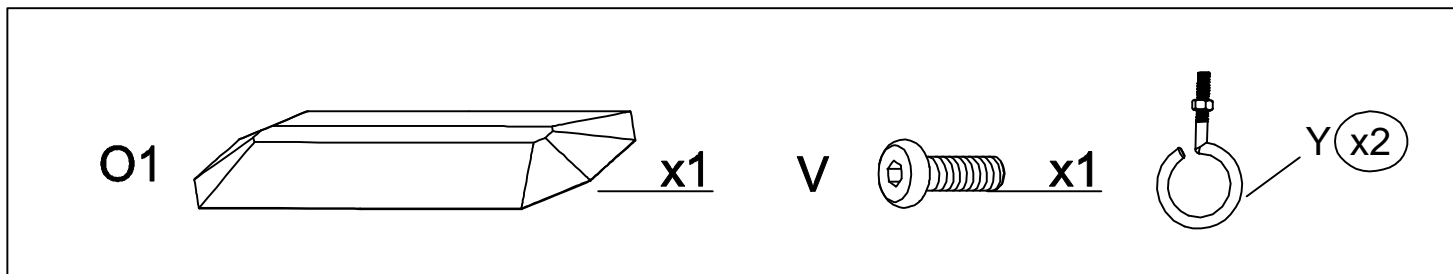
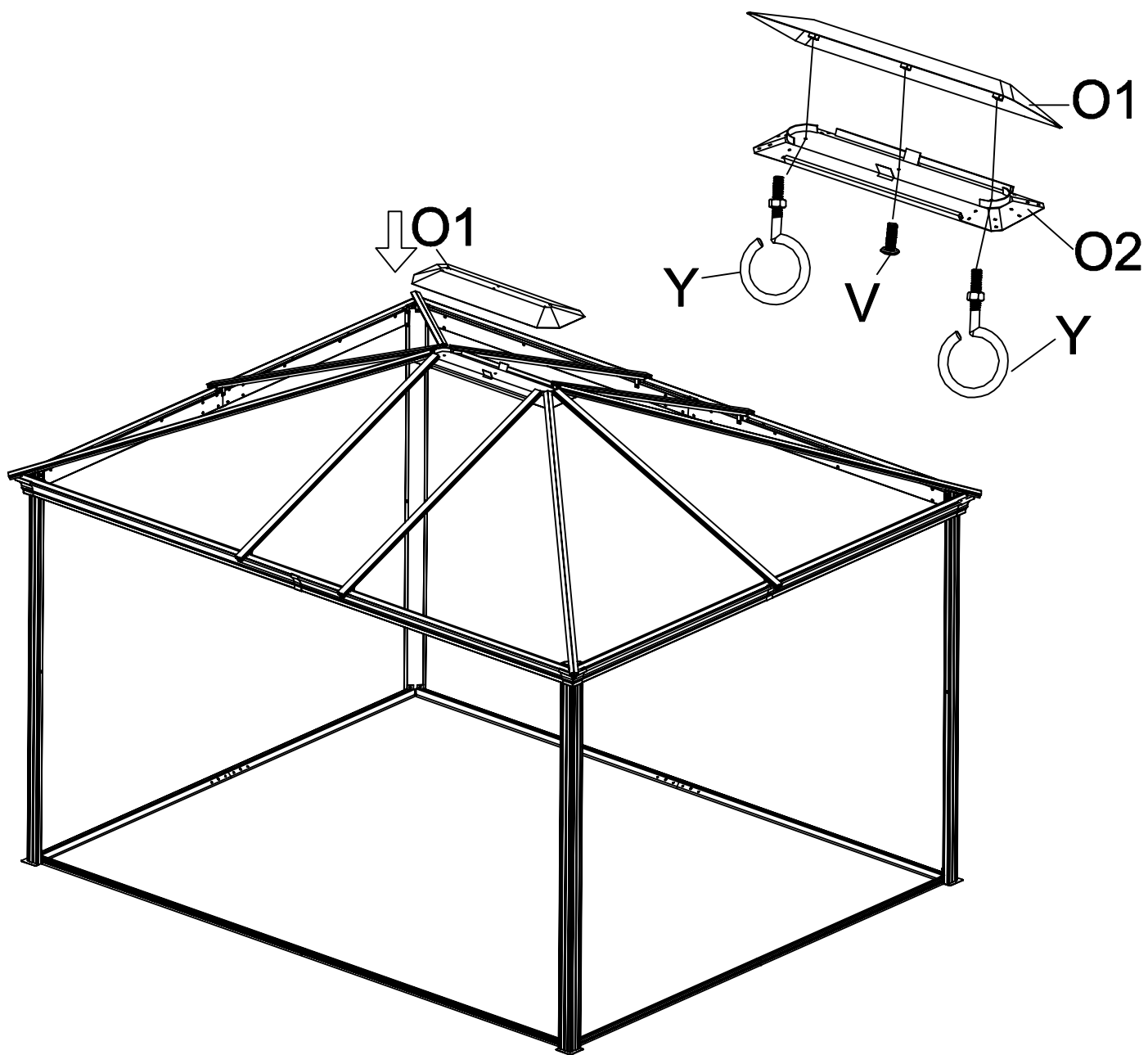
V  x8

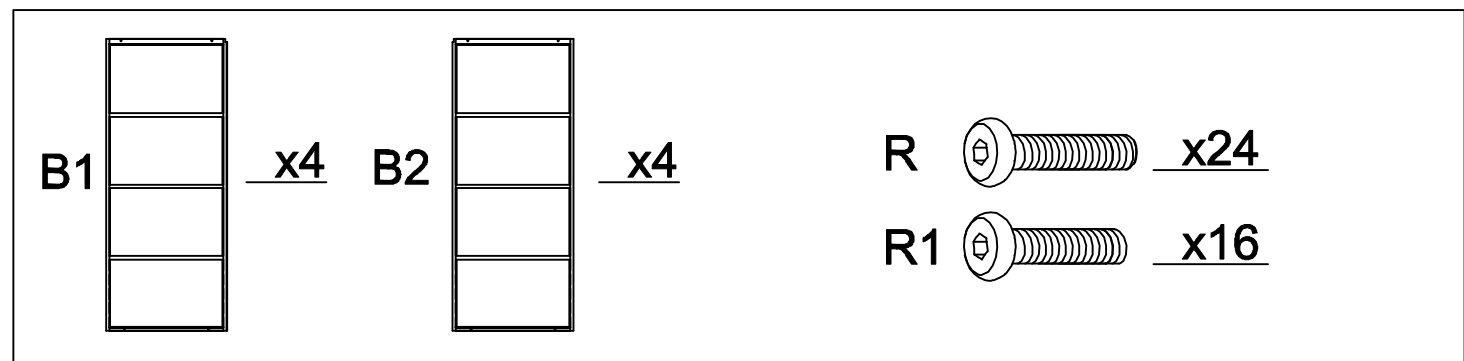
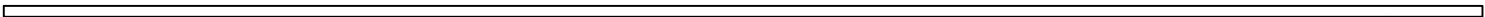


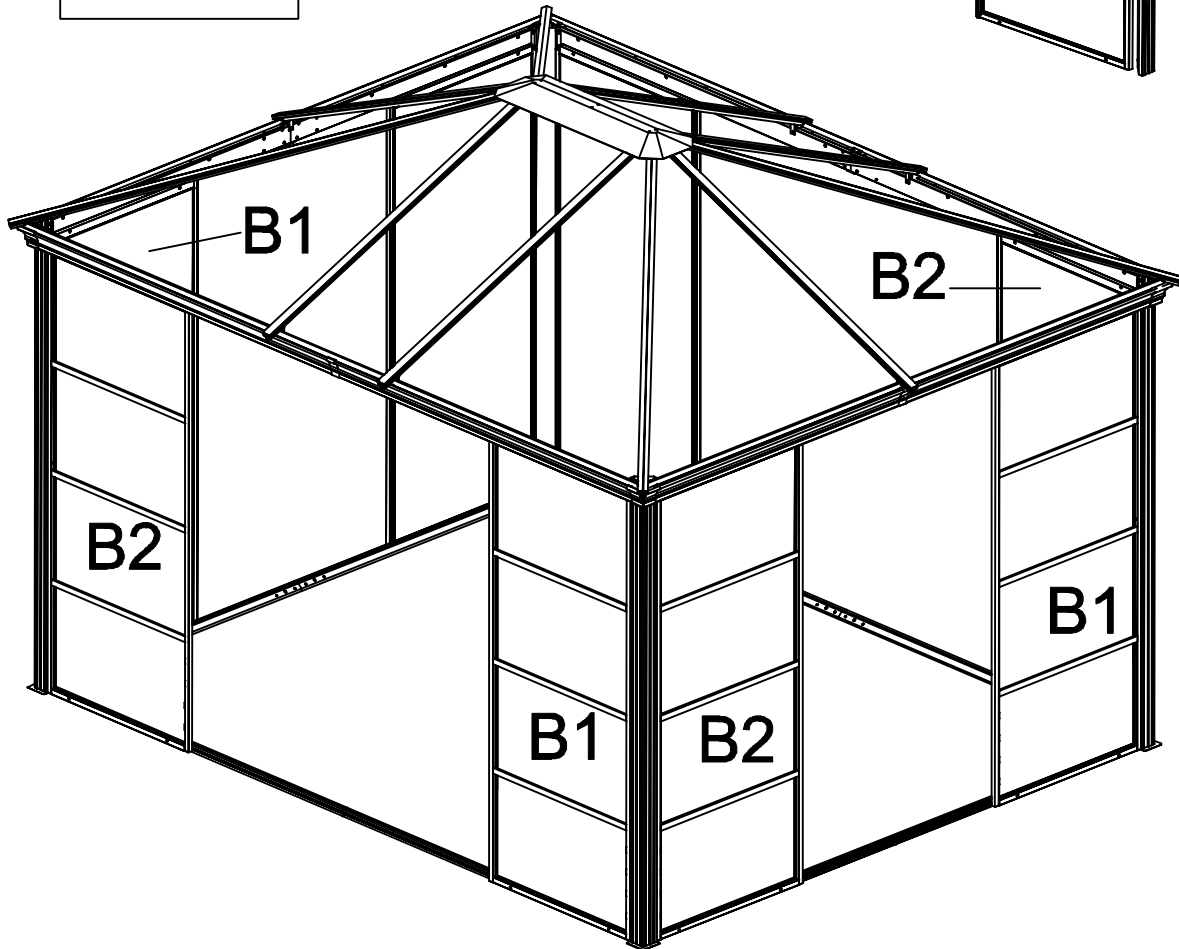
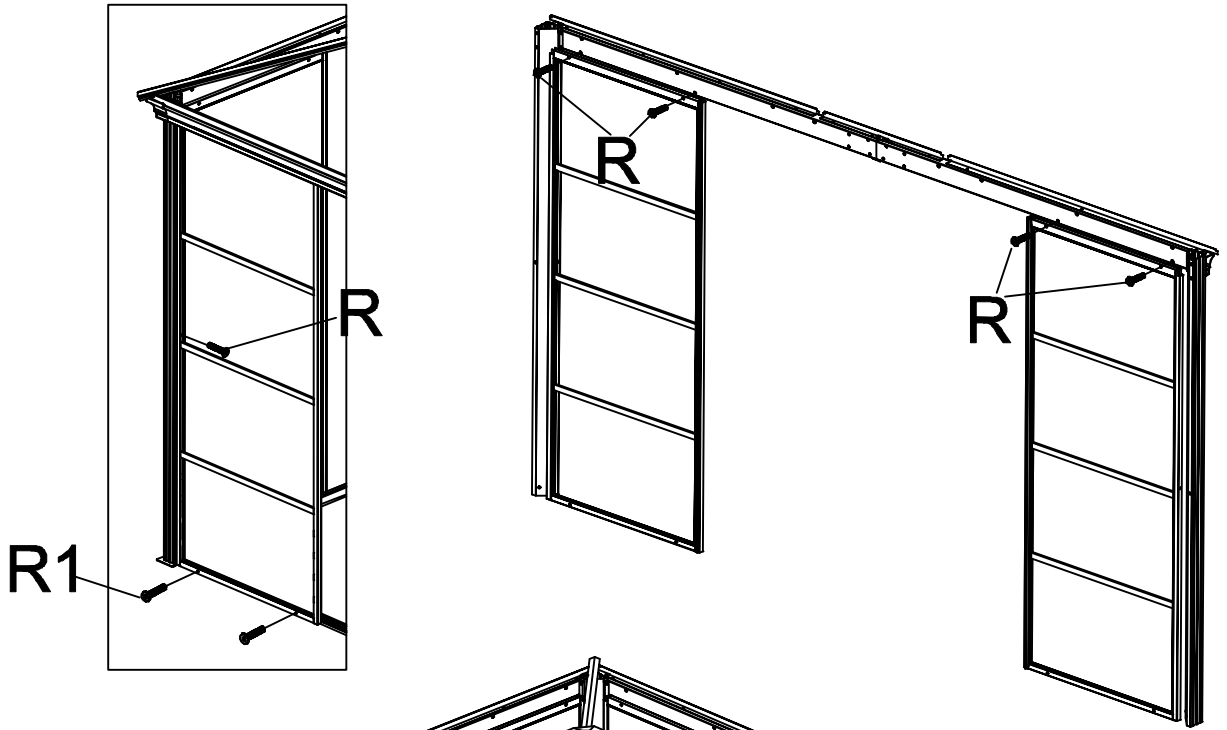


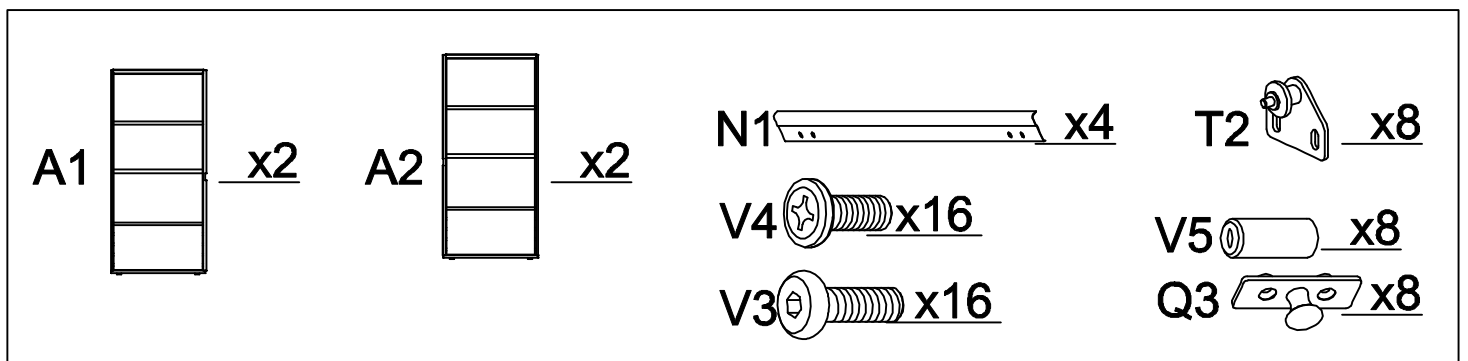
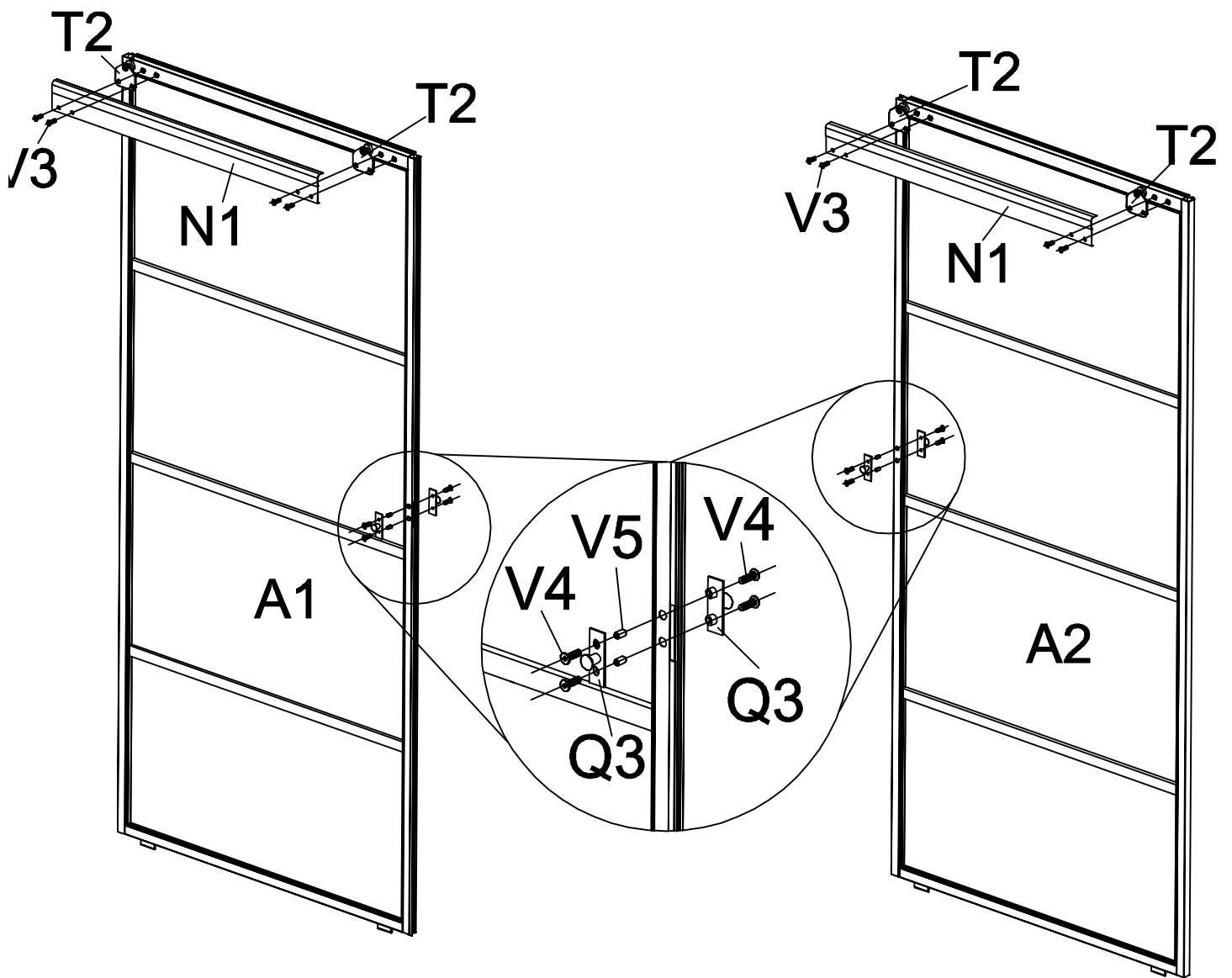
V  x4

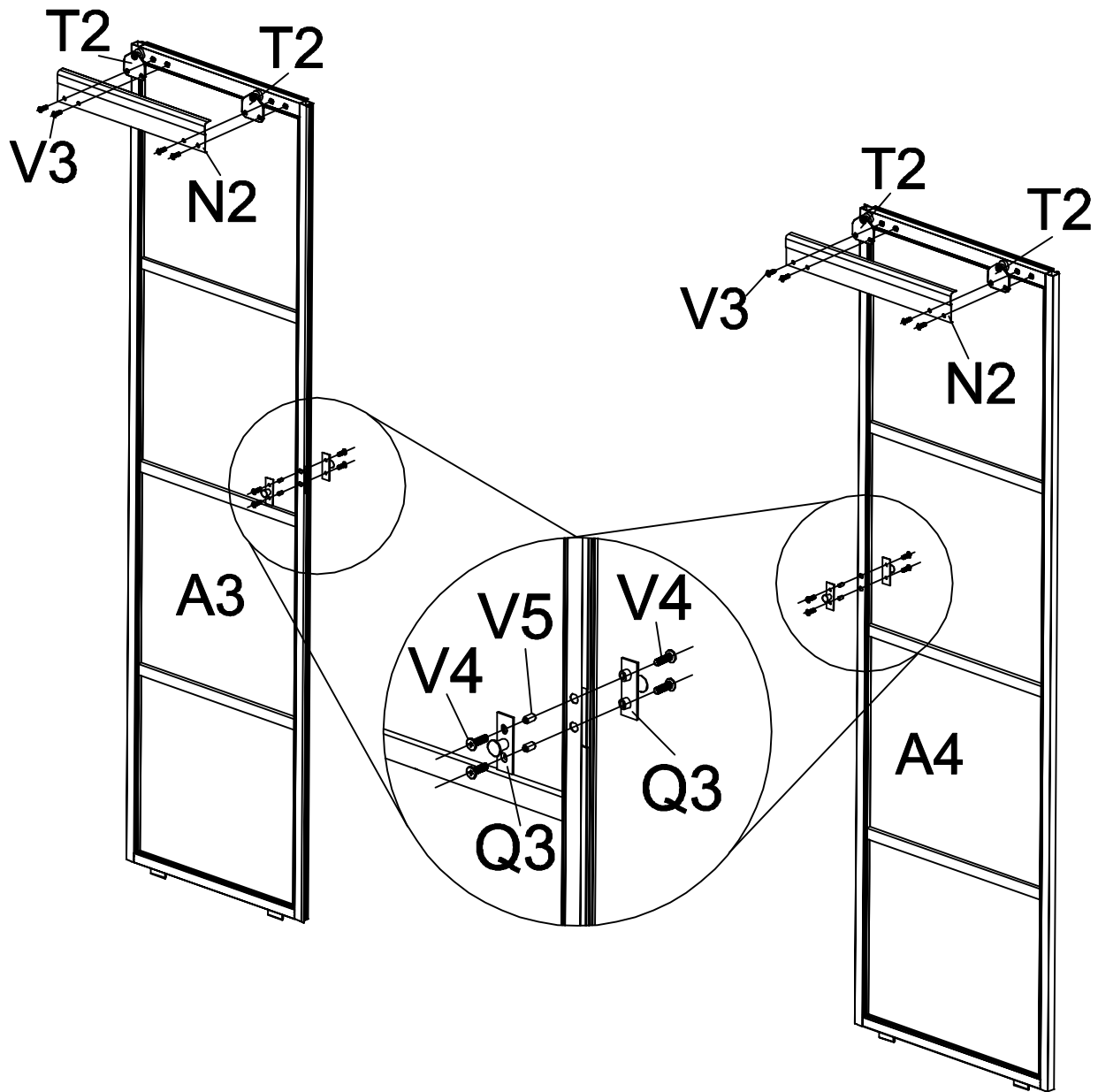


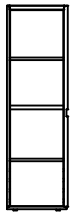
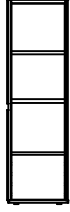
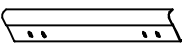



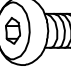



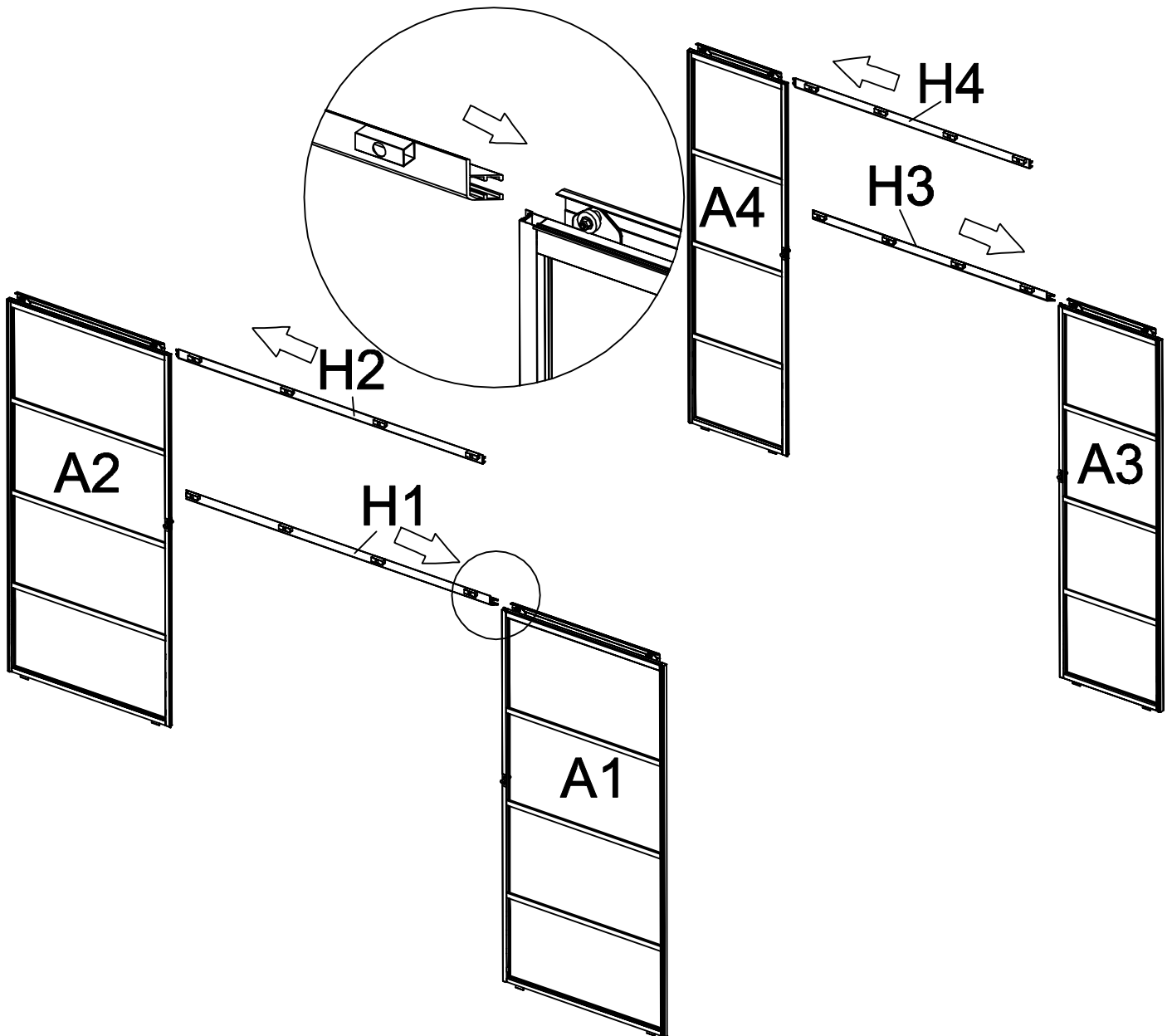








A3		x2	A4		x2	N2		x4	T2		x8
						V4		x16	V5		x8
						V3		x16	Q3		x8

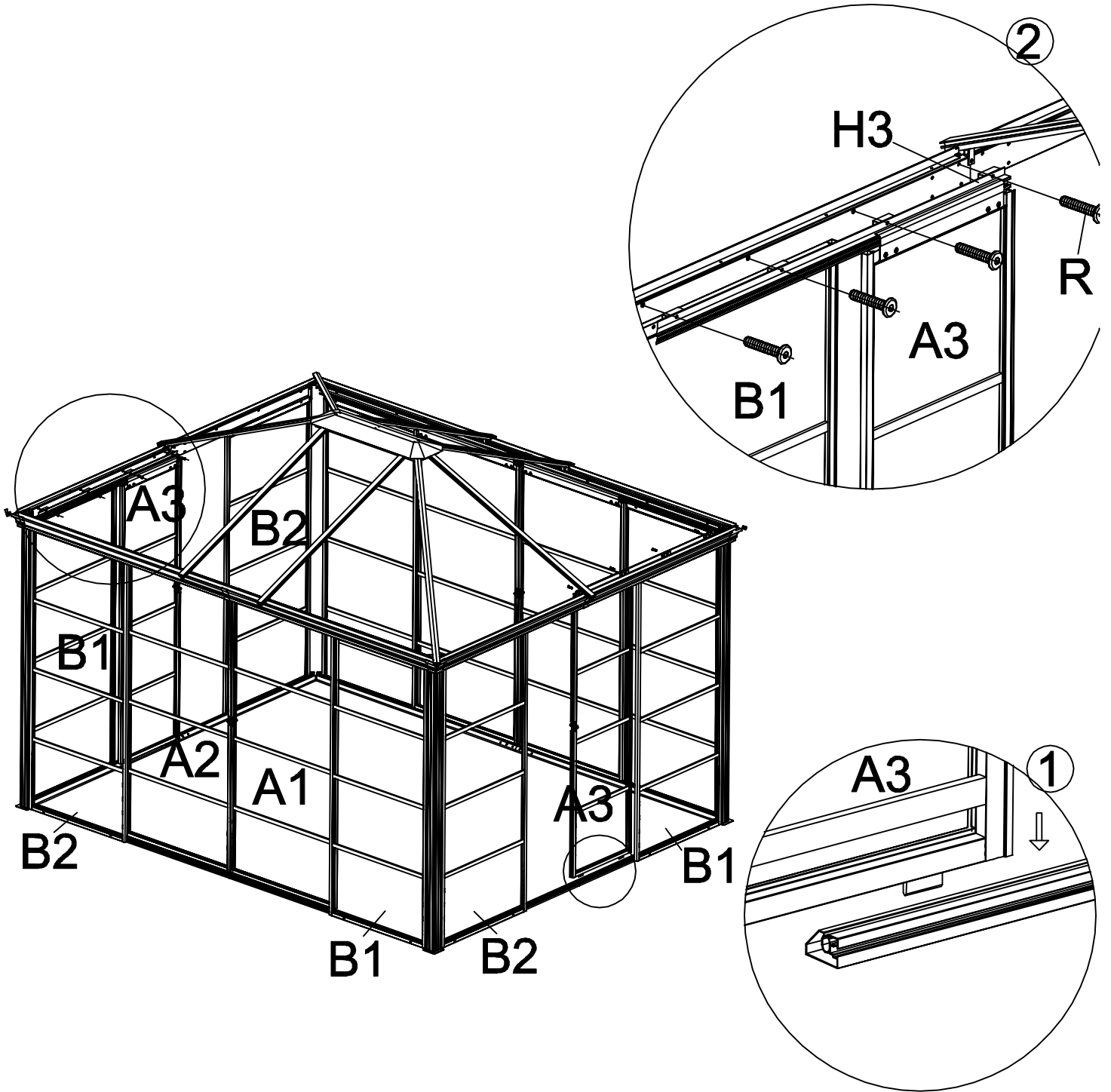


H1  x2

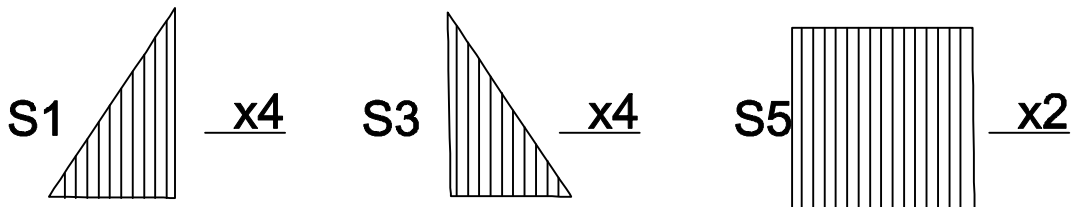
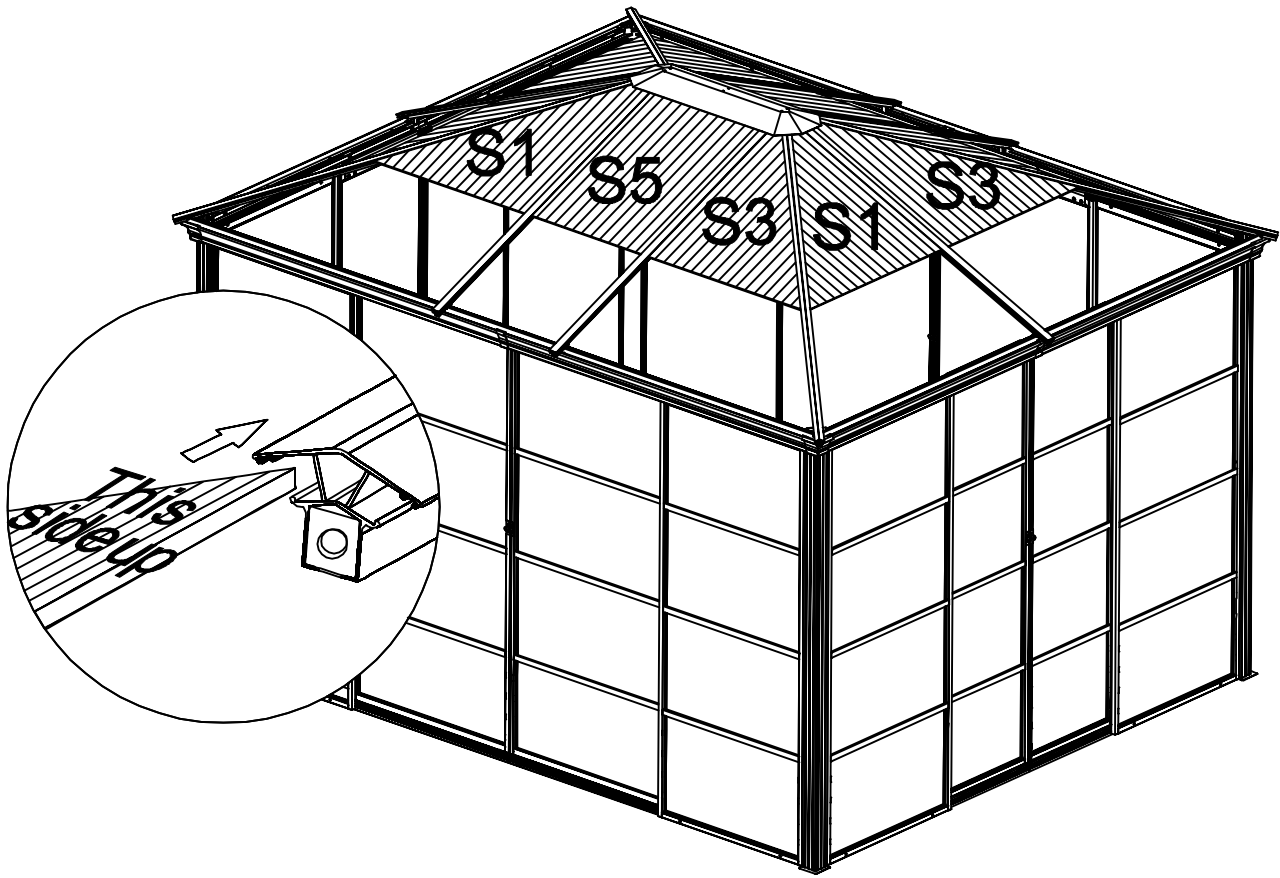
H3  x2

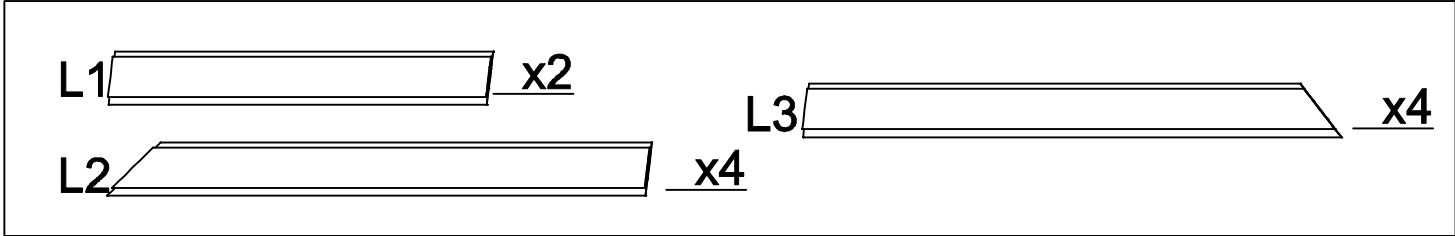
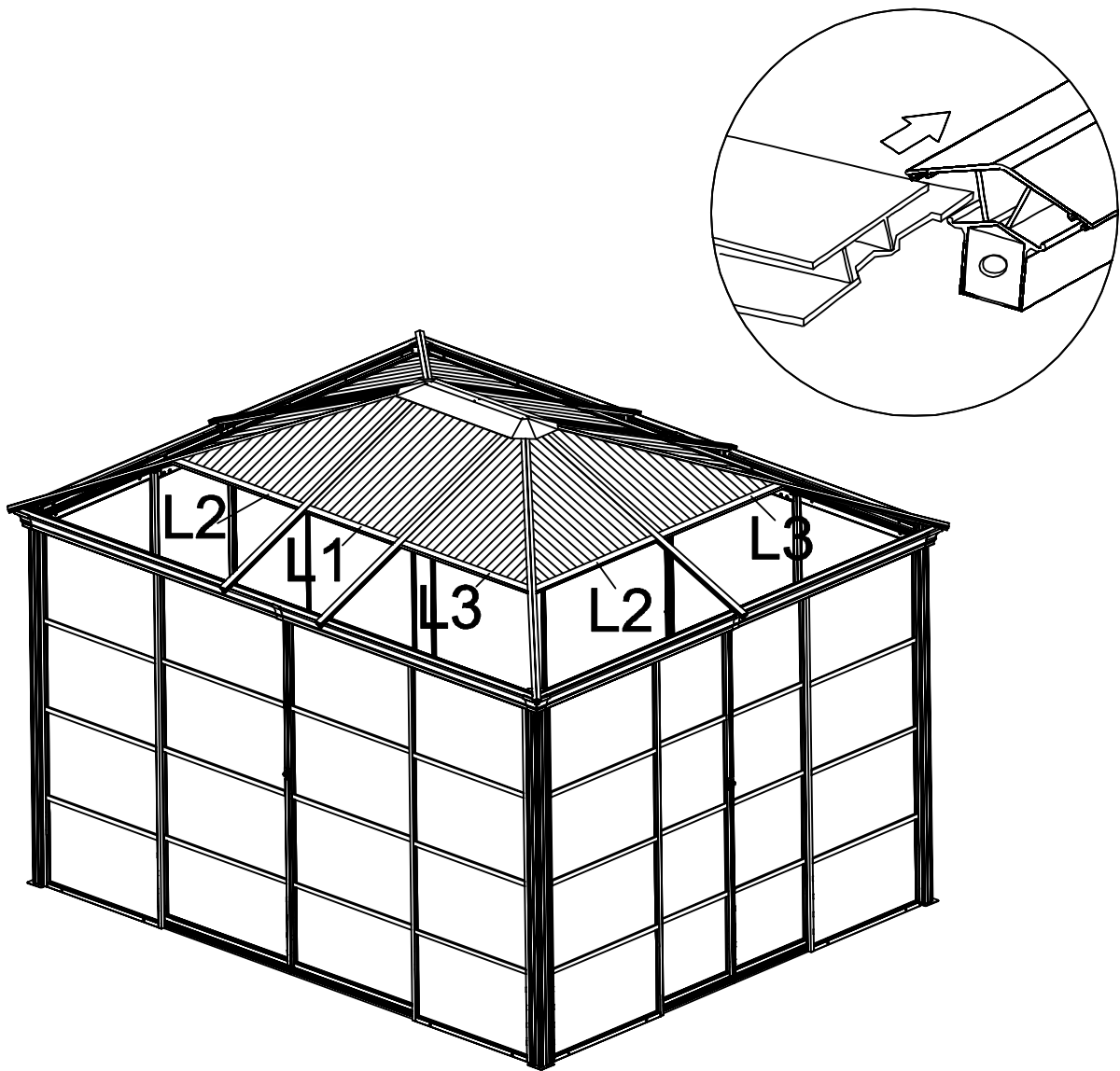
H2  x2

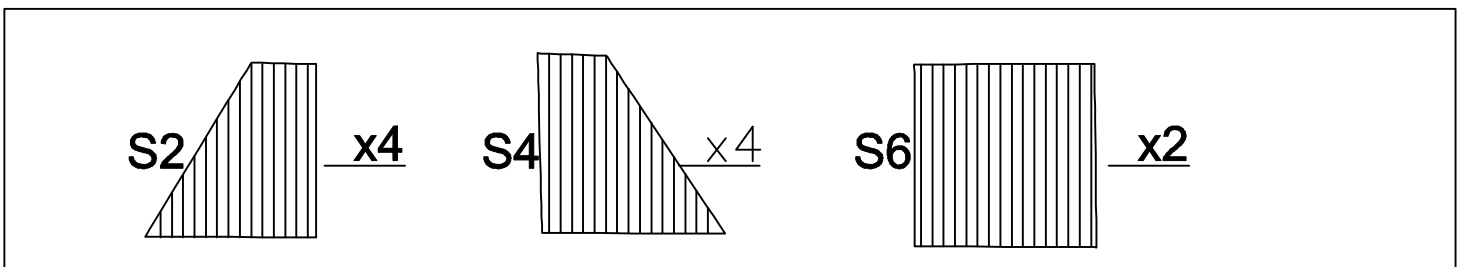
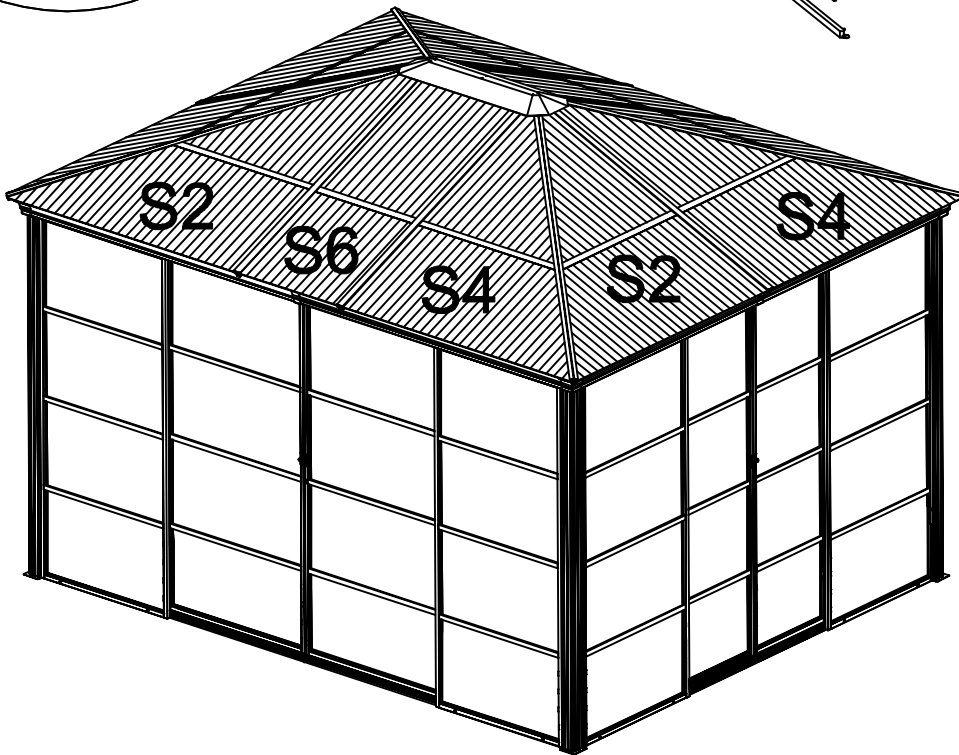
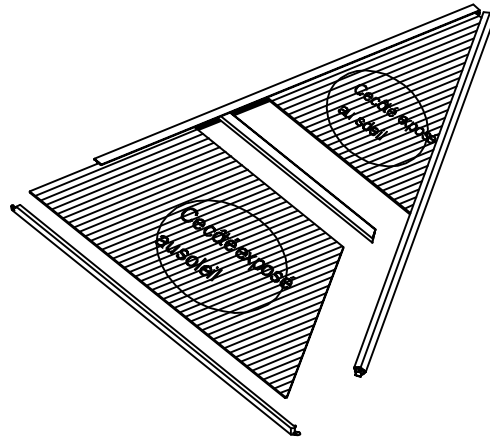
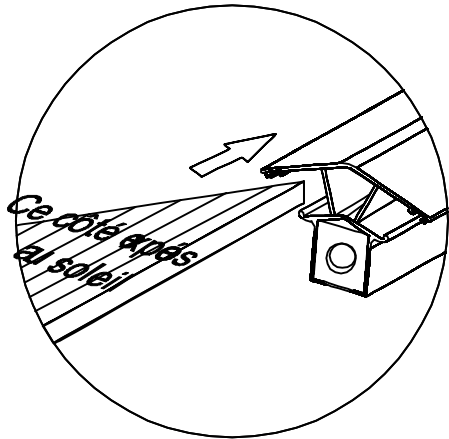
H4  x2

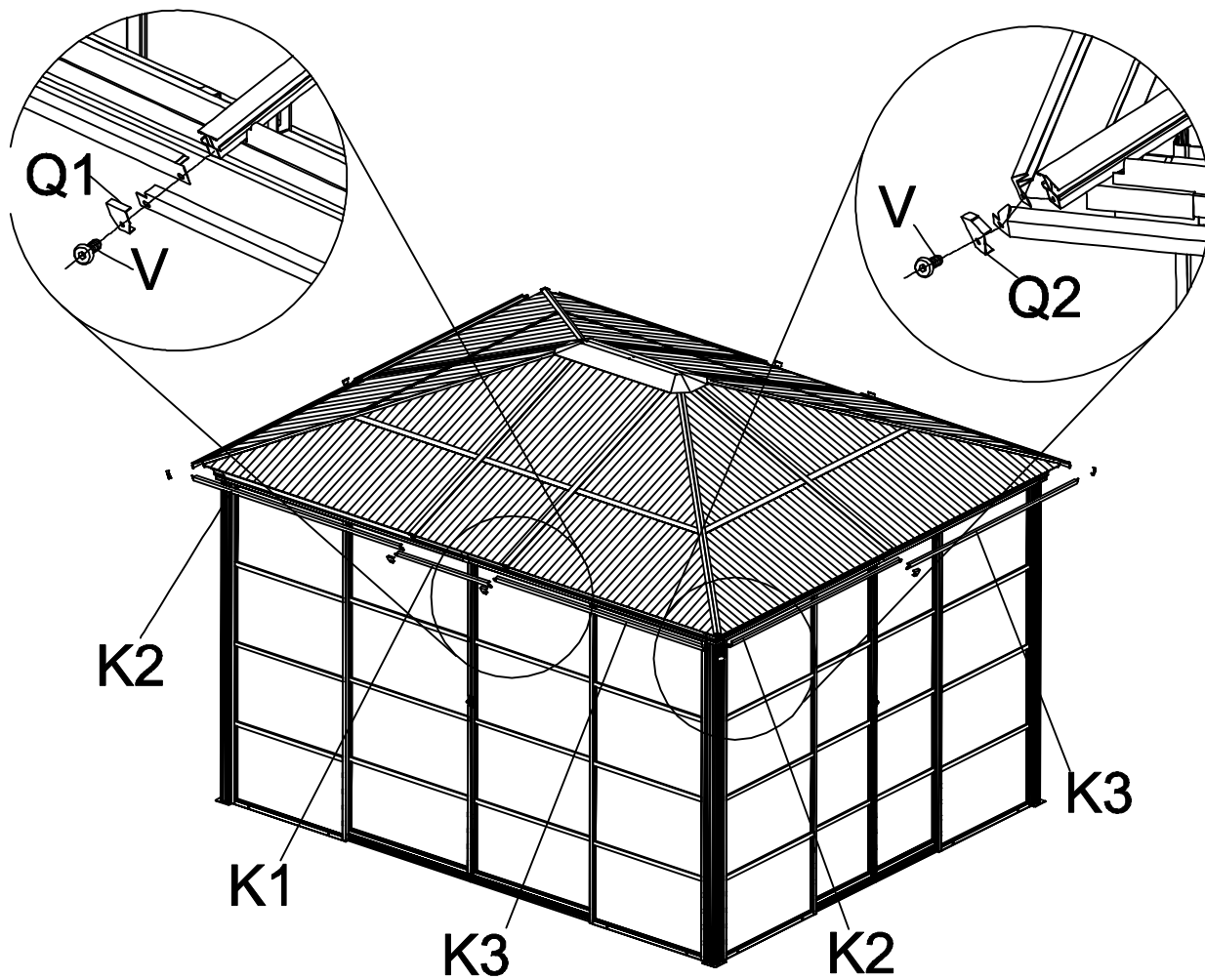






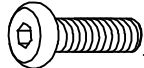
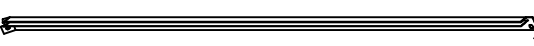
R  X32

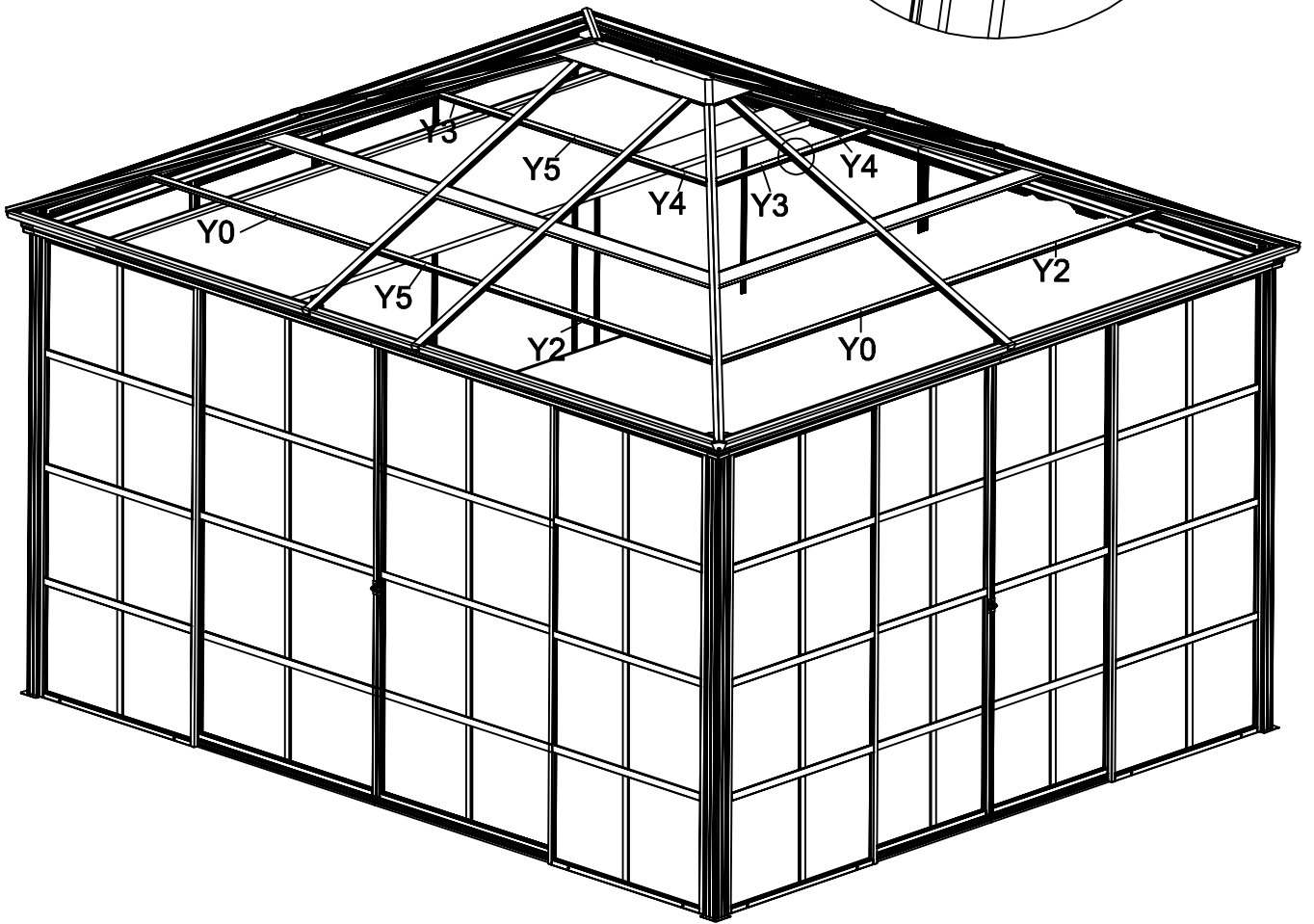
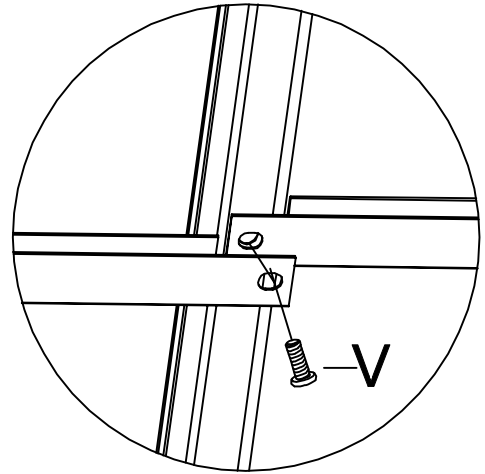


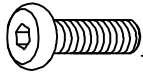






K1		x2	Q1		x6	Q2		x4
K2		x4	V		x10			
K3		x4						



V  x20